

ELKAY® SPECIFICATIONS

Harmony® Undermount Single Bowl Sink Model EGUH1317

GENERAL

Fine quality sink formed of #18 (1.2mm) gauge, type 304 nickel bearing stainless steel. Undermount.

DESIGN FEATURES

Bowl Depth: 8" (203mm).

Finish: Exposed surfaces are hand polished to a Soft Highlighted Satin finish.

Underside: Fully protected by heavy duty Sound Guard® undercoating to dampen sound and reduce condensation.

OTHER

Drain Opening: 3-1/2" (89mm).

Note: All Elkay undermount sinks are designed to affix to the underside of any solid surface countertop.

Sink complies with ASME A112.19.3-2008 / CSA B45.4-08



These sinks are listed by the International Association of Plumbing and Mechanical Officials as meeting the requirements of the Uniform Plumbing Code.

OPTIONAL ACCESSORIES

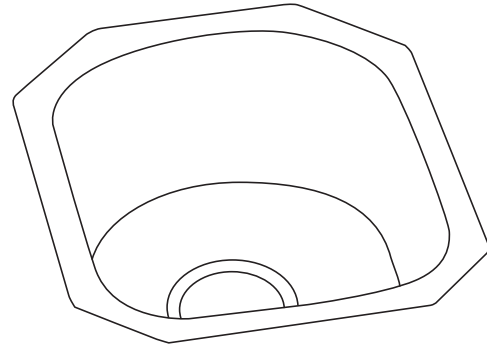
Bottom Grid: LKWOBG1115SS

Drain: LK99

Mounting Clip: LKUCLIP8

Rinsing Basket: LKWWRB1115SS

Utensil Caddy for Rinsing Basket: LKWUCSS



Model EGUH1317

SINK PACKAGE(S)

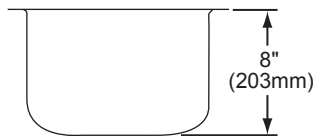
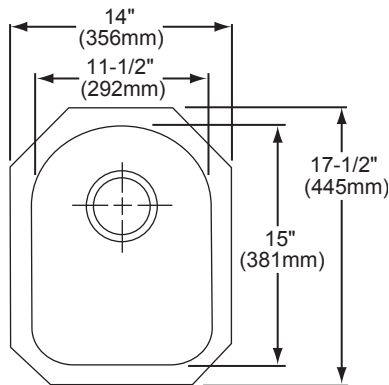
MODEL	SINK	BOTTOM GRID	QTY	DRAIN	QTY
EGUH1317DBG	EGUH1317	LKWOBG1115SS	1	LK99	1

SINK DIMENSIONS*

Model Number	Overall		Inside Bowl			Cutout in Countertop	Minimum Cabinet Size
	L	W	L	W	D		
EGUH1317	14 (356mm)	17 1/2 (445mm)	11 1/2 (292mm)	15 (381mm)	8 (203mm)	See Template**	18 (457mm)

*Length is left to right. Width is front to back.

**Template is packed with every sink.

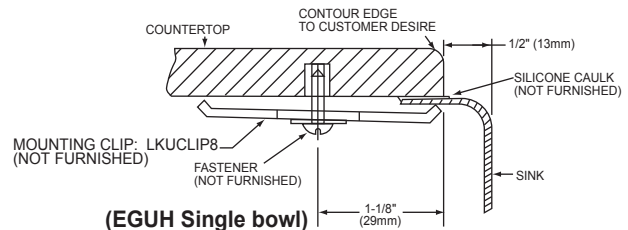


Model EGUH1317 Illustrated

In keeping with our policy of continuing product improvement, Elkay reserves the right to change product specifications without notice. Please visit elkayusa.com for most current version of Elkay product specification sheets.

Installation Profile of EGUH Single Bowl Models

The template provided with each EGUH sink provides the only type of installation recommended by Elkay.



(EGUH Single bowl)

This specification describes an Elkay product with design, quality and functional benefits to the user. When making a comparison of other producers' offerings, be certain these features are not overlooked.