

Lavatory Sink, Wall Mounted
Models ELV1817 and ELV1817CS3



SPECIFICATIONS

GENERAL

#18 gauge, type 304 (18-8) stainless steel wash-up lavatory. Oval compartment with anti-splash rim. All exposed surfaces are hand blended to a uniform lustrous satin finish. Unexposed underside is fully undercoated to prevent condensation and dampen sound. Furnished with stainless steel supporting brackets and stainless steel stamped housing with rubber gasket. Meets ADA requirements when used with the LKAD174 drain.

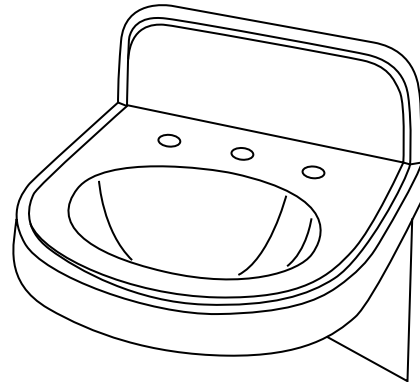
SPECIFY FAUCET DRILLINGS AND LOCATION.

DIMENSIONS

Model Number	A		B		C		D		E	
	in.	mm	in.	mm	in.	mm	in.	mm	in.	mm
ELV1817	18	457	17 ¹ / ₁₆	433	13 ⁵ / ₈	346	10 ¹ / ₈	257	5 ¹³ / ₁₆	148
ELV1817CS3	18	457	17 ¹ / ₁₆	433	13 ⁵ / ₈	346	10 ¹ / ₈	257	5 ¹³ / ₁₆	148

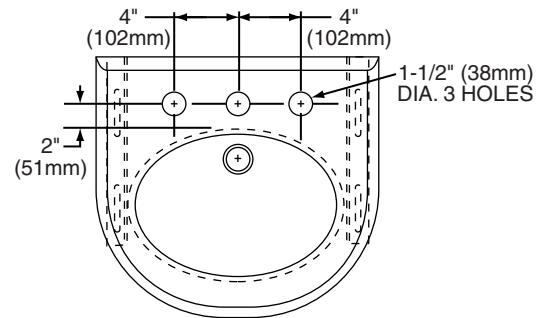
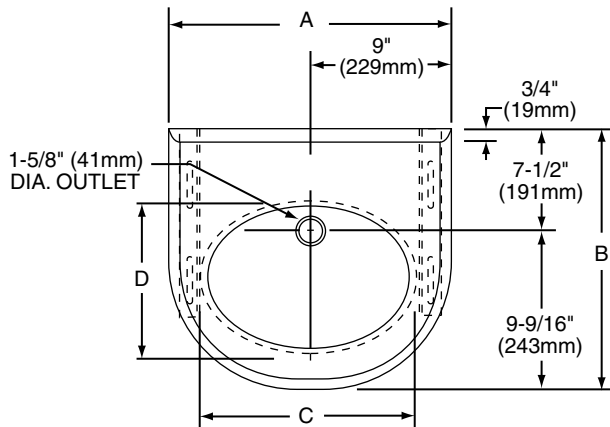


ADA Compliant

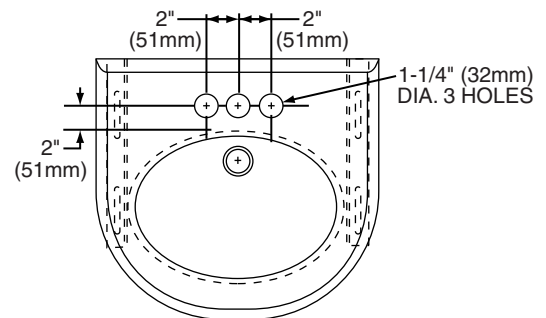
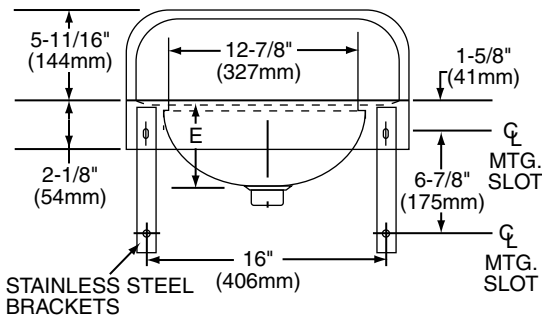


Model ELV18173

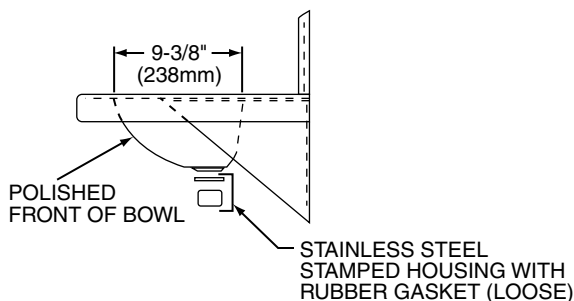
HOLE DRILLING CONFIGURATIONS



Model ELV18173



Model ELV1817CS3



In keeping with our policy of continuing product improvement, Elkay reserves the right to change product specifications without notice.