

**Lustertone® Undermount Triple Bowl Sink
Model ELUH3920**



SPECIFICATIONS

GENERAL

Highest quality sink seamlessly drawn of #18 gauge, type 304 (18-8) nickel bearing stainless steel. Underside of sink is fully protected by heavy duty Sound Guard™ undercoating. Designed to accept waste disposer.

DESIGN FEATURES

Bowl Depth: 10" (Left Bowl), 5-9/16" (Center), 7-1/2" (Right Bowl).

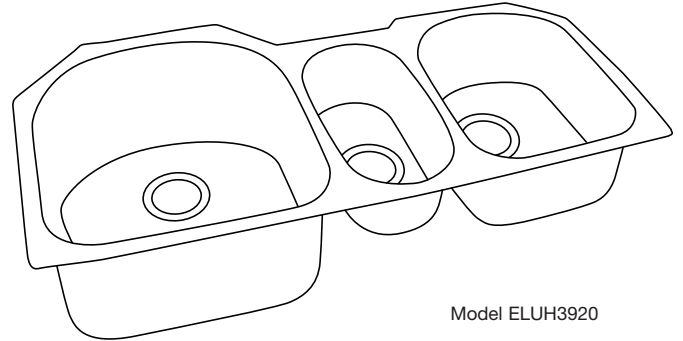
Finish: Exposed surfaces are hand blended to a lustrous highlighted satin finish.

Underside: Fully protected by heavy duty Sound Guard™ undercoating to prevent condensation and deaden sound.

OTHER

Drain Openings: 3-1/2".

Note: All Elkay custom design undermount sinks are designed to affix easily to the underside of any solid surface countertop.



Model ELUH3920

OPTIONAL ACCESSORIES

Rinsing Baskets: LKRB1614 and LKERBSS.

Bottom Grid: LKOBG1821.

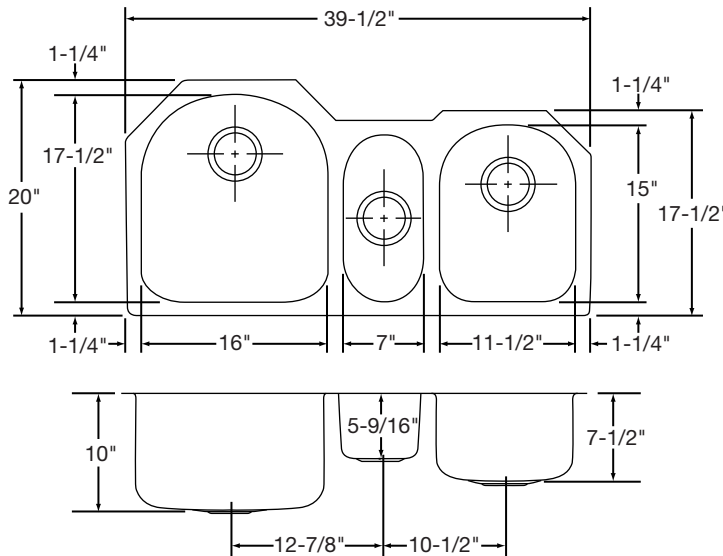
Complies with ANSI Standard A112.19.3M.

SINK DIMENSIONS (INCHES)*

Model Number	Overall		Inside Left Bowl			Inside Center Bowl			Inside Right Bowl			Cutout in Countertop See Template**	Ship. Wt. Lbs.
	L	W	L	W	D	L	W	D	L	W	D		
ELUH3920	39 1/2	20	16	17 1/2	10	7	14 1/8	5 9/16	11 1/2	15	7 1/2		30

*Length is left to right. Width is front to back.

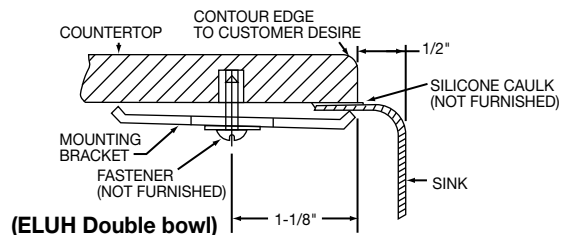
**Template and countertop mounting clips are packed with every sink.



Model ELUH3920 Illustrated

Installation Profile of ELUH Double Bowl Models

The template provided with each ELUH sink provides the only type of installation recommended by Elkay.



ALL DIMENSIONS IN INCHES, TO CONVERT TO MILLIMETERS MULTIPLY BY 25.4.

In keeping with our policy of continuing product improvement, Elkay reserves the right to change product specifications without notice.

This specification describes an Elkay product with design, quality and functional benefits to the user. When making a comparison of other producers' offerings, be certain these features are not overlooked.