

ELKAY® SPECIFICATIONS

Gourmet® Single Bowl Sink Featuring E-Granite, Top Mount Models ELG2522 Series

GENERAL

Molded from Elkay E-Granite which is up to 85% natural quartz and high performance acrylic resins. E-Granite is non-porous and resists staining. E-Granite is hard enough to resist scratches and chips, is naturally sound deadened, and heat resistant. The color is solid throughout the sink and is UV resistant to prevent color-fading in indoor applications. Top mount.

DESIGN FEATURES

Bowl Depth: 9-1/2" (241mm).

Rim Height: 3/8" (10mm).

Material: Elkay E-Granite.

Color Options with natural accents: Black (BK), Bisque (BQ), Mocha (MC) or White (WH).

OTHER

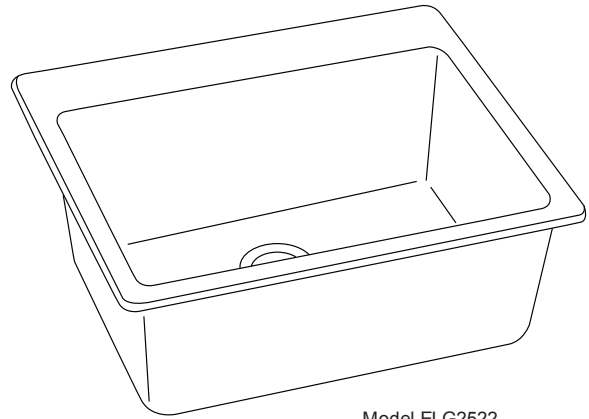
Drain Opening: 3-1/2" (89mm).

Note: Faucet holes are pre-scored for flexible installation. Installer can punch up to 4 faucet holes.

These sinks comply with ANSI Z124.6 and CSA B45-02.



These sinks are listed by the International Association of Plumbing and Mechanical Officials as meeting the requirements of the Uniform Plumbing Code and the National Plumbing Code of Canada.

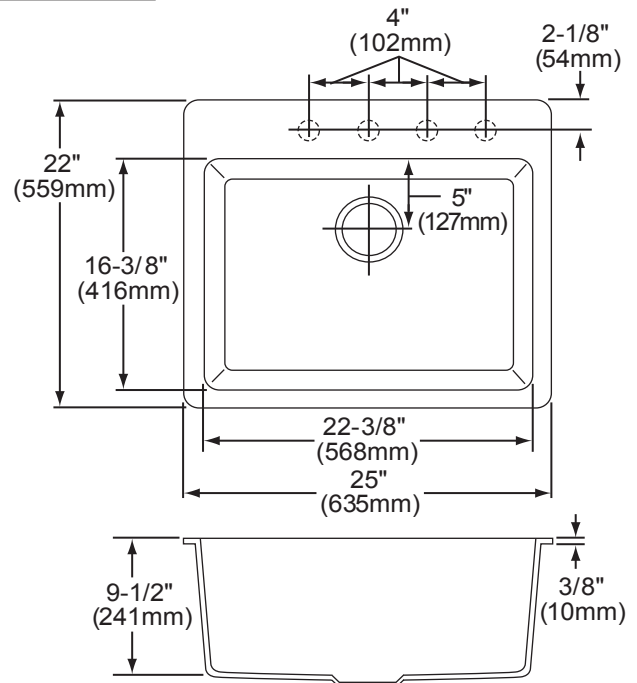
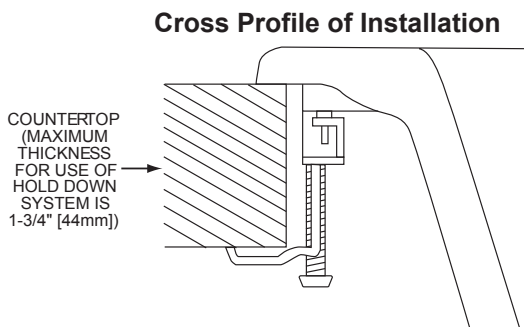


Model ELG2522

SINK DIMENSIONS*

Model Number	Overall		Inside Bowl			Cutout in Countertop		No. of Pre-scored 1 1/2" (38mm) Dia. Faucet Holes 4" (102mm) Centers	Minimum Cabinet Size
	L	W	L	W	D	L	W		
ELG2522BK	25 (635mm)	22 (559mm)	22 3/8 (568mm)	16 3/8 (416mm)	9 1/2 (241mm)	Use sink upside down as template and cut 5/16" (8mm) inside sink outline	4	30 (762mm)	
ELG2522BQ	25 (635mm)	22 (559mm)	22 3/8 (568mm)	16 3/8 (416mm)	9 1/2 (241mm)				
ELG2522MC	25 (635mm)	22 (559mm)	22 3/8 (568mm)	16 3/8 (416mm)	9 1/2 (241mm)				
ELG2522WH	25 (635mm)	22 (559mm)	22 3/8 (568mm)	16 3/8 (416mm)	9 1/2 (241mm)				

*Length is left to right. Width is front to back.



In keeping with our policy of continuing product improvement, Elkay reserves the right to change product specifications without notice. Please visit elkayusa.com for most current version of Elkay product specification sheets.

This specification describes an Elkay product with design, quality and functional benefits to the user. When making a comparison of other producers' offerings, be certain these features are not overlooked.

Elkay

elkayusa.com

2222 Camden Court
Oak Brook, IL 60523

Printed in U.S.A.
©2009 Elkay

(Rev. 05/09) 1-283B

ELKAY® SPECIFICATIONS

**Gourmet® Single Bowl Sink
Featuring E-Granite, Top Mount
Models ELG2522 Series**

OPTIONAL ACCESSORIES

Drains: LKKDT35, LKD35, LKS35

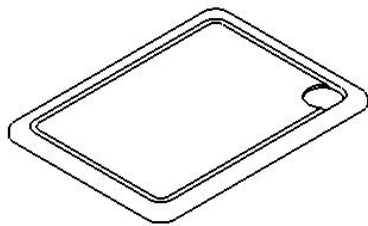
Utensil Caddy for Rinsing Basket: LKWUCSS

For Additional Accessories see table below

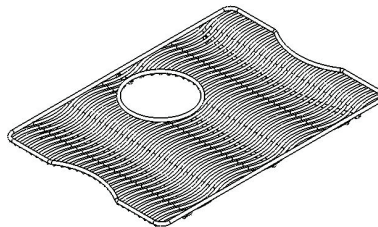
Model Number	Description	Overall			Material/Finish
		L	W	Depth/Thickness	
LKCBEG2217HW	Cutting Board**	23-1/4" (591mm)	17-3/8" (441mm)	1" (25mm)	Hardwood
LKWOBG2217SS	Bottom Grid	19-3/4" (503mm)	13-3/4" (350mm)	1-1/8" (29mm)	Polished stainless steel
LKWRB2217SS	Rinsing Basket	19-3/4" (503mm)	13-3/4" (350mm)	5 3/8" (137mm)	Polished stainless steel

*Length is left to right. Width is front to back.

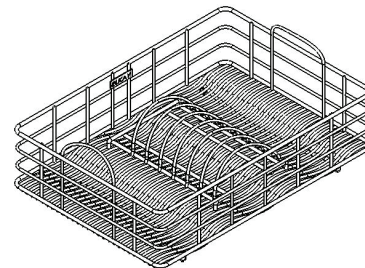
** Fits countertop opening



LKCBEG2217HW



LKWOBG2217SS



LKWRB2217SS

In keeping with our policy of continuing product improvement, Elkay reserves the right to change product specifications without notice. Please visit elkayusa.com for most current version of Elkay product specification sheets.

This specification describes an Elkay product with design, quality and functional benefits to the user. When making a comparison of other producers' offerings, be certain these features are not overlooked.

Elkay

elkayusa.com

2222 Camden Court
Oak Brook, IL 60523

Printed in U.S.A.
©2009 Elkay

(Rev. 05/09) 1-283B