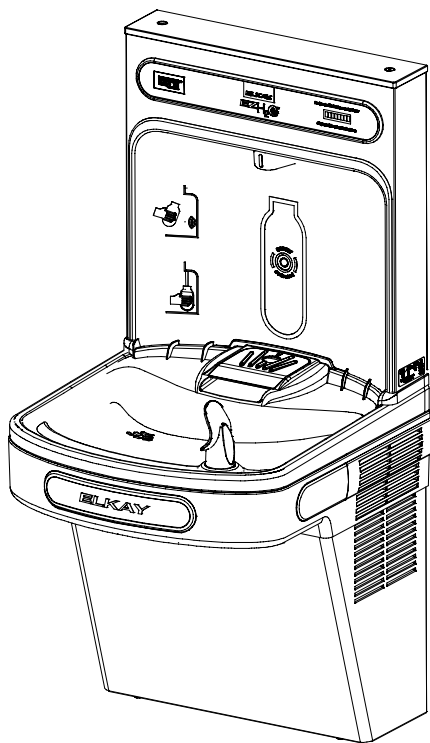




INSTALLATION, CARE & USE MANUAL

EZS8WS EZH2O™ BOTTLE FILLING STATION & COOLER



IMPORTANT

**THIS IS AN INDOOR APPLICATION ONLY.
ALL SERVICE TO BE PERFORMED BY AN
AUTHORIZED SERVICE PERSON.**

TOOLS REQUIRED

BUT NOT PROVIDED:

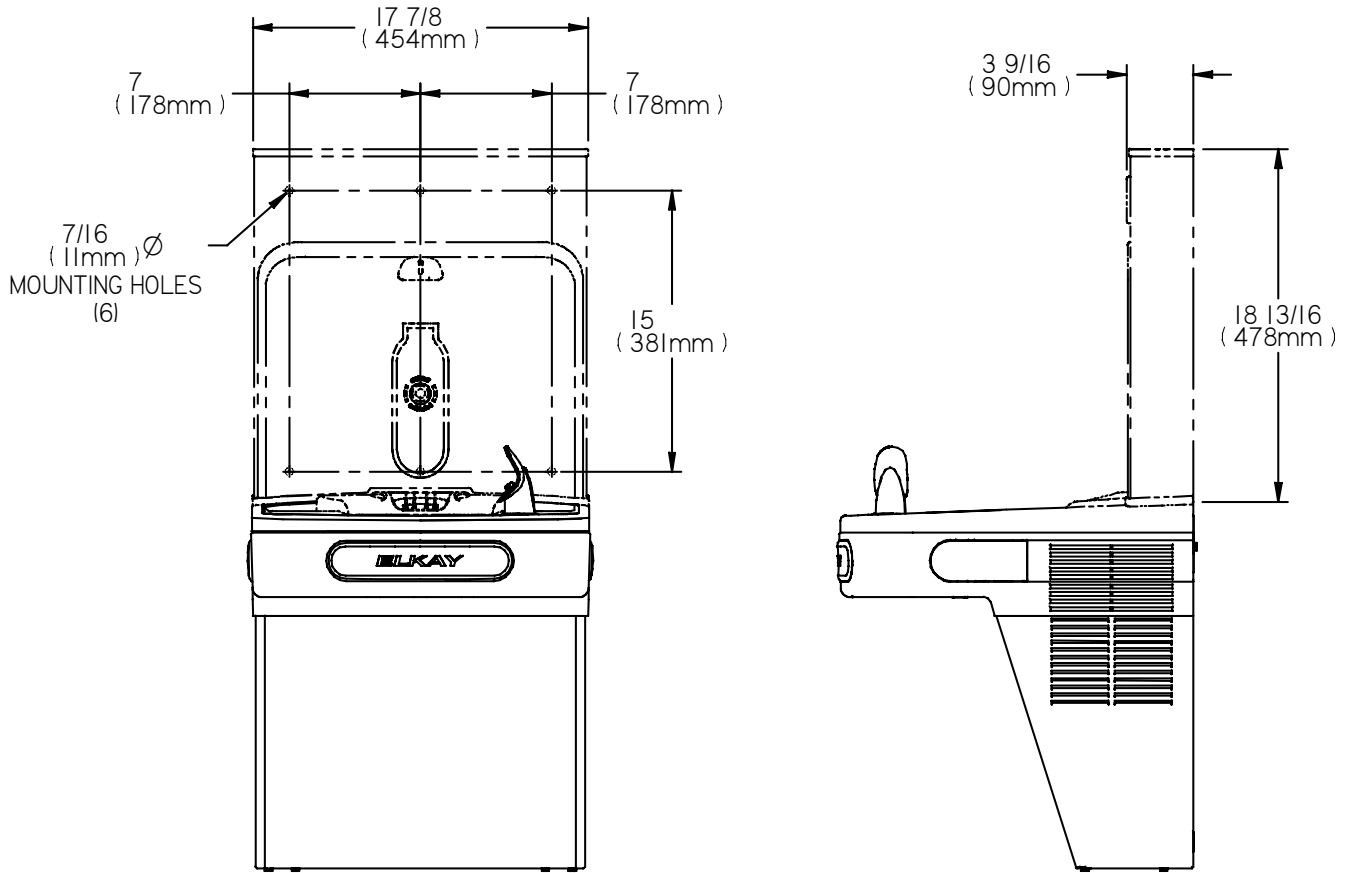
**SAFETY GLASSES
GLOVES
ELECTRIC DRILL
3/4" WRENCH OR CRECENT WRENCH
5/16" NUT DRIVER
UTILITY KNIFE
TAPE MEASURE
PENCIL
CENTER PUNCH
1/2" SOCKET & RATCHET WRENCH
5/32" ALLEN WRENCH**

IMPORTANT! INSTALLER PLEASE NOTE.

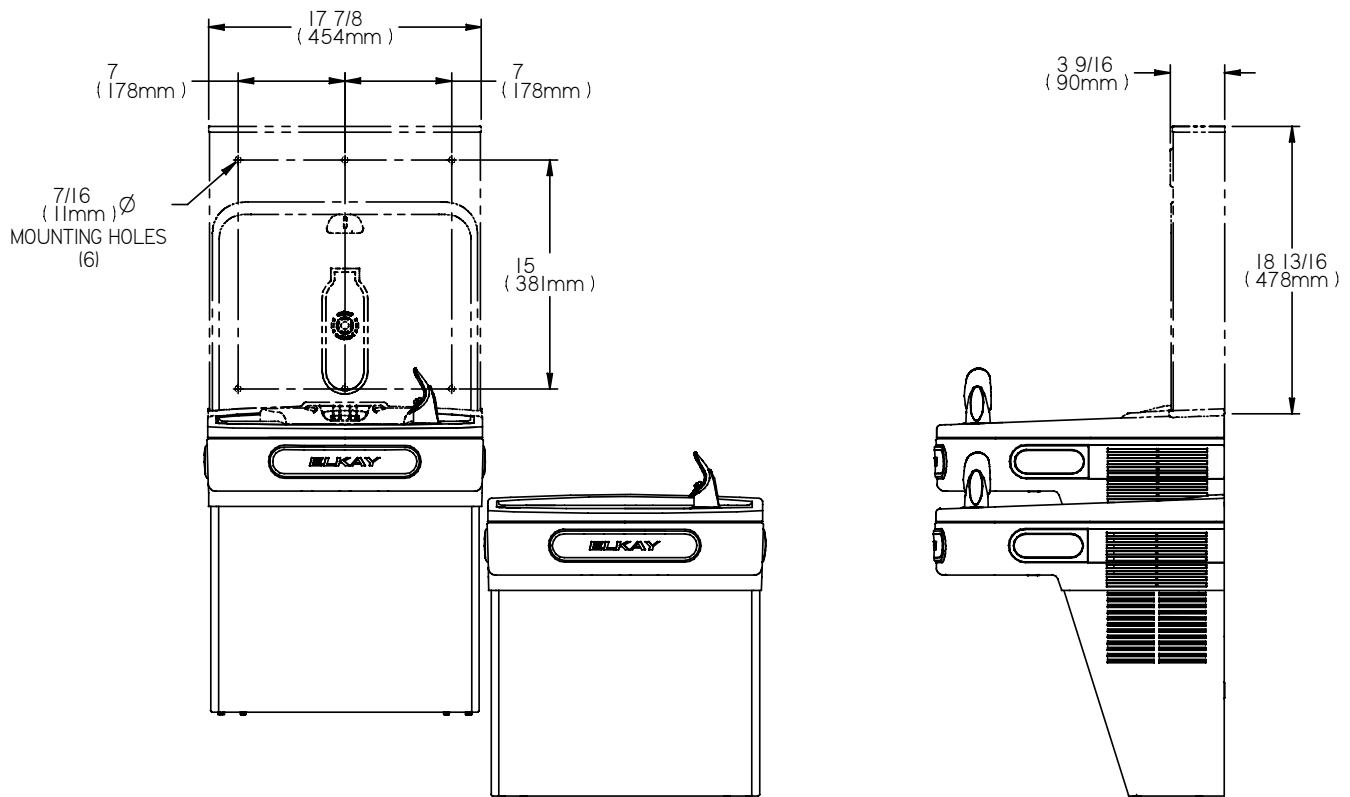
THE GROUNDING OF ELECTRICAL EQUIPMENT SUCH AS TELEPHONE, COMPUTERS, ETC. TO WATER LINES IS A COMMON PROCEDURE. THIS GROUNDING MAY BE IN THE BUILDING OR MAY OCCUR AWAY FROM THE BUILDING. THIS GROUNDING CAN CAUSE ELECTRICAL FEEDBACK INTO A FOUNTAIN, CREATING AN ELECTROLYSIS WHICH CAUSES A METALLIC TASTE OR AN INCREASE IN THE METAL CONTENT OF THE WATER. THIS CONDITION IS AVOIDABLE BY USING THE PROPER MATERIALS AS INDICATED. ANY DRAIN FITTINGS PROVIDED BY THE INSTALLER SHOULD BE MADE OF PLASTIC TO ELECTRICALLY ISOLATE THE FOUNTAIN FROM THE BUILDING PLUMBING SYSTEM. WE SUGGEST THAT THE BOTTLE FILLING STATION AND WATER COOLER BE PROTECTED BY A GROUND FAULT CIRCUIT INTERRUPTER (GFCI).

INSTALLER

EZS8WS Bottle Fillers are among the easiest to install on the market today. To insure you install these models easily and correctly, PLEASE READ THESE SIMPLE INSTRUCTIONS BEFORE STARTING THE INSTALLATION. CHECK YOUR INSTALLATION FOR COMPLIANCE WITH PLUMBING, ELECTRICAL, AND OTHER APPLICABLE CODES. After installation, leave these instructions with the Fountain for future reference.



Single Rough-In
 Fig. 1



Two -Level Rough-In
 Fig. 2

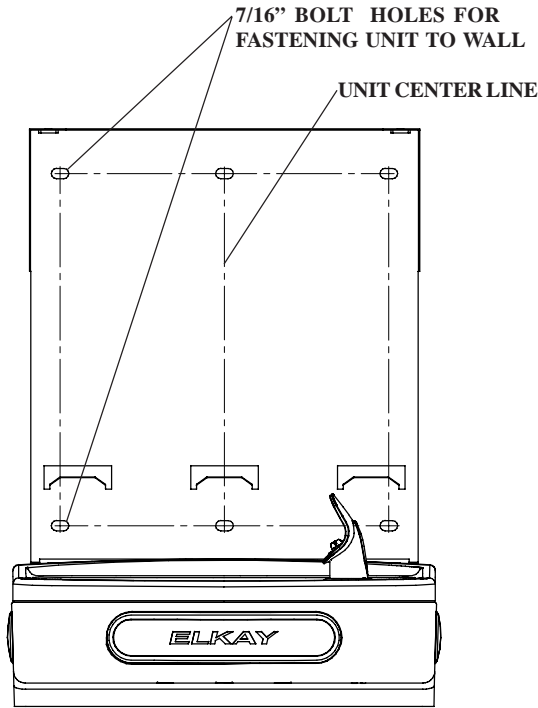


Fig. 3

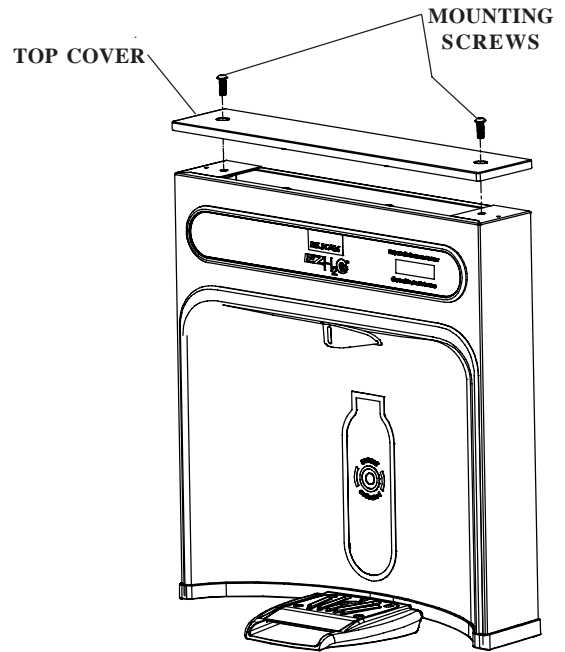
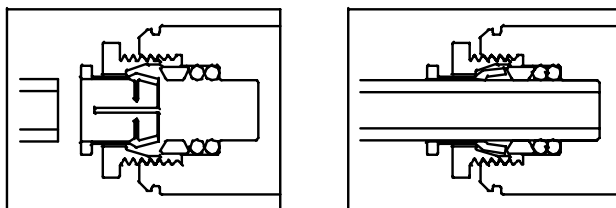


Fig. 4

BOTTLE FILLER INSTALLATION

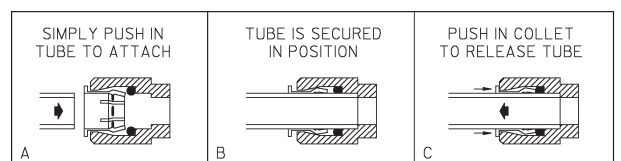
- 1) Remove two (2) mounting screws with 5/32" allen wrench holding top cover to Bottle Filler (See FIG. 4). Remove top cover. Note do not discard mounting screws, they will be needed to reinstall top cover..
- 2) Remove wall mounting plate from Bottle Filler. Place Wall plate against wall on top of EZ basin. Center the wall plate side to side with the EZ basin. Mark the six (6) mounting holes with a pencil (See FIG. 3).
- 3) Remove wall mounting plate from wall. **NOTE:** Mounting plate **MUST** be supported securely. Add fixture support carrier if wall will not provide adequate support.
- 4) Install wall mounting plate to wall using six (6) 7/16" obround mounting holes (mounting bolts not included) (See FIG. 3). Use appropriate fasteners for your wall type.
- 5) Locate plastic bushing (provided) and place in basin hole by pushing into hole until it snaps into place. This bushing protects the water line, wire(s), and power cord from sharp edge of basin. **This part must be used.**
- 6) Place Drain Mat into position on the bottom of the Bottle Filler Unit.
- 7) Fish the purple wire (single units) or the purple and yellow wires (two-level units) up through basin hole.
- 8) **For Single Model installations:** Attach the purple wire from cooler to the purple wire on the back of the unit, (Note yellow wire is not used).
- 8a) **For Two-Level model installations:** Attach the purple and yellow wires from coolers to the purple and yellow wires on the back of the unit, purple to purple, yellow to yellow.
- 9) Remove 3/8" to 1/4" reducing union from end of waterline, (do not throw away it will be needed later). Lay Bottle Filler on water cooler basin and cut insulation from tube even with bottom of unit, remove this insulation from the 3/8" tube, but do not discard. Fish the power cord, and waterline through the hole on top of water cooler created from the "Water Cooler Preparation" section. **NOTE:** To prevent scratching the basin place a towel or soft cloth over the entire basin when working above it.
- 10) With the power cord, wire(s), and waterline through hole on top of water cooler place Bottle Filler on the three (3) angled tabs protruding from the wall mounting plate, installed on wall (See Fig. 9). Make sure rubber Drain Mat is installed properly on bottom of Bottle filler (See Cover Illustration).
- 11) Once Bottle Filler is installed on wall plate tabs, drain mat, water line, wire(s) and power cord are installed properly, push top of Bottle Filler toward wall and line up top cover two (2) holes.
- 12) Reinstall Top Cover on Bottle Filler (See FIG. 4) with two mounting screws from step 1 above. Caution do not over tighten screws.
- 13) Install remaining tube insulation to the water line from bottle filler, connect Bottle Filler waterline inside of the water cooler by connecting the 3/8" water line with the 3/8" to 1/4" union and short piece of poly tube that was previously installed to the tee.
- 14) Turn water supply on and inspect for leaks. Fix all leaks before continuing.
- 15) Once unit has been inspected for leaks and any leaks found corrected plug Bottle Filler and EZ unit into wall. Be sure to reinstall fuse to the circuit or switch the circuit breaker back to the "ON" position.
- 16) Once power is applied to Bottle Filler, the LCD Bottle Counter should illuminate .
- 17) Verify proper dispensing by placing cup, hand, or any opaque object in front of sensor area and verify water dispenses. Note: the first initial dispenses might have air in line which may cause a sputter. This will be eliminated once all air is purged from the line.
- 18) Once unit tests out, install Lower Panel back on EZ water cooler(s). Units are now ready for use.



Note: Screw the locknut hand tight to seal

Fig. 5

OPERATION OF QUICK CONNECT FITTINGS



PUSHING TUBE IN BEFORE PULLING IT OUT HELPS TO RELEASE TUBE

Fig. 6

BF6-BF7-BF8 PROGRAMS **SETTING THE CONTROL BOARD**

VERIFY CONTROL BOARD SOFTWARE

- 1) To verify the software program of the control board the unit will need to be shut down and restarted. The chiller (if present) does not need to be shut down and restarted.
- 2) The units lower panel must be open to access the power cord and wall outlet.
- 3) Shut down the unit by unplugging the power cord from the wall outlet.
- 4) Restart the unit by plugging the power cord back into the wall outlet.
- 5) Upon start up the bottle count display will show the software designation of BF6, BF7, BF8 or BF9.
- 6) Reference the BF6-BF7-BF8 or BF9 instructions for setting the control board.

ACCESSING THE PROGRAMMING BUTTON

- 1) To access the program button remove the top cover of the bottle filler. Remove the two (2) screws holding top cover to bottle filler with a 5/32" allen wrench. Remove top cover. Do not discard mounting screws, they will be needed to reinstall the top cover after programming operations are completed. The programming button is located at the top right side of the unit on the control board.

RESET THE FILTER MONITOR

- 1) Instructions apply to filtered units only.
- 2) Depress the program button for approximately 2 seconds until the display changes then release. The display will change and scroll through three messages:
"RST FLTR" – Reset Filter Status LED
"RST BCNT" – Reset Bottle Count
"RNG SET" – Range Set for IR Sensor
If the program button is not pushed again the display will scroll through the three messages above for three cycles and then default back to bottle count and be back in run mode.
- 3) When the display changes to "RST FLTR", depress the button again. The display will change to show "FLT=". Depress the button again and the display will show "FLTR=0".
- 4) The green LED should now be illuminated indicating that the visual filter monitor has been reset.

SETTING RANGE OF THE IR SENSOR

- 1) Depress the program button for approximately 2 seconds until the display changes then release. The display will change and scroll through three messages:
"RST FLTR" – Reset Filter Status LED
"RST BCNT" – Reset Bottle Count
"RNG SET" – Range Set for IR Sensor
- 2) If the program button is not pushed again the display will scroll through the two messages above for three cycles and then default back to bottle count and be back in run mode.
- 3) When display shows "RNG SET" push program button once the display will show current value (can be 1 – 10) i.e. "RNG = 3".
- 4) Once display shows current value push the program button to scroll through value of 1 – 10. Select the desired range setting.
- 5) Once range is selected allow approximately 4 seconds to pass and then the display will go back to bottle counter and be in run mode.
- 6) Test bottle filler by placing bottle or hand in front of sensor to make sure water is dispensed.

RESETTING BOTTLE COUNT

- 1) Depress the program button for approximately 2 seconds until the display changes then release. The display will change and scroll through two messages:
"RST FLTR" – Reset Filter Status LED
"RST BCNT" – Reset Bottle Count
"RNG SET" – Range Set for IR Sensor
If the program button is not pushed again the display will scroll through the two messages above for three cycles and then default back to bottle count and be back in run mode.
- 2) When the display changes to "RST BCNT", depress the button again. The display will change to show current bottle count value i.e. "BC0033183".
- 3) Depress the button again and the display will change to "BTLCT=0" for approximately 2 seconds and then return to run mode displaying 000000.
- 4) You can test the bottle counter by running water approximately 5 seconds to see bottle counter advance 1.

BF9 PROGRAM **SETTING THE CONTROL BOARD**

VERIFY CONTROL BOARD SOFTWARE

- 1) To verify the software program of the control board the unit will need to be shut down and restarted. The chiller (if present) does not need to be shut down and restarted.
- 2) The units lower panel must be open to access the power cord and wall outlet.
- 3) Shut down the unit by unplugging the power cord from the wall outlet.
- 4) Restart the unit by plugging the power cord back into the wall outlet.
- 5) Upon start up the bottle count display will show the software designation of BF6, BF7, BF8 or BF9.
- 6) Reference the BF6-BF7-BF8 or BF9 instructions for setting the control board.

ACCESSING THE PROGRAMMING BUTTON

- 1) To access the program button remove the top cover of the bottle filler. Remove the two (2) screws holding top cover to bottle filler with a 5/32" allen wrench. Remove top cover. Do not discard mounting screws, they will be needed to reinstall the top cover after programming operations are completed. The programming button is located at the top right side of the unit on the control board.

RESET THE FILTER MONITOR

- 1) Instructions apply to filtered units only.
- 2) Depress the program button for approximately 2 seconds until the display changes then release. The display will change and scroll through two messages:
"RST FLTR" – Reset Filter Monitor
"SETTINGS" – System Settings Sub Menu
If the program button is not pushed again the display will scroll through the two messages above for three cycles and then default back to bottle count and be back in run mode.
- 3) When the display changes to "RST FLTR", depress the button again. The display will change to show "FLTR =". Depress the button again and the display will show "FLTR =0"
- 4) The Green LED should be illuminated indicating that the visual filter monitor has been reset.

SETTING RANGE OF THE IR SENSOR

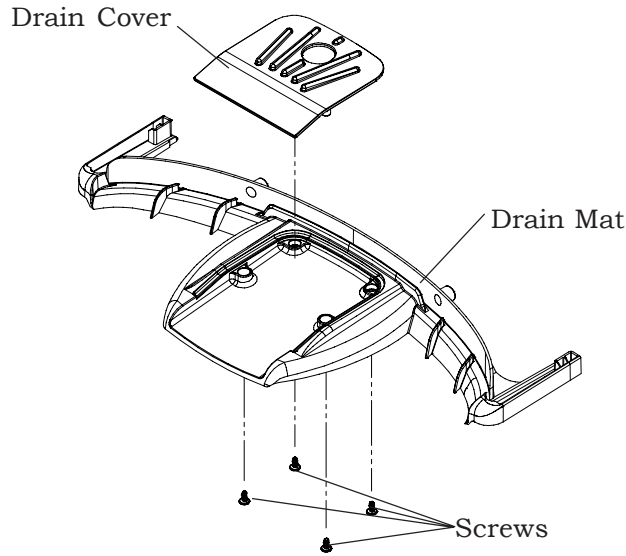
- 1) Depress the program button for approximately 2 seconds until the display changes then release. The display will change and scroll through two messages:
"RST FLTR" – Reset Filter Status LED
"SETTINGS" – System Settings Sub Menu
If the program button is not pushed again the display will scroll through the two messages above for three cycles and then default back to bottle count and be back in run mode.
- 2) When the display changes to "SETTINGS", depress the button again. The display will change to show "RNG SET"- Range set for IR sensor.
"UNIT TYP" - Type of unit (REFRIG or NON-RFRG)
"RST BCNT" - Reset bottle count
- 3) When display shows "RNG SET" push program button once the display will show current value (can be 1 – 10) i.e. "RNG = 3".
- 4) Once display shows current value push the program button to scroll through value of 1 – 10. Select the desired range setting.
- 5) Once range is selected allow approximately 4 seconds to pass and then the display will go back to bottle counter and be in run mode.
- 6) Test bottle filler by placing bottle or hand in front of sensor to make sure water is dispensed.

SETTING UNIT TYPE

- 1) Depress the program button for approximately 2 seconds until the display changes then release. The display will change and scroll through two messages:
"RST FLTR" – Reset Filter Status LED
"SETTINGS" – System Settings Sub Menu
If the program button is not pushed again the display will scroll through the two messages above for three cycles and then default back to bottle count and be back in run mode.
- 2) When the display changes to "SETTINGS", depress the button again. The display will change to show "RNG SET"- Range set for IR sensor.
"UNIT TYP" - Type of unit (REFRIG or NON-RFRG)
"RST BCNT" - Reset bottle count
- 3) When display shows "UNIT TYPE" push program button once the display will show current value
Can be REFRIG or NON-RFRG
- 4) Push button once to change value. Once value is selected the display will show the new value.
(Can be REFRIG or NON-RFRG)
"REFRIG" - stands for refrigerated product. In this setting the flow rate is estimated at 1.0 gallon per minute.
"NON-RFRG" - stands for nonrefrigerated product. In this setting the flow rate is estimated at 1.5 gallons per minute.
Both "REFRIG" and "NON-RFRG" simulate 1 bottle equal to 20 oz.
- 5) Allow approximately 4 seconds to pass and the display will return to bottle counter and be in run mode.

RESETTING BOTTLE COUNT

- 1) Depress the program button for approximately 2 seconds until the display changes then release. The display will change and scroll through two messages:
"RST FLTR" – Reset Filter Status LED
"SETTINGS" – System Settings Sub Menu
If the program button is not pushed again the display will scroll through the two messages above for three cycles and then default back to bottle count and be back in run mode.
- 2) When the display changes to "SETTINGS", depress the button again. The display will change to show "RNG SET"- Range set for IR sensor.
"UNIT TYP" - Type of unit (REFRIG or NON-RFRG)
"RST BCNT" - Reset bottle count
If the button is not pushed again the display will scroll through the three messages above for the cycles and return to run mode.
- 3) When display shows "RST BCNT" push program button once the display will show current value i.e. "0033183".
- 4) Once display shows current value push the program button once more to reset back to 0. The display will show BTLCT = 0 for approximately 2 seconds and then return to run mode showing 00000000 bottles.
- 5) Testing the bottle counter:
REFRIG units: Place bottle or hand in front of sensor for 9.4 seconds to see bottle counter count 00000001.
(This is based on filling a 20 oz. bottle)
NON-RFRG units: Place bottle or hand in front of sensor for 6.25 seconds to see bottle counter count 00000001.
(This is based on filling a 20 oz bottle)



DRAIN MAT EXPLODED VIEW

Fig. 7

DRAIN MAT ASSEMBLY AND CARE

- 1) Place Drain Cover on mat and install the four screws as shown in Fig. 8.
- 2) It is recommended that the cover be removed and the drain cover be cleaned weekly. To dis-assemble or re-assemble the drain cover the mat can be picked up from the front to access the screws beneath.

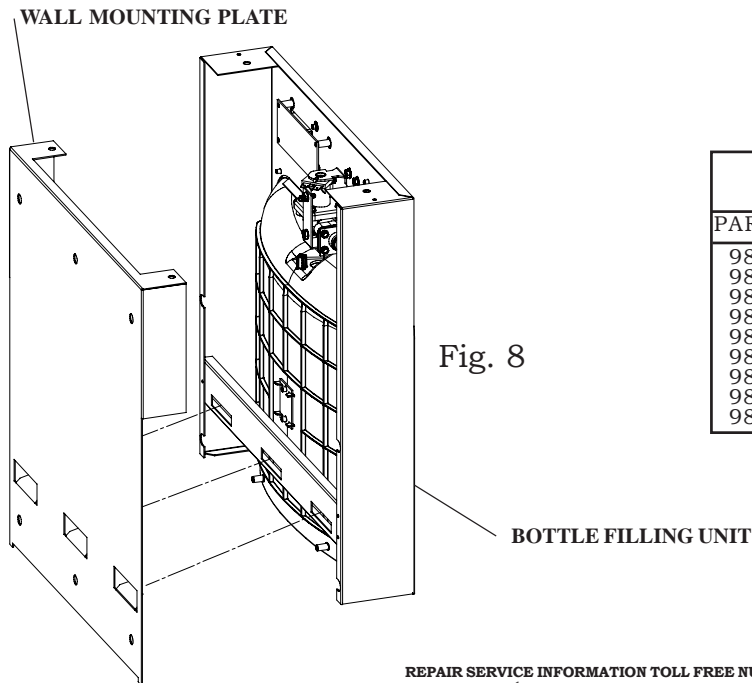


Fig. 8

REPLACEMENT PART KITS	
PART NO.	DESCRIPTION
98543C	Kit - Electrical Package 115V
98544C	Kit - IR Sensor 115V & 220V
98545C	Kit - Solenoid Valve Replacement 115
98546C	Kit - Aerator Replacement
98547C	Kit - Top Cover Replacement
98675C	Kit - Drain Mat & Cover Replacement
98549C	Kit - Hardware & Waterway Parts
98631C	Kit - Electrical Package 220V
98632C	Kit - Solenoid Valve Replacement 220V

REPAIR SERVICE INFORMATION TOLL FREE NUMBER 1.800.260.6640
 NÚMERO GRATIS DE SERVICIO 1.800.260.6640
 INFORMATIONS POUR LE SERVICE PAR NUMERO SANS FRAIS 1.800.260.6640

FOR PARTS, CONTACT YOUR LOCAL DISTRIBUTOR OR CALL 1.800.323.0620
 PARA PIEZAS, CONTACTE A SU DISTRIBUIDOR LOCAL O LLAME AL 1.800.323.0620
 POUR OBTENIR DES PIÈCES, CONTACTEZ VOTRE DISTRIBUTEUR LOCAL OU COMPOSEZ LE 1.800.323.0620

ELKAY MANUFACTURING COMPANY • 2222 CAMDEN COURT • OAK BROOK, IL 60523 • 630.574.8484

PRINTED IN U.S.A.
 IMPRESO EN LOS E.E.U.U.
 IMPRIMÉ AUX É.-U.

ELKAY With FLEXI-GUARD

INSTALLATION, CARE & USE MANUAL

Manual de Instalación, Cuidado y Utilización
 Manuel d'installation/entretien/utilisation

EZTL™ & LZTL™ Series Barrier-Free Water Coolers

EZTL™ & LZTL™ La Barrera de la serie Liberta Agua Coolers

EZTL™ & LZTL™ Coolers d'Eau de Barrière-Libère de feuilleton

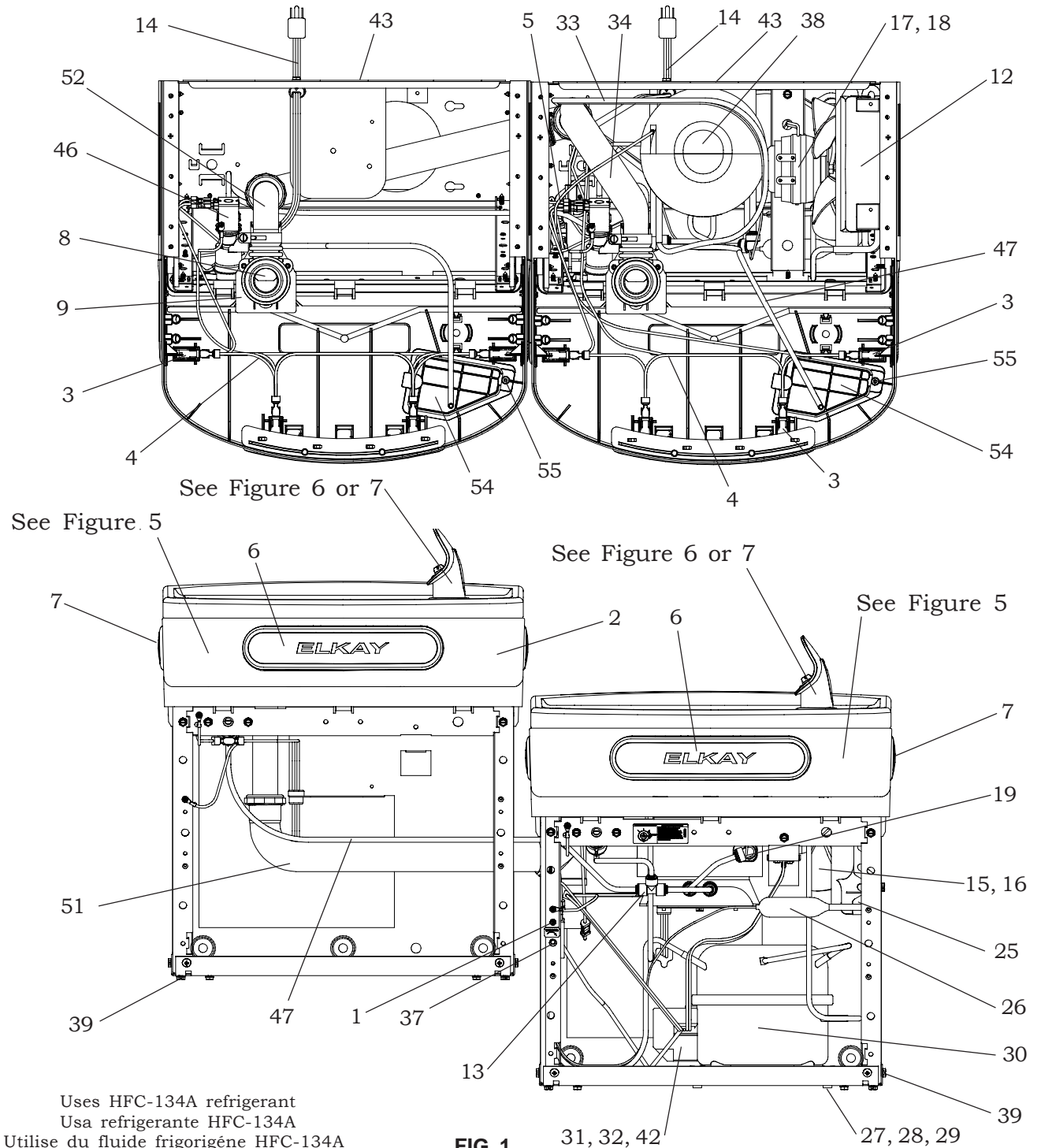
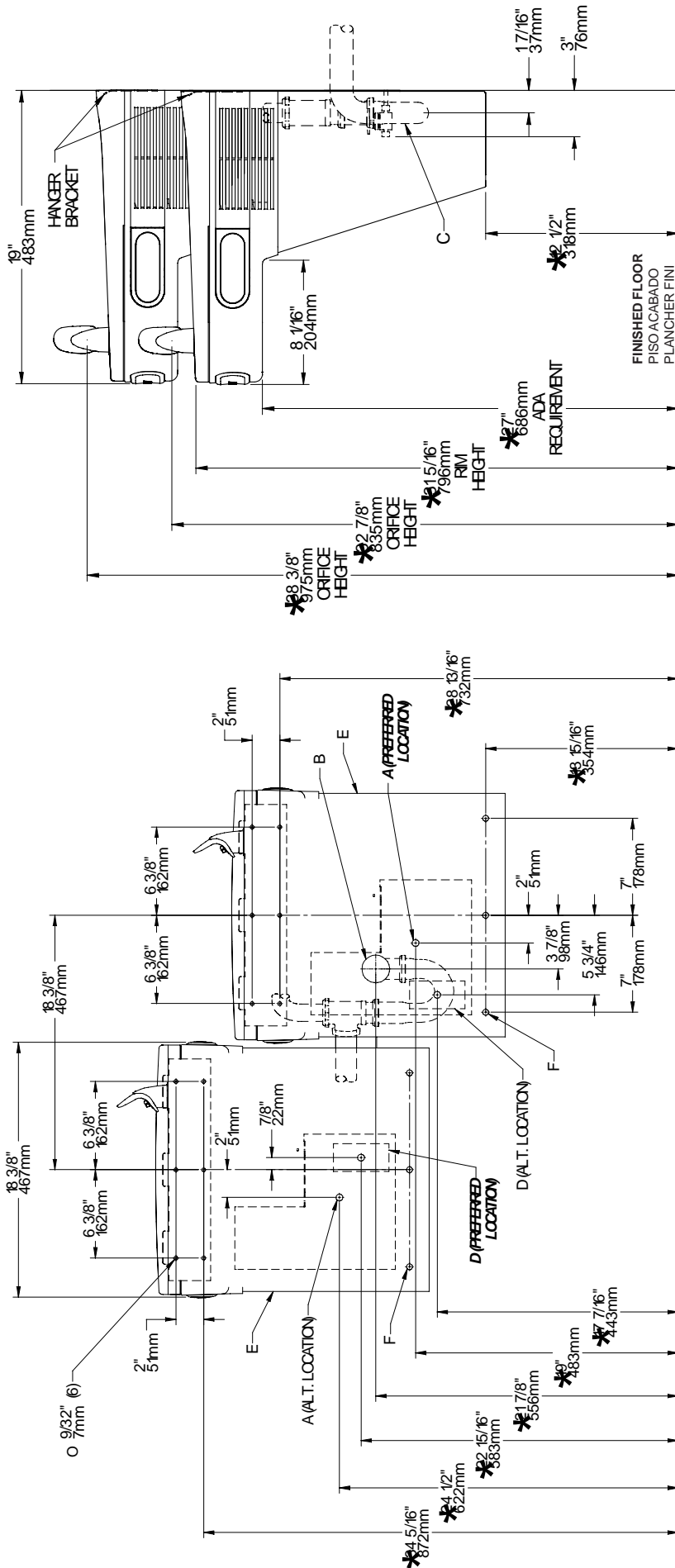


FIG. 1

ROUGH-IN FOR TWO-LEVEL MODELS



*REDUCE HEIGHT BY 3 INCHES FOR INSTALLATION OF CHILDRENS ADA COOLER

*ADA REQUIREMENT
 *REQUISITO DE A.D.A.
 *EXIGENCE ADA

FIG. 2

LEGEND/LEYENDA/LÉGENDE
A = RECOMMENDED WATER SUPPLY LOCATION 3/8" O.D. UNPLATED COPPER TUBE CONNECT STUB WITH SHUT OFF (BY OTHERS) 3 IN. (76mm) MAXIMUM OUT FROM WALL.
 La UBICACION 3/8 O RECOMENDADA de ABASTECIMIENTO DE AGUA. D. EITUBO del COBRE de UNPLATED CONECTA TALONARIO CON APAGO (POR OTROS) 3 en. (76 mm) el MAXIMO FUERA DE PARED
 L'O.D de 3/8 d'EMPLACEMENT DE PROVISION D'EAU RECOMMANDE. LE TUBE DE CUIVRE DE UNPLATED CONNECTE STUB AVEC ETEINT (PAR LES AUTRES) 3 dans. (76 mm) le MAXIMUM HORS DU MUR
B = RECOMMENDED LOCATION FOR WASTE OUTLET TO ACCOMMODATE 1-1/2" NOMINAL DRAIN. DRAIN STUB 2 IN. OUT FROM WALL
 LUGAR RECOMENDADO PARA La SALIDA DE RESIDUOS DEBERA ACOMODAR UN DESAGUE NOMINAL DE 1-1/2" (25.4mm). TRONCO DE DESAGUE DEBERA QUEDAR A UNA DISTANCIA DE 2 PULGADAS (50.8mm) DE LA PARED.
 EMPACEMENT RECOMMANDE POUR La SORTIE D'EVACUATION DES DECHETS POUR UNE EVACUATION DE 1,5 PO (DIMENSION NOMINALE). TRONCON D'EVACUATION SORTANT DE 2 PO DU MUR.
C = 1-1/2" TRAP NOT FURNISHED**
 PURGADOR DE 1-1/2" NO PROPORCIONADO**
 SIPHON 1-1/2" NON FOURNI**

D = ELECTRICAL SUPPLY (3) WIRE RECESSED BOX DUPLEX OUTLET
 ALAMBRES DE SUMINISTRO ELECTRICO (3) EN TOMA DUPLEX EMPOTRADO TIPO CAJA.
 PRISE DOUBLE AVEC BOITIER ENCASTRE POUR ALIMENTATION ELECTRIQUE (3) FILS.
E = INSURE PROPER VENTILATION BY MAINTAINING 6" (152 mm) (MIN.) CLEARANCE FROM CABINET LOUVERS TO WALL.
 ASEGURE UNA VENTILACION ADECUADA MANTENIENDO UN ESPACIO E.6" (152 mm) (MIN.) DE HOLLURA ENTRE LA REJILLA DE VENTILACION DEL MUEBLE Y LA PARED
 ASSUREZ-VOUS UNE BONNE VENTILATION EN GARDANT 6" (152 mm) (MIN.) ENTRE LES EVENES DE L'ENCEINTE ET LE MUR.
F = 7/16 BOLT HOLES FOR FASTENING UNIT TO WALL
 AGUJEROS DE LAS TUERCAS DE 7/16 PARA SUJETAR LA UNIDAD A LA PARED
 TROUS D'ECROUS 7/16 POUR FIXER L'APPAREIL AU MUR

****NEW INSTALLATIONS MUST USE GROUND FAULT CIRCUIT INTERRUPTER (GFCI) DE TIERRA DE LA AVERIA (GFCI)**
****LES NOUVELLES INSTALLATIONS DOIVENT EMPLOYER LES INTERRUPTEURS DE CIRCUITO CIRCUIT MOULUS DE DEFAUT (GFCI)**

Service Instructions

Lower and Upper Shroud

To access the refrigeration system and plumbing connections, remove four screws from bottom of cooler to remove the lower shroud. To remove the upper shroud for access to the pushbars, regulator, solenoid valve or other components located in the top of the unit, remove lower shroud, disconnect drain, remove four screws from tabs along lower edge of upper shroud, unplug two wires and water tube.

Bubbler

To remove the bubbler, first disconnect the power supply. The underside of the bubbler can be reached through the access panel (Item 54) on the underside of the upper shroud (Item 2). Remove the access panel by removing the retaining screw (item 55). To remove the bubbler, loosen locknut (Item 10) from the underside of the bubbler and remove the tubing from the quick connect fitting per the Operation Of Quick Connect Fittings section in the General Instructions. After servicing, replace the access panel and retaining screw.

Switches Behind the Push Bar

The regulator, Item 11, in an EZ cooler is always held fully open by the use of a single regulator nut (See Figure 8). Water is not dispensed until the pushbar is depressed to activate a switch which then opens a solenoid valve. When installing the regulator nut, Item 44, the regulator spring must be depressed while turning the nut.

Single bar units will have the same wiring as side push bar units but will not have the extra leads attached to sidebars.

To remove sidebars, from the inside compress the flared tabs and pull out carefully. To reinstall side pushbars, the front of the pushbar is inserted first. While keeping the switch depressed, snap the rear of the pushbar into position.

Atienda a Instrucciones

Las cubiertas inferiores y superiores

Para obtener acceso al sistema de refrigeración y las conexiones de plomería, retire cuatro tornillos de la parte inferior del enfriador para así poder retirar la cubierta inferior. Para retirar la cubierta superior para obtener acceso a las barras tope de empuje, regulador, la válvula del solenoide u otros componentes ubicados en la parte superior de la unidad, retire la cubierta inferior, desconecte el tubo de desagüe, retire cuatro tornillos de las lengüetas a lo largo del borde inferior de la cubierta superior, desenchufe dos cables y la tubería de agua.

Burbujeador

Para quitar el burbujeador, primero hay que desconectar la alimentación. Se puede obtener acceso a la parte inferior del burbujeador a través del panel de acceso (Figura 54) en la parte inferior de la cubierta superior (Figura 2). Quite el panel de acceso sacando el tornillo de retención (Figura 55) Para retirar el burbujeador, suelte la contratuerca (Figura 10) de la parte inferior del burbujeador y saque la tubería del accesorio de conexión rápida según descrito en la sección Funcionamiento de los Accesorios de Conexión Rápida en las Instrucciones Generales. Después de realizar el servicio, reemplace el panel de acceso y el tornillo de retención.

Interruptores detrás de la barra tope de empuje

El enfriador EZ es parecido a un sensor fotoeléctrico en que el regulador siempre está completamente abierto pero no surte el agua hasta que la barra tope se empuja (figura 8). Se escuchará un sonido de chasquidos al activar el interruptor y la válvula del solenoide. Una sola tuerca del regulador mantiene abierto el regulador en todo momento. Al instalar la tuerca, es necesario presionar el resorte del regulador mientras gira la tuerca.

Unidades con una sola barra tendrán el mismo cableado que las unidades con barras tope laterales pero no tendrán los cables extras conectados a las barras laterales.

Para retirar las barras laterales, desde el interior, hay que contraer las lengüetas acampanadas y retire cuidadosamente. Para reinstalar las barras tope laterales, se debe introducir la parte frontal de las barras primero. Con el interruptor presionado, encaje con un chasquido la parte posterior de la barra tope en la posición correcta.

Entretien des Instructions

Enveloppes de Protection Supérieure et Inférieure

Pour accéder au système de réfrigération et aux raccords de plomberie, retirez les four vis situées au bas du refroidisseur pour retirer l'enveloppe inférieure. Pour retirer l'enveloppe supérieure afin d'avoir accès aux boutons-poussoir, au régulateur, à l'électrovanne ou à tout autre composant situé au sommet de l'unité, retirez l'enveloppe inférieure, déconnectez le drain, retirez les quatre vis des pattes situées le long de l'arête inférieure de l'enveloppe supérieure, et débranchez les deux câbles ainsi que le raccordement en eau.

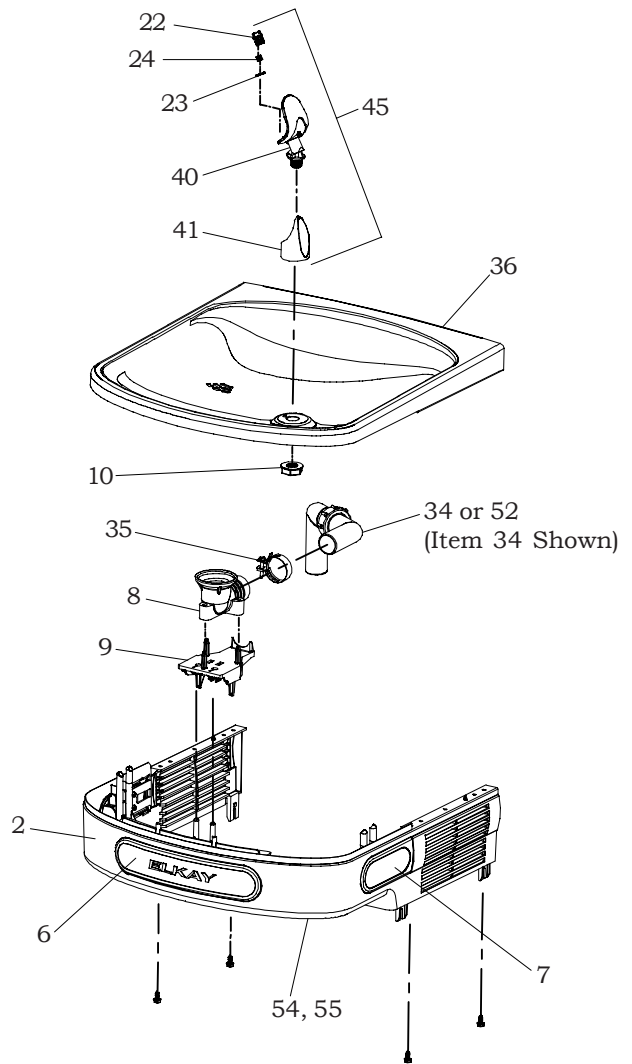


FIG. 5

Barboteur

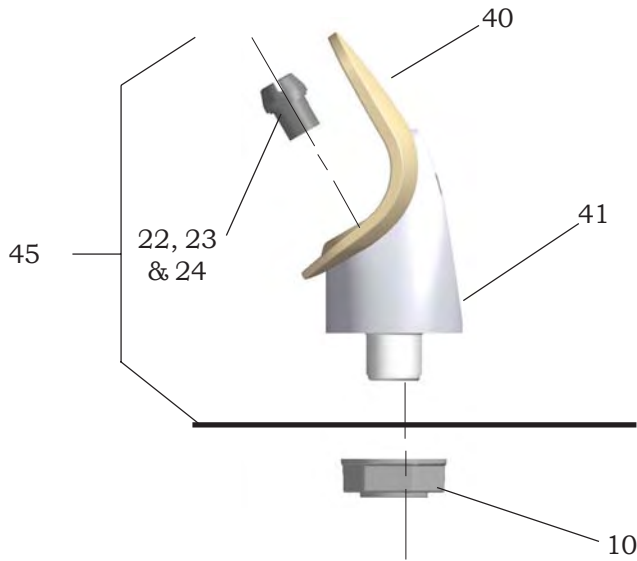
Pour déposer le barboteur, débranchez d'abord l'alimentation électrique. Le dessous du barboteur est accessible par le biais du panneau d'accès (composant 54) sur la face inférieure du collecteur d'air (composant 2). Déposez le panneau d'accès en retirant la vis de retenue (composant 55). Pour déposer le barboteur, desserrez l'écrou de blocage (composant 10) du dessous du barboteur et retirez la tubulure à partir du raccord rapide conformément à la section Utilisation des raccords rapides dans les instructions générales. Une fois le travail terminé, remplacez le panneau d'accès et la vis de

Interrupteurs derrière le bouton-poussoir

Le refroidisseur EZ a un fonctionnement similaire à celui d'un capteur photo-électrique, dans le sens où le réglage est toujours complètement ouvert mais ne dispense de l'eau que lorsque l'on presse le bouton-poussoir (composant 8). Un cliquetis se produit quand l'interrupteur et l'électrovanne se mettent en marche. Un seul écrou de réglage maintient le réglage en position ouverte en permanence. Lors de l'installation de l'écrou, le ressort de détente doit être en position relâchée pendant le réglage de l'écrou.

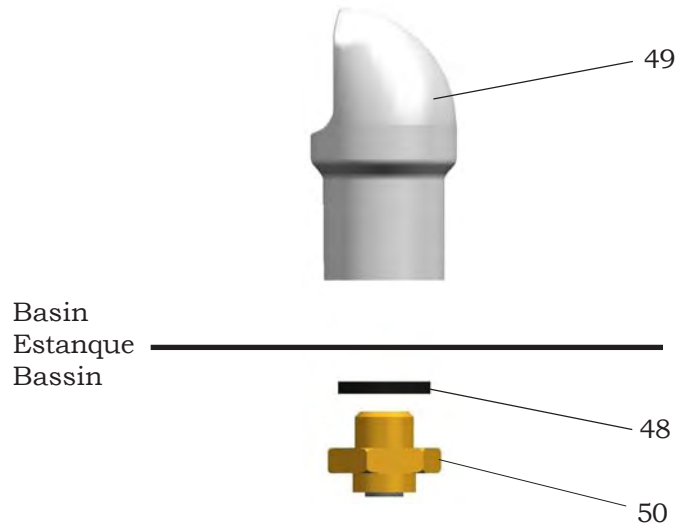
Les unités à une barre possèdent le même câblage que les unités à boutons-poussoir latéraux mais ne possèdent pas les connexions supplémentaires attachées aux barres latérales.

Afin de retirer les barres latérales, pressez les pattes évasées de l'intérieur et tirez doucement. Pour réinstaller les barres latérales, la partie avant est d'abord insérée. En gardant l'interrupteur relâché, encastrez l'arrière du bouton-poussoir en position.



BUBBLER DETAIL
 DETALLE DEL GRIFO
 DETAIL DU BARBOTEUR

FIG. 6



VANDAL RESISTANT BUBBLER DETAIL
 DETALLE DEL GRIFO RESISTENTE AL VANDALISMO
 DESCRIPTION DU BARBOTEUR RESISTANT AU VANDALISME

FIG. 7

NOTE:

When installing replacement bubbler and pedestal, tighten nut (Item 10) only to hold parts snug in position. Do Not Overtighten.

NOTA:

Al instalar el grifo y pedestal de reemplazo, apriete la tuerca (elemento 10) unicamente para mantener las piezas en una posicion ajustada. No debe apretarse demasiado.

REMARQUE:

Lors de l'installation du barboteur de remplacement ou du socle, serez la vis (element 10) afin de maintenir les elements en place. Ne Pas Serrer Trop Fortement.

Cleaning the strainer

To clean the strainer, unscrew the cap of the solenoid valve. Remove screen and rinse thoroughly with water. Insert screen back into solenoid valve and screw cap on. Make sure the o-ring is placed properly.

Limpieza del filtro

Para limpiar el filtro, desatornille la tapa de la válvula solenoide. Retire la malla y enjuague a fondo con agua. Inserte nuevamente la malla en la válvula solenoide y atornille la tapa. Asegurese de que el retén anular quede colocado correctamente.

Nettoyage du filtre

Pour nettoyer le filtre, dévisser le bouchon du robinet électromagnétique (ou électrorobinet). Retirez l'écran et rincez-le à fond sous l'eau. Remettez l'écran en place dans l'électrorobinet puis revissez le bouchon. Assurez-vous que le joint torique est correctement positionné.

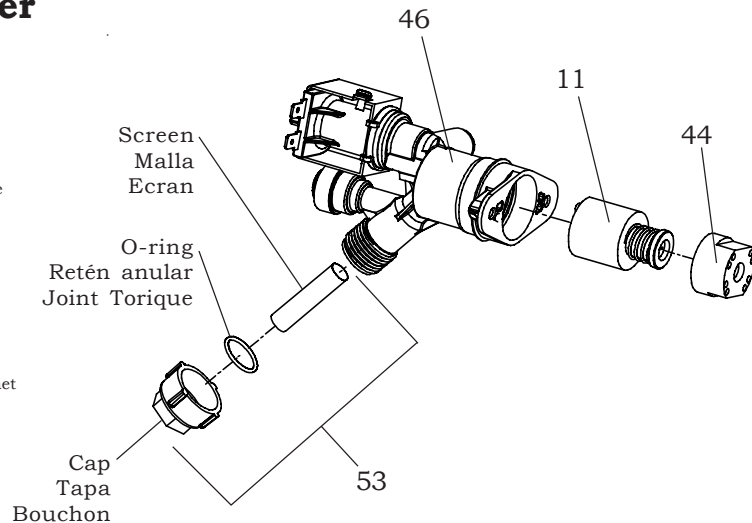


FIG. 7

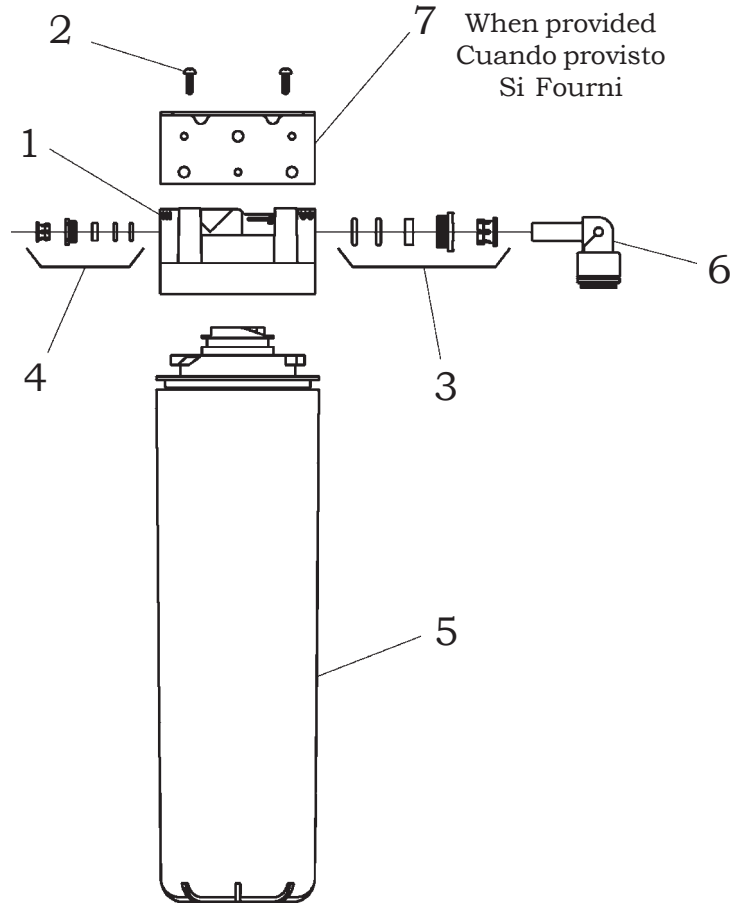


FIG. 8

WATERSENTRY® Filter Detail
Detalle WATERSENTRY® Filtro
Description WATERSENTRY® Filtrage

WATERSENTRY® FILTER PARTS LIST (See Fig. 8)			LISTA DE PIEZAS DEL FILTRO (Vea la Fig. 8)	LISTE DES PIÈCES DU FILTRE (Voir Fig. 8)
ITEM NO.	PART NO.	DESCRIPTION	DESCRIPCIÓN	DESCRIPTION
1	51294C	Filter Head Assy.	Ensamblado de la Cabeza del Filtro	Ens. de tête de filtre
2	70792C	Screw #8-18 x .75 PH	Tornillo #8-18 x .75 PH	Vis #8-18 x .75 hp
3	70823C	Fitting - Superseal 3/8" (10 mm)	Accesorio - Supersello 3/8" (10mm)	Raccord - Superseal 3/8" (10mm)
4	70822C	Fitting - Superseal 3/8" (6 mm)	Accesorio - Supersello 1/4" (6 mm)	Raccord - Superseal 1/4" (6mm)
5	51299C	Filter Assy	Ensamblado del Filtro	Ens. filtre
	51300C	Filter Assy-BF-3000 Gal.	Ensamblado del Filtro-BF-3000 Gal.	Ens. filtre-BF-3000 Gal.
6	70818C	Elbow - 3/8" (10mm)	Codo - 3/8" (10 mm)	Coude - 3/8" (10mm)
7	22490C	Bracket	Fijador	Support

Switch Activation

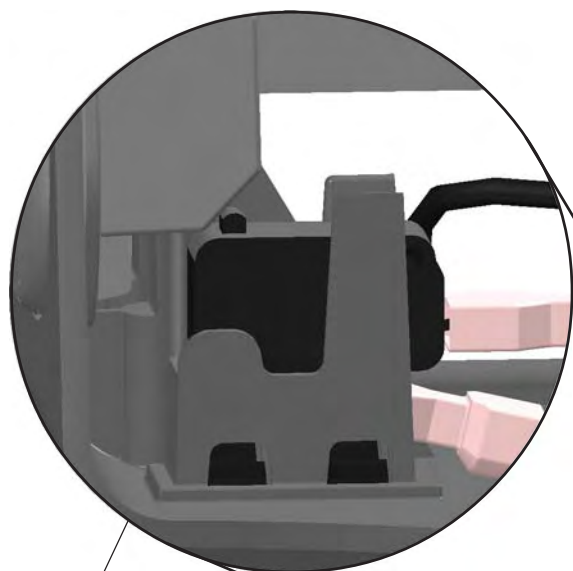
Note: Only side push activation is shown.
Front push works the same.

Detalle de la activación del interruptor

Nota: Lateral presión activación que se muestran. Frontal presión es la similar.

Description de l'activation de l'interrupteur

Remarque: Latéral pousseur activation que des indique. Face pousseur des semblable.



Open Switch Detail
Detalle Interruptor abierto
Description Interrupteur en position Marche



20 or 21

FIG. 10



Closed Switch Detail
Detalle Interruptor cerrado
Description Interrupteur en position Arrêt

230V PARTS LIST / 230V LISTA DE PIEZAS / 230V LISTE DES PIÈCES

ITEM NO.	PART NO.	DESCRIPTION	DESCRIPCIÓN	DESCRIPTION
14	36066C	Power Cord	Cable eléctrico	Cordon d'Alimentation
	36067C	Power Cord Non-Refrigerated	Cable eléctrico L/R	Cordon d'Alimentation L/R
17	31431C	Fan Motor	Motor del ventilador	Moteur du Ventilateur
*30	36068C	Compressor Serv. Pak (230v/50Hz)	Compresor Paquete de servicio (230v/50Hz)	Kit d'Entretien du Compresseur (230v/50Hz)
31	36050C	Relay	Relé	Relais
42	36195C	Overload (230v/50Hz)	Sobrecarga (230v/50Hz)	Surcharge (230v/50Hz)
46	36248C	Valve - Solenoid	Válvula - Solenoide	Electrovalvula
NS	28030C	Brkt - Power Inlet	Soporte - Entrada De Eléctrico	Support - Entrée d'alimentation
NS	35826C	Inlet Power	Entrada De Eléctrico	Entrée d'alimentation
NS	36357C	Split Snap Bushing	Buje rápido partido	Douille instantanée fendue
NS	36299C	Jumper Wire (Purple)	Cable - Puente (Púrpura)	Cable - Cavalier (Pourpre)
NS	36300C	Jumper Wire (Yellow)	Cable - Puente (Amarillo)	Cable - Cavalier (Jaune)

***INCLUDES RELAY & OVERLOAD. IF UNDER WARRANTY, REPLACE WITH SAME COMPRESSOR USED IN ORIGINAL ASSEMBLY.**

NOTE: All correspondence pertaining to any of the above water coolers or orders for repair parts MUST include Model No. and Serial No. of cooler, name and part number of replacement part.

***INCLUYE RELÉ Y SOBRECARGA. SI ESTÁ BAJO GARANTÍA, REEMPLACE CON EL MISMO COMPRESOR USADO EN EL ENSAMBLADO INICIAL.**

NOTA: Toda la correspondencia relacionada con el enfriador de agua anterior o con una orden de reparación piezas DEBERÁ incluir el número de modelo y número de serie del enfriador, el nombre y número de pieza de la pieza de repuesto.

***COMPREND RELAIS ET SURCHARGE. SI SOUS GARANTIE, REMPLACEZ AVEC LE MÊME SURPRESSEUR QUE CELUI UTILISÉ ORIGINALEMENT.**

NOTE: Toute correspondance au sujet des refroidisseurs d'eau courante ou toute commande de pièce de rechange DOIT inclure le numéro de modèle et le numéro de série du refroidisseur ainsi que le nom et le numéro de pièce à remplacer.

COLOR TABLE / TABLA DE LOS COLORES / TABLE DE COULEURS

ITEM NO.	PART NO.	DESCRIPTION	DESCRIPCIÓN	DESCRIPTION
20	27862C 27864C 27929C 27931C	Wrapper - Stainless TL Wrapper - Light Grey TL Wrapper - Stainless TLR Wrapper - Light Grey TLR	Envoltura - Acero inoxidable TL Envoltura - Gris claro TL Envoltura - Acero inoxidable TLR Envoltura - Gris claro TLR	Couvre-joint - Inox TL Couvre-joint - Gris Clair TL Couvre-joint - Inox TLR Couvre-joint - Gris Clair TLR
21	27852C 27854C 27919C 27921C	Wrapper - Stainless w/o Louvers TL Wrapper - Light Grey w/o Louvers TL Wrapper - Stainless w/o Louvers TLR Wrapper - Light Grey w/o Louvers TLR	Envoltura - Acero inoxidable sin Celosías TL Envoltura - Gris claro sin Celosías TL Envoltura - Acero inoxidable sin Celosías TLR Envoltura - Gris claro sin Celosías TLR	Couvre-joint - Inox sans Aérateur à lames TL Couvre-joint - Gris clair sans Aérateur à lames TL Couvre-joint - Inox sans Aérateur à lames TLR Couvre-joint - Gris clair sans Aérateur à lames TLR

115V PARTS LIST/ 115V LISTA DE PIEZAS/ 115V LISTE DES PIÈCES

ITEM NO.	PART NO.	DESCRIPTION	DESCRIPCIÓN	DESCRIPTION
1	111411443890	Screw - #8-36 Tri-lobed	Tornillo - #8-36 trilóbulo	Vis - #8-36 Trilobée
2	56229C	Assy - Shroud - Upper (Front Side Push)	Cubierta - Superior (Frontal Lateral Presión)	Enveloppe de Protection - Supérieure (Face Latéral Poussoir)
	56230C	Assy - Shroud - Upper (Front Push)	Cubierta - Superior (Frontal Presión)	Enveloppe de Protection - Supérieure (Face Poussoir)
3	35948C	Switch - Electrical	Interruptor - Eléctrico	Interrupteur - Electrique
4	36216C	Wiring Harness (Front Side Push)	Haz de hilos (Frontal Lateral Presión)	Câblage Electrique (Face Latéral Poussoir)
	36217C	Wiring Harness (Front Push)	Haz de hilos (Frontal Presión)	Câblage Electrique (Face Poussoir)
5	36161C	Wire - Jumper (White)	Cable - Puente (Blanco)	Câble - Cavalier (Blanc)
	36162C	Wire - Jumper (Black)	Cable - Puente (Negro)	Câble - Cavalier (Noir)
6	55999C	Pushbar - Front	Barra de presión - Frontal	Bouton-poussoir - Face
7	56002C	Pushbar - Side	Barra de presión - Lateral	Bouton-poussoir - Latéral
	56074C	Pushbar - Filler Side	Barra de presión - Llenador Lateral	Bouton-poussoir - Côté du Bourrage
8	56118C	Drain Fitting	Adaptador - Tubo de desagüe	Raccord - Drain
9	56182C	Adapter - Drain	Adaptador - desagüe	Adaptateur - Drainage
10	75580C	Nut Lock 3/8 x 18	Retención de tuerca de 9.5mm x 45cm	Frein d'Ecrou 3/8 X 18
11	66654C	Regulator	Regulador	Régleur
12	56237C	Shroud - Fan	Cubierta - Ventilador	Enveloppe de Protection - Ventilateur
13	70682C	Tee 1/4	La te 1/4	Tee 1/4
14	36283C	Power Cord EZTL	Cable eléctrico EZTL	Cordon d'Alimentation EZTL
	36287C	Power Cord EZTLR	Cable eléctrico EZTLR	Cordon d'Alimentation EZTLR
	35980C	Power Cord L/R	Cable eléctrico L/R	Cordon d'Alimentation L/Réfrigérant
15	30664C	Fan Blade	Paleta del ventilador	Hélice de Ventilateur
16	70018C	Hex Nut - Fan Blade	Tuerca Hexagonal- Paleta del ventilador	Ecrou Hexagonal - Hélice du Ventilateur
17	31490C	Fan Motor	Motor del ventilador	Moteur du Ventilateur
18	70009C	Screw - Fan Motor	Tornillo - Motor del ventilador	Vis - Moteur du Ventilateur
19	75583C	Elbow - John Guest	Codo - John Guest	Coude John Guest
20	See Color Table	Wrapper	Envoltura	Couvre-joint
21	See Color Table	Wrapper - w/o Louvers	Envoltura - sin Celosías	Couvre-joint - sans Aérateur à lames
22	40319C	Fitting - Orifice	Adaptador - Orificio	Raccord - Orifice
23	50171C	O-Ring	Aro tórico	Joint Torique
24	50314C	Orifice Flow Straightener	Rectificador de flujo - Orificio	Stabilisateur d'Écoulement- Orifice
25	66743C	Condenser	Condensador	Condenseur
26	66703C	Drier	Secador	Déshydrateur
27	101474551730	Stud - Compressor Mtg.	Taquete - Montaje de Compresor	Goujon - Montage du Compresseur
28	100806740570	Grommet - Compressor Mtg.	Ojal - Montaje de Compresor	Joint d'éanchéité - Montage du Compresseur
29	19037000	Clip - Compressor Mtg.	Pinza - Montaje de Compresor	Clip - Montage du Compresseur
*30	36094C	Compressor Serv. Pak EMI70HNR	Compresor Paquete de servicio EMI70HNR	Kit d'Entretien du Compresseur EMI70HNR
31	35959C	Relay	Relé	Relais
32	35768C	Cover - Relay	Cubierta - Relé	Coiffe - Relais
33	66576C	Heat Exchanger	Intercambiador térmico	Echangeur Thermique
34	45890C	Drain Tube EZ8TL	Tubo de desagüe EZ8TL	Tube de Drainage EZ8TL
	45890C	Drain Tube EZ8TLR	Tubo de desagüe EZ8TLR	Tube de Drainage EZ8TLR
35	70444C	Clamp - Drain	Abrazadera - Tubo de desagüe	Collier - Drain
36	55001109	Basin - Stainless Steel	Estanque - Acero inoxidable	Basin - Inox
	28909C	Basin - Stainless Steel-BF	Estanque - Acero inoxidable-BF	Basin - Inox-BF
37	35839C	Cold Control	Control del enfriamiento	Contrôle de Refroidissement
38	66810C	Evaporator Assembly	Ensamblaje del Evaporador	Ensemble Evaporateur
39	70002C	Screw - #10 x 1/2" Lg. HHSM	Tornillo - #10 x 1.27cm Gde. Cabeza 1	Vis - #10 x 1/2" Lg. Tête Hexagonale
40	56011C	Housing Assembly	Ensamblaje de alojamiento	Ensemble Carrosserie
41	55997C	Pedestal	Pedestal	Socle
42	36158C	Overload	Sobrecarga	Surcharge
43	28401C	Hanger Bracket	Soporte colgante	Support de suspension
44	56082C	Nut - Regulator	Tuerca - Regulador	Ecrou - Régleur
45	56073C	Bubbler Assembly	Ensamblaje del Grifo	Ensemble Barboteur
46	36247C	Valve - Solenoid	Válvula - Solenoide	Electrorobinet
47	56092C	Polytubing (Cut to length)	Tubería de polipropileno (Para cortar al largo)	Polytube (Ajusté à la longueur souhaitée)
48	100322740560	Gasket - Black .68 x 1.03	Obturator - Negro 0.68 x 1.03	Joint Statique - Noir 0.68 X 1.03
49	98118C	Bubbler Assembly	Ensamblaje del Grifo	Ensemble Barboteur
50	15009C	Nipple - Bubbler	Boquilla - Grifo	Nipple - Barboteur
51	45874C	Wasteline Assy. TL	Malgaste la Asamblea de la Línea TL	Gaspiller TL d'Assemblée de Ligne
	45874C	Wasteline Assy. TLR	Malgaste la Asamblea de la Línea TLR	Gaspiller TLR d'Assemblée de Ligne
52	45896C	Drain Tube EZDTL	Tubo de Desagüe - EZDTL	Canalisation - EZDTL
	45896C	Drain Tube EZDTLR	Tubo de Desagüe - EZDTLR	Canalisation - EZDTLR
53	98169C	Kit - Replacement Cap/Screen/O-Ring	Kit del reemplazo Tapa/Malla/Reten Anular	Kit De rechange De Bouchon/Ecran/joint Torique
54	56213C	Access - Panel	Panel -Acceso	Panneau - Accès
55	75740C	Screw - #10-16 x .50	Tornillo - #10-16 x .50	Vis - #10-16 x .50
NS	28021C	Wrapper - Filler Stainless	Envoltura Llenador Acero inoxidable	Couvre-joint - Inox
	28020C	Wrapper - Filler Light Grey	Envoltura Llenador Gris claro	Couvre-joint - Gris clair
	28024C	Wrapper - Filler Light Grey DDTL	Envoltura Llenador Acero inoxidable DDTL	Couvre-joint - Inox DDTL
	28025C	Wrapper - Filler Stainless DDTL	Envoltura Llenador Gris claro DDTL	Couvre-joint - Gris clair DDTL
NS	28414C	Bracket - Trim Strip Stainless	Soporte - Tira De Ajuste Inoxidable	Parentèse - Panneau De Jonction Inoxidable
	28415C	Bracket - Trim Strip Light Grey	Soporte-Gris De la Luz De la Tira De Ajuste	Parentèse - Panneau De Jonction Gris clair
	28419C	Bracket - Trim Strip Stainless DDTLR	Soporte - Tira De Ajuste Inoxidable DDTLR	Parentèse - Panneau De Jonction Inoxidable DDTLR
	28420C	Bracket - Trim Strip Light Grey DDTLR	Soporte-Gris De la Luz De la Tira De Ajuste DDTLR	Parentèse - Panneau De Jonction Gris clair DDTLR
NS	See Filter Table	Water Filter Kit (When Provided)	Kit de Filtro de Agua (Cuando provisto)	Kit de Filtrage d'Eau (Si Fourni)
NS	75635C	Screw - #10-16 x .75 PTHD	Tornillo - #10-16 x .75 PHTD	Vis - #10-16 x .75 PHTD
NS	56332C	Snap Bushing	Buje rápido	Douille instantanée
NS	36299C	Jumper Wire (Purple)	Cable - Puente (Púrpura)	Câble - Cavalier (Pourpre)
NS	36300C	Jumper Wire (Yellow)	Cable - Puente (Amarillo)	Câble - Cavalier (Jaune)

*INCLUDES RELAY & OVERLOAD. IF UNDER WARRANTY, REPLACE WITH SAME COMPRESSOR USED IN ORIGINAL ASSEMBLY.
NOTE: All correspondence pertaining to any of the above water coolers or orders for repair parts MUST include Model No. and Serial No. of cooler, name and part number of replacement part.

*INCLUYE RELÉ Y SOBRECARGA. SI ESTÁ BAJO GARANTÍA, REEMPLACE CON EL MISMO COMPRESOR USADO EN EL ENSAMBLADO INICIAL.
NOTA: Toda la correspondencia relacionada con el enfriador de agua anterior o con una orden de reparación piezas DEBERÁ incluir el número de modelo y número de serie del enfriador, el nombre y número de pieza de la pieza de repuesto.

*COMPREND RELAIS ET SURCHARGE. SI SOUS GARANTIE, REMPLACEZ AVEC LE MÊME SURPRESSEUR QUE CELUI UTILISÉ ORIGINALEMENT.
NOTE: Toute correspondance au sujet des refroidisseurs d'eau courante ou toute commande de pièce de rechange DOIT inclure le numéro de modèle et le numéro de série du refroidisseur ainsi que le nom et le numéro de pièce à remplacer.

REPAIR SERVICE INFORMATION TOLL FREE NUMBER 1-800-260-6640
NUMERO GRATIS DE SERVICIO 1-800-260-6640
INFORMATIONS POUR LE SERVICE PAR NUMERO SANS FRAIS 1-800-260-6640

FOR PARTS, CONTACT YOUR LOCAL DISTRIBUTOR OR CALL 1.800.323.0620
PARA PIEZAS, CONTACTE A SU DISTRIBUIDOR LOCAL O LLAME AL 1.800.323.0620
POUR OBTENIR DES PIÈCES, CONTACTEZ VOTRE DISTRIBUTEUR LOCAL OU COMPOSEZ LE 1.800.323.0620

PRINTED IN U.S.A.
IMPRESO EN LOS E.E.U.U.
IMPRIMÉ AUX É.-U.

ELKAY MANUFACTURING COMPANY • 2222 CAMDEN COURT • OAK BROOK, IL 60523 • 630.574.8484