

ELKAY[®]

SPECIFICATIONS

The Mystic[®] by Elkay Undermount Sink Model MYSTIC1516

GENERAL

Highest quality contoured sink formed of #18 (1.2mm) gauge, type 304 (18-8) nickel bearing stainless steel. Undermount.

DESIGN FEATURES

Bowl Depth: 8" (203mm).

Finish: Exposed surfaces are hand polished to a Lustrous Highlighted Satin finish.

Underside: Fully protected by heavy duty Sound Guard[®] undercoating designed to reduce condensation and dampen sound.

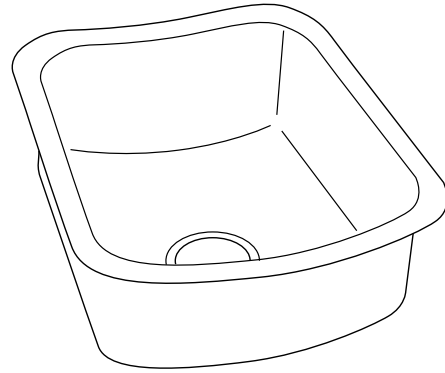
OTHER

Drain Opening: 3-1/2" (89mm).

NOTE: All Elkay undermount sinks are designed to affix to the underside of any solid surface countertop.

Installation: See illustrated profile below.

Sink complies with ASME A112.19.3-2008 / CSA B45.4-08



Model MYSTIC1516



These sinks are listed by the International Association of Plumbing and Mechanical Officials as meeting the requirements of the Uniform Plumbing Code.

OPTIONAL ACCESSORIES

Bottom Grid: LKWBG1515SS

Cutting Board: LKCB1515HW

Drain: LK99

Rinsing Basket: LKW RB1515SS

Utensil Caddy for Rinsing Basket: LKWUCSS

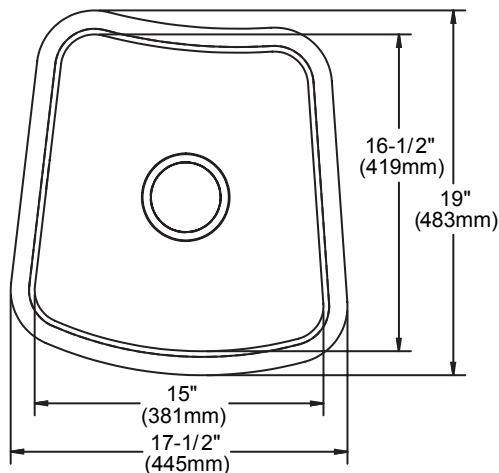
Mounting Clip: LKUCLIP8

SINK DIMENSIONS*

Model Number	Overall		Inside Bowl			Cutout in Countertop	Minimum Cabinet Size
	L	W	L	W	D		
MYSTIC1516	17 1/2 (445mm)	19 (483mm)	15 (381mm)	16 1/2 (419mm)	8 (203mm)	See Template**	21 (533mm)

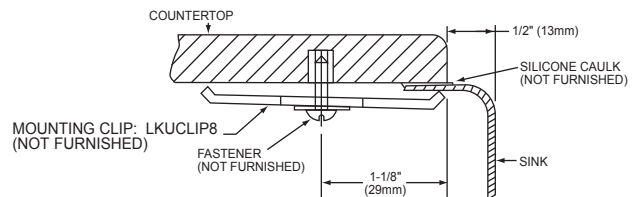
*Length is left to right. Width is front to back.

**Template is packed with every sink.



Installation Profile

The template provided with each sink provides the only type of installation recommended by Elkay.



In keeping with our policy of continuing product improvement, Elkay reserves the right to change product specifications without notice. Please visit elkayusa.com for most current version of Elkay product specification sheets.

This specification describes an Elkay product with design, quality and functional benefits to the user. When making a comparison of other producers' offerings, be certain these features are not overlooked.

Elkay

elkayusa.com

2222 Camden Court
Oak Brook, IL 60523

Printed in U.S.A.
©2010 Elkay

(Rev. 03/10) 1-294B