

Pacemaker® Single Bowl Hospitality Sink
20 Gauge, Type 304, Self Rim
Model BPSR, PSR Series



SPECIFICATIONS

GENERAL

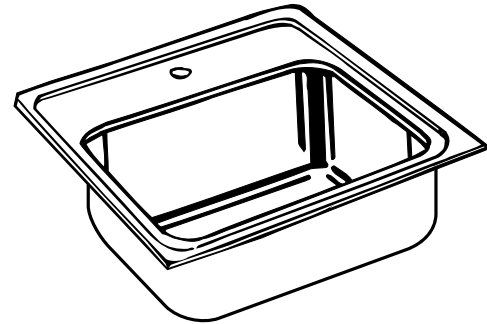
Fine quality Pacemaker single bowl hospitality sink is seamlessly drawn of #20 gauge, type 304 (18-8) nickel bearing stainless steel. Self-rimming.

DESIGN FEATURES

Bowl Depth: 6" (BPSR15), 7-1/4" (PSR models).
 Coved Corners: 1-3/4".
 Bowl and Faucet Deck Recess: 3/16" drop ledge.
 Finish: Exposed surfaces are polished to a lustrous, highlighted bright satin finish.
 Underside: Fully undercoated to prevent condensation and deaden sound.

OTHER

Drain Opening: 2" (BPSR15), 3-1/2" (PSR models).
 Faucet Holes: 1, 2, or 3 holes as indicated, 4" center to center.
 BPSR15 has 1-1/4" diameter faucet holes. All other sinks have 1-1/2" diameter faucet holes.
 NOTE: BPSR15 furnished 1 faucet hole unless otherwise specified. Other hospitality sink models furnished with 3 holes unless otherwise specified.
 These sinks comply with ANSI Standard A112.19.3M.



Model BPSR15

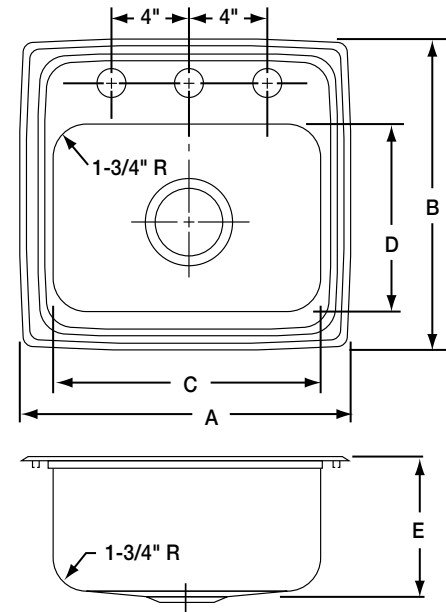


These sinks are listed by the International Association of Plumbing and Mechanical Officials as meeting the requirements of the Uniform Plumbing Code.

SINK DIMENSIONS (INCHES)*

Model Number	Overall		Inside Each Bowl			Cutout in Countertop (1 1/2" Radius Corners)		No. of Dia. Faucet Holes 4" Centers	Ship. Wt. Lbs.
	L	W	L	W	D	L	W		
	A	B	C	D	E				
BPSR15	15	15	12	9 1/4	6	14 3/8	14 3/8	1, 2 or 3	5 1/4
PSR1517	15	17 1/2	12	12	7 1/4	14 3/8	16 7/8	1, 2 or 3	8
PSR1716	17	16	14	10	7 1/4	16 3/8	15 3/8	1, 2 or 3	7 1/4
PSR1720	17	20	14	14	7 1/4	16 3/8	19 3/8	1, 2 or 3	10
PSR1918	19	18	16	11 1/2	7 1/4	18 3/8	17 3/8	1, 2 or 3	8 3/8

*Length is left to right. Width is front to back.



Model BPSR153 Illustrated

ALL DIMENSIONS IN INCHES, TO CONVERT TO MILLIMETERS MULTIPLY BY 25.4.

In keeping with our policy of continuing product improvement, Elkay reserves the right to change product specifications without notice.

This specification describes an Elkay product with design, quality and functional benefits to the user. When making a comparison of other producers' offerings, be certain these features are not overlooked.