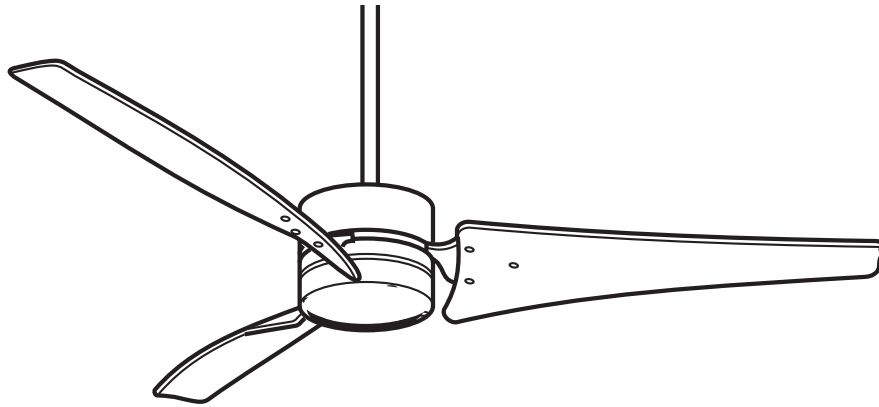


**READ AND SAVE THESE INSTRUCTIONS**



**EMERSON™**

**LOFT™**

**60" Damp Location  
Ceiling Fan Owner's Manual**

**Model Numbers**

**CF765BQ00 - Barbeque Black**

**CF765BS00 - Brushed Steel**

**CF765WW00 - Appliance White**

Net Weight: 16.7 Lbs.



**⚠ WARNING**

**WARNING:** To avoid fire, shock, and serious personal injury, follow these instructions.

**Safety Instructions**

1. Read your owner's manual carefully and keep it for future reference.
2. Before servicing or cleaning unit, switch power off at service panel and lock service panel disconnecting means to prevent power from being switched on accidentally. When the service disconnecting means cannot be locked, securely fasten a warning device, such as a tag, to the service panel.
3. Be careful of the fan and blades when cleaning, painting, or working near the fan. Always turn off the power to the ceiling fan before servicing.
4. Do not put anything into the fan blades while they are turning.
5. Do not operate reversing switch until fan blades have come to a complete stop.

**Additional Safety Instructions for Installation**

1. To avoid possible shock, be sure electricity is turned off at the fuse box before wiring, and do not operate fan without blades.
2. All wiring must be in accordance with the National Electrical Codes "ANSI/NFPA 70-1999" and Local Electrical Codes. Use the National Electrical Code if Local Codes do not exist. The ceiling fan must be grounded as a precaution against possible electrical shock. Electrical installation should be made or approved by a licensed electrician.
3. The outlet box and joist must be securely mounted and capable of reliably supporting at least 50 pounds. Use only U.L. outlet boxes listed as "Acceptable for Fan Support", and use the mounting screws provided with the outlet box. Most outlet boxes commonly used for support of light fixtures are not acceptable for fan support and may need to be replaced. Consult a qualified electrician if in doubt.
4. The downrod furnished with the fan proves the minimum recommended floor to fan blade clearance for an 8 foot ceiling.
5. The fan must be mounted with the fan blades at least 7 feet from the floor to prevent accidental contact with the fan blades.
6. Follow the recommended instructions for the proper method of wiring your ceiling fan. If you do not know enough about electrical wiring, have your fan installed by a licensed electrician.

**NOTE:** This fan is suitable for use with solid-state speed controls.

**WARNING:** To reduce the risk of fire or electric shock, this fan should only be used with fan speed control SW46, manufactured by Rhine Electric Co., Ltd.

**WARNING:** To avoid fire, shock or injury, do not use an Emerson or any other brand of control not specifically approved for this fan.

**WARNING:** This product is designed to use only those parts supplied with this product and/or any accessories designated specifically for use with this product by Emerson Electric Co. Substitution of parts or accessories not designated for use with this product by Emerson Electric Co. could result in personal injury or property damage.

**WARNING:** To reduce the risk of personal injury, do not bend the blade flange when installing the blade flanges, balancing the blades or cleaning the fan. Do not insert foreign objects in between rotating fan blades.

**WARNING:** To reduce the risk of electrical shock, this fan must be installed with an isolating wall control/switch.

***THIS FAN IS SUITABLE FOR DAMP LOCATIONS SUCH AS COVERED PORCHES, COVERED PATIOS, AND COVERED DECKS. . . ANYWHERE THERE IS A ROOF OVERHEAD.***

**DATE CODE:** \_\_\_\_\_

The date code of this fan may be found on the box, stamped in ink on a white label. You should record this data above and keep it in a safe place for future use.

# This Manual Is Designed to Make it as Easy as Possible for You to Assemble, Install, Operate and Maintain Your Ceiling Fan

## Tools Needed for Assembly

- One Phillips head screwdriver
- One stepladder
- One wire stripper

Installed Wire Length	Wire Size A.W.G.
Up to 50 ft.	14
50-100 ft.	12

## MATERIALS

Wiring, outlet box and box connectors must be of type required by the local code. The minimum wire would be a 3-conductor (2-wire with ground) of the following sizes:

### **WARNING**

Before assembling your ceiling fan, refer to section on proper method of wiring your fan (page 6). If you feel you do not have enough wiring knowledge or experience, have your fan installed by a licensed electrician.

## Unpacking Instructions

For your convenience, check-off boxes are provided next to each step. As each step is completed, place a check mark in the box. This will insure that all steps have been completed and will be helpful in finding your place should you be interrupted.

### **WARNING**

Do not install or use fan if any part is damaged or missing. Call Toll-Free:

**1-800-654-3545**

### **WARNING**

This product is designed to use only those parts supplied with this product and/or any accessories designated specifically for use with this product by Emerson Electric Co. Substitution of parts or accessories not designated for use with this product by Emerson Electric Co. could result in personal injury or property damage.

7. Four M5 external tooth lockwashers
8. Two 8-32 knurled nuts
9. Two #8 external tooth lockwashers
10. Two 8-32 x 1-1/4" threaded studs

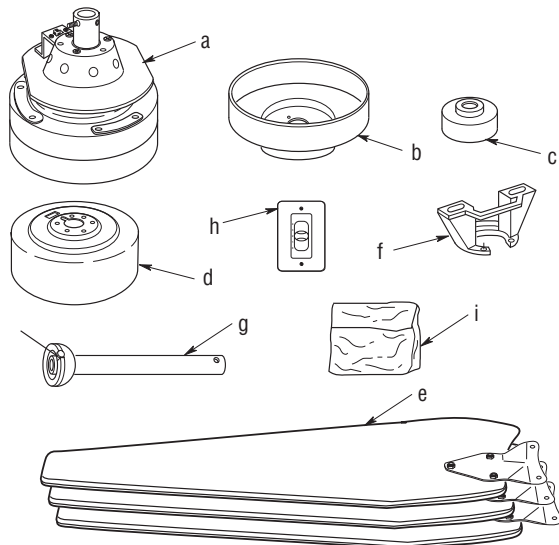
**NOTE: Intermixing blades between fans can cause excessive wobble. Keep blades in original sets of three.**

1. Unpack the items carefully to avoid damage to any of the components.

Check to see that you have received the following parts:

**NOTE: If you are uncertain of part description, refer to the exploded view illustration.**

- a. Fan motor assembly
- b. One ceiling cover
- c. One coupling cover
- d. One motor cover
- e. Three fan blade assemblies
- f. One hanger bracket
- g. One hanger ball/downrod assembly
- h. One SW46 wall control
- i. One loose parts bag, containing:
  1. One clevis pin
  2. One hairpin clip
  3. Three wire connectors
  4. Seven M6 x 12mm pan head blade screws
  5. Seven blade M6 lockwashers
  6. Four M5 x 10mm pan head screws



## Electrical Requirements

Your new ceiling fan will require a grounded electrical supply line of 120 volts AC, 60 Hz, 15 amp circuit.

The outlet box must be securely anchored and capable of withstanding a load of at least 50 pounds.

### **⚠ WARNING**

To reduce the risk of fire, electric shock, or personal injury, mount fan to outlet box marked "Acceptable for Fan Support of 50 lbs. or less", and use screws supplied with outlet box. Most outlet boxes commonly used for support of light fixtures are not acceptable for fan support and may need to be replaced. Consult a qualified electrician if in doubt.

If your fan is to replace an existing ceiling light fixture, turn electricity off at the main fuse box at this time and remove the existing light fixture.

### **⚠ WARNING**

Turning off wall switch is not sufficient. To avoid possible electrical shock, be sure electricity is turned off at the main fuse box before wiring. All wiring must be in accordance with National and Local codes and the ceiling fan must be properly grounded as a precaution against possible electrical shock.

## Assembly Instructions

**CAUTION:** The blade assemblies must be mounted on the motor assembly so that the raised lip edge is facing up (Figure 1).

1. Rotate the motor hub so the notched area is above the screw hole in the motor hub. Install one blade assembly on the top of the motor assembly using two M6 x 12mm pan head screws and two M6 lockwashers (supplied) (Figure 1). Repeat this procedure for the remaining two blade assemblies.

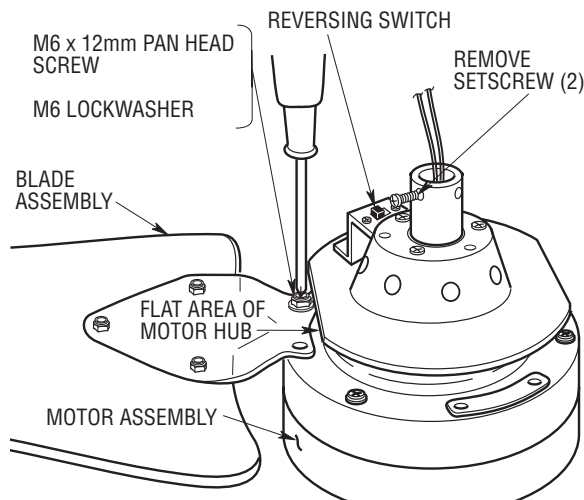


Figure 1

2. Remove the two setscrews from the top of the motor coupler (Figure 1). Retain the setscrews for future use.
3. Route the two 80" motor leads through the center hole in the motor cover. Place the motor cover over the motor by aligning the reversing switch hole in the cover over the reversing switch as shown in Figure 2. Secure by installing three M5 x 10mm pan head screws and three M5 external tooth lockwashers (supplied) (Figure 2).

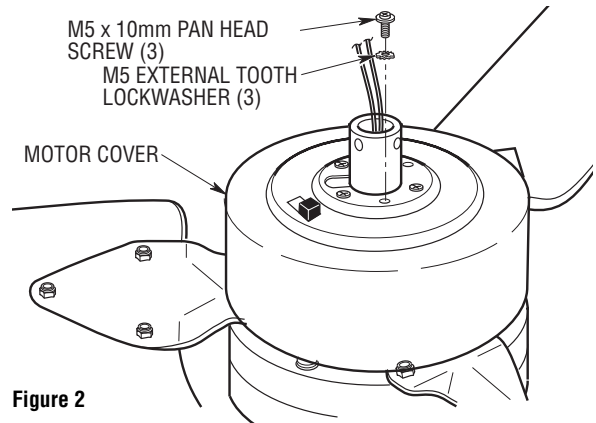


Figure 2

4. Remove the hanger ball by loosening the setscrew in the hanger ball until the ball falls freely down the downrod (Figure 3). Remove the pin from the downrod, then remove the hanger ball. Retain the pin and hanger ball for reinstallation in Step 9.

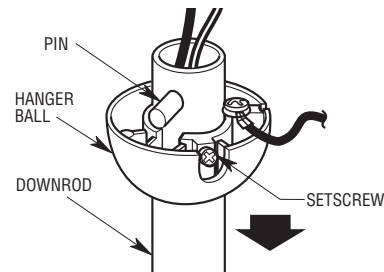


Figure 3

5. Separate, untwist and unkink the two motor leads, then route them through the hanger ball/downrod assembly and seat the downrod in the motor coupler (Figure 4).
6. Align the clevis pin holes in the downrod with the holes in the motor coupler. Install the clevis pin and secure with the hairpin clip (Figure 4). The clevis pin must go through the holes in the motor coupler. It is critical that the clevis pin in the motor coupler is properly installed and the setscrews securely tightened. Failure to verify that the pin and setscrews are properly installed could result in the fan falling.
7. Install two setscrews (previously removed in Step 2) in the motor coupler (Figure 4). While pulling up on the hanger ball, securely tighten both setscrews.

**⚠ WARNING**

It is critical that the clevis pin in the motor coupling is properly installed and the setscrews securely tightened. Failure to verify that the pin and setscrews are properly installed (as shown in Figure 4) could result in the fan falling.

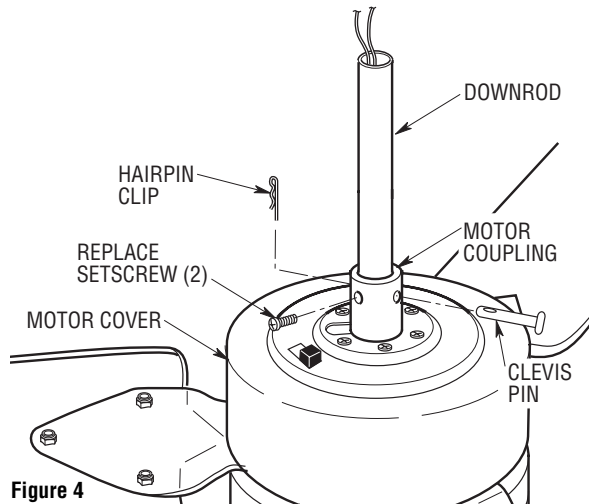


Figure 4

- 8. Make sure the grommet is properly installed in the coupling cover, then slide the coupling cover on the downrod until it rests on the motor housing. Place the ceiling cover over the downrod. Be sure that the ceiling cover and the coupling cover are both oriented correctly (Figure 5).

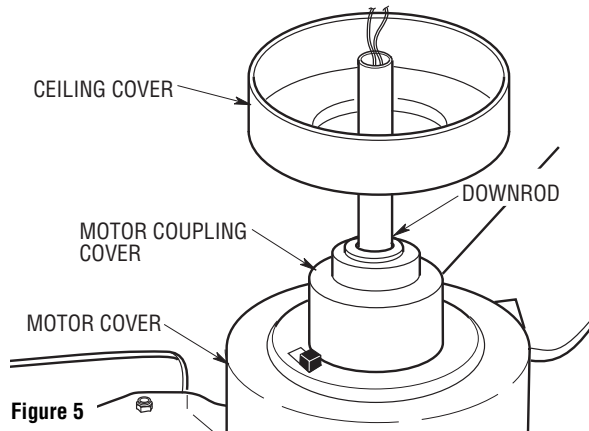


Figure 5

- 9. Reinstall the hanger ball (Figure 6) on the downrod as follows. Route the two 80" motor leads through the hanger ball. Position the pin through the two holes in the downrod and align the hanger ball so the pin is captured in the groove in the top of the hanger ball. Pull the hanger ball up tight against the pin and securely tighten the setscrew in the hanger ball. Loose setscrews could create fan wobble.

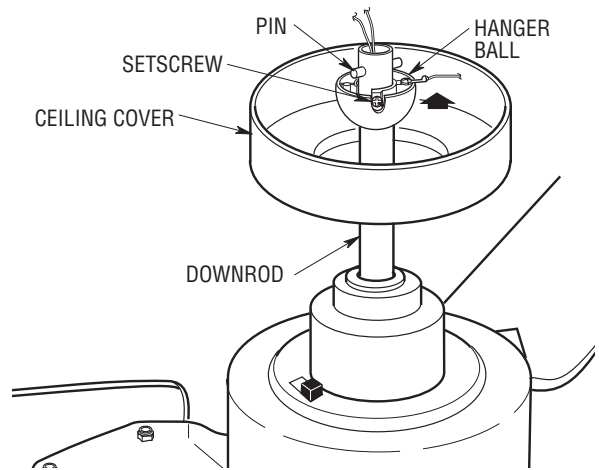


Figure 6

## How To Hang Your Ceiling Fan

**⚠ WARNING**

The fan must be hung with at least 7' of clearance from floor to blades (Figure 7).

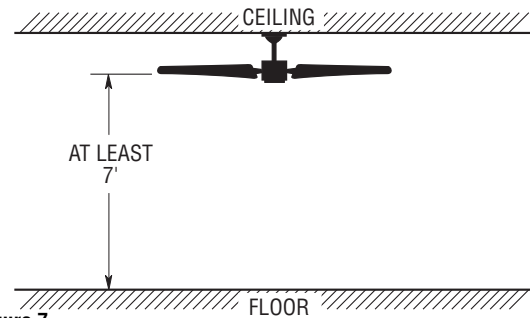


Figure 7

**⚠ WARNING**

The outlet box and joist must be securely mounted and capable of supporting at least 50 lbs. Use only a U.L. outlet box listed as "Acceptable for Fan Support of 50 lbs. or less".

**⚠ WARNING**

To reduce the risk of fire, electric shock, or personal injury, mount fan to outlet box marked "Acceptable for Fan Support of 50 lbs. or less", and use screws supplied with outlet box. Most outlet boxes commonly used for support of light fixtures are not acceptable for fan support and may need to be replaced. Consult a qualified electrician if in doubt.

- 1. Securely attach the hanger bracket to the outlet box using the two screws supplied with the outlet box (Figure 8).

**⚠ WARNING**

Hanger bracket must seat firmly against outlet box. If the outlet box is recessed, remove wall board until bracket contacts box. If bracket and/or outlet box are not securely attached, the fan could wobble or fall.

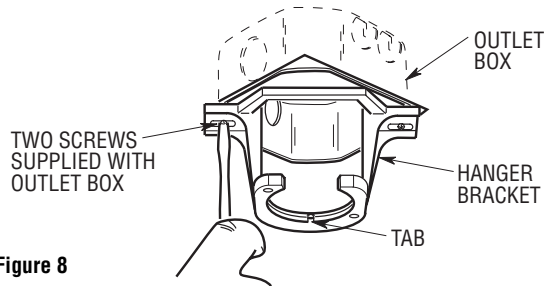


Figure 8

- 2. Carefully lift the fan and seat the hanger ball/downrod assembly on the hanger bracket that was just attached to the outlet box. Be sure the groove in the ball is lined up with the tab on the hanger bracket (Figure 9).

**⚠ WARNING**

Failure to seat tab in groove could cause damage to electrical wires and possible shock or fire hazard.

NOTE: CEILING COVER, SUPPLY WIRES AND FAN WIRES OMITTED FOR CLARITY.

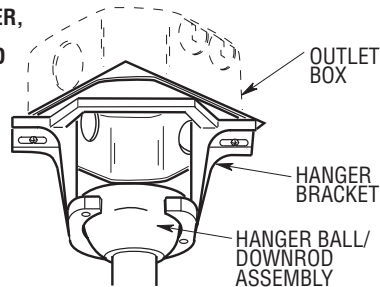


Figure 9

**⚠ WARNING**

To avoid possible fire or shock, do not pinch wires between the hanger ball/downrod assembly and hanger bracket.

## How To Wire Your Ceiling Fan and Install the Control

If you feel that you do not have enough electrical wiring knowledge or experience, have your fan installed by a licensed electrician.

**⚠ WARNING**

To avoid possible electrical shock, be sure electricity is turned off at the main fuse box before wiring.

**NOTE:** If you are not sure if the outlet box is grounded, contact a licensed electrician for advice, as it must be grounded for safe operation.

- 1. Connect the green grounding wire from the hanger ball, the green grounding wire from the hanger bracket to the grounding conductor of the supply (this may be a bare wire or wire with green colored insulation). Securely connect wires with wire connectors (supplied) (Figure 10).

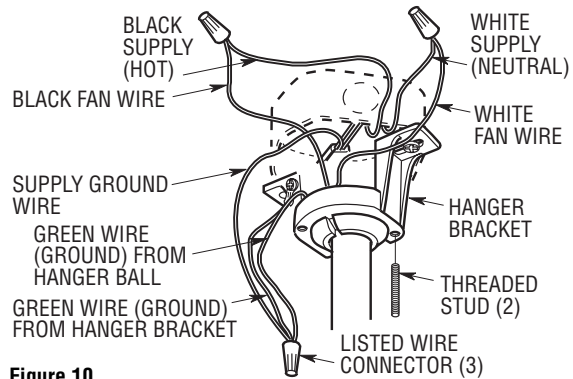


Figure 10

- 2. Securely connect the fan motor white wire to the supply white (neutral) wire using wire connector supplied (Figure 10). Securely connect the fan motor black wire to the supply black (hot) wire using wire connector supplied (Figure 10). After connections have been made, turn leads upward and carefully push the leads into the outlet box, with the wires spread apart and the white and green leads on one side of the outlet box and the black leads on the other side of the outlet box.

**⚠ WARNING**

Check to see that all connections are tight, including ground, and that no bare wire is visible at the wire connectors, except for the ground wire. Do not operate fan until blades are in place. Noise and fan damage could result.

- 3. Screw the two 1-1/4" threaded studs (supplied) into the tapped holes in the hanger bracket (Figure 11).
- 4. Lift the ceiling cover up to the threaded studs and turn until studs protrude through the holes in the ceiling cover (Figure 11).
- 5. Secure the ceiling cover in place by sliding lockwashers over the threaded studs and installing the two knurled knobs (supplied) (Figure 11). Tighten the knurled knobs securely until the ceiling cover fits snugly against the ceiling. Your fan is now wired to be turned on and off from the wall switch.

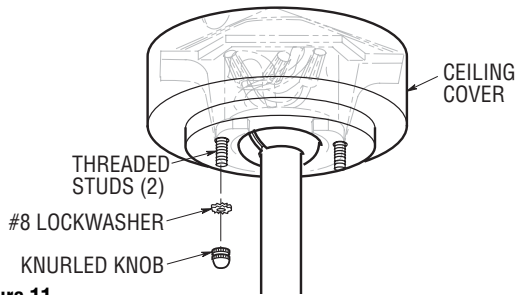


Figure 11

**⚠ WARNING**

To avoid possible fire or shock, make sure that the electrical wires are completely inside the outlet box and not pinched between the ceiling cover and the ceiling.

### General

This control is designed to operate only one ceiling fan

- 6. Before disconnecting power, ensure that the fan is set at the highest speed.

**NOTE: Electric connections should be in accordance with the National Electrical Codes and all Local Codes. Before starting, disconnect power to the circuit at the fuse box or circuit breaker panel.**

- 7. Remove the faceplate and screws from the existing wall switch. Pull switch out from wall outlet box.
- 8. Disconnect wire from existing fan wall switch (Figure 12).

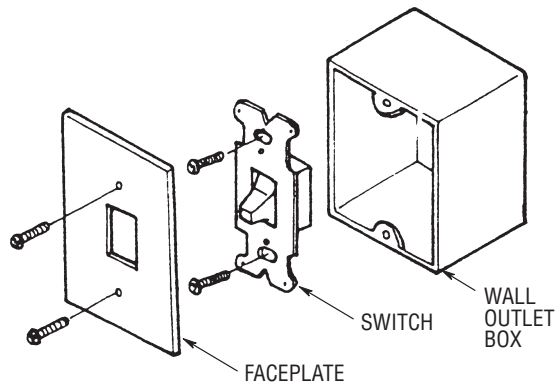


Figure 12

- 9. Slide the Fan Control to the OFF position (0).
- 10. Connect one BLACK wire from the Fan Control to the fan/motor lead with a wire connector (provided). (Figure 13.)

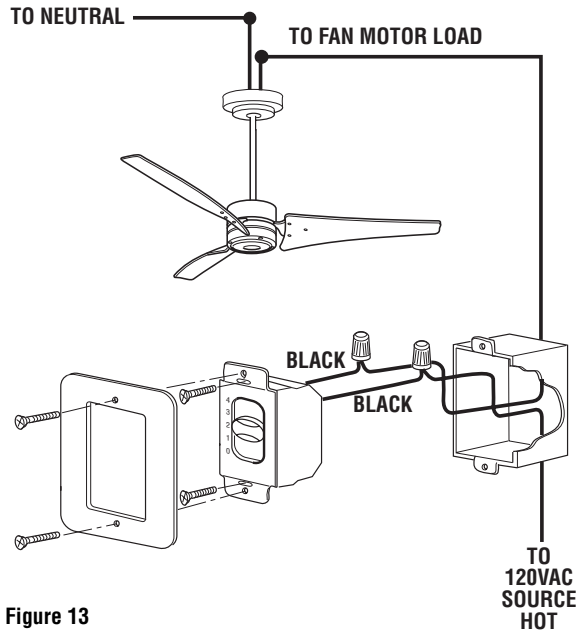
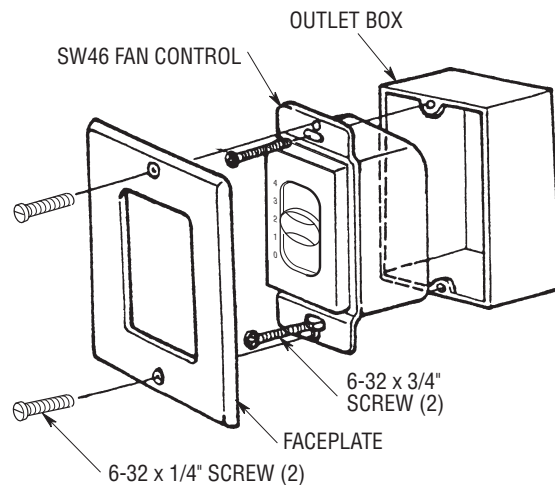


Figure 13

- 11. Connect the other BLACK wire from the Fan Control to the 120VAC hot wire with a wire connector (provided with control).

**NOTE: Use wire connectors (supplied) to secure electrical connections.**

- 12. Attach the Fan Control to the wall outlet box with two 6-32 x 3/4" screws (provided with control).
- 13. Position the faceplate (provided with control) onto the speed control. Using the two 6-32 x 1/4" screws, screw the faceplate and speed control to the wall outlet box (Figure 14).
- 14. Restore power at the main fuse box or circuit breaker panel.



7 Figure 14

# Using Your Ceiling Fan

- 4. The fan blades will turn in the opposite direction and reverse the airflow.

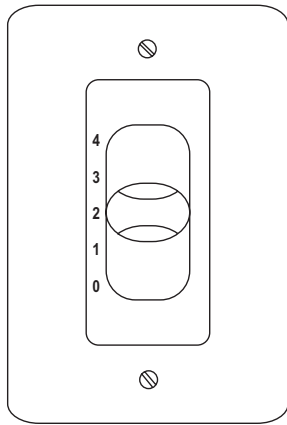


Figure 15

### IMPORTANT

Fan installation must be completed, including the installation of the fan blades, before testing of the controls.

- 1. Restore electrical power to the outlet box by turning the electricity on at the main fuse box.
- 2. Check the operation of the fan by sliding the bar of the control through the four positions marked 1 - 4 ("0" position is OFF) (Figure 15).
- 3. All fans are shipped from the factory with the reversing switch positioned to circulate air downward. If airflow is desired in opposite direction, turn your fan OFF and wait for the blades to stop turning, then slide the reversing switch to the opposite position, and turn fan on again (Figure 16).

Reverse Switch Information		
Season	Rotation Direction	Switch Position
Summer	Counter-Clockwise	Down
Winter	Clockwise	Up

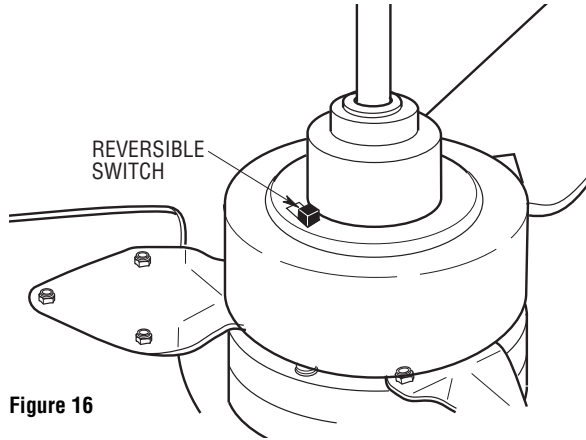


Figure 16

## Maintenance

### IMPORTANT CARE INSTRUCTIONS for your Ceiling Fan

Periodic cleaning of your new ceiling fan is the only maintenance that is needed.

When cleaning, use only a soft brush or lint free cloth to avoid scratching the finish.

Abrasive cleaning agents are not required and should be avoided to prevent damage to finish.

#### **⚠ WARNING**

Do not use water when cleaning your ceiling fan. It could damage the motor or the blades and create the possibility of an electrical shock.

## Accessories

- 1. Ceiling Fan Controls (see store or catalog).
- 2. Downrod Extension Kits (see store or catalog).

#### **⚠ WARNING**

The use of any other control not specifically approved for this fan could result in fire, shock and personal injury.

#### **⚠ WARNING**

This product is designed to use only those parts supplied with this product and/or any accessories designated specifically for use with this product by Emerson Electric Co. Substitution of parts or accessories not designated for use with this product by Emerson Electric Co. could result in personal injury or property damage.



## Energy Efficient Use of Ceiling Fans

Ceiling fan performance and energy savings rely heavily on the proper installation and use of the ceiling fan. Here are a few tips to ensure quality and product performance.

**Choosing the Appropriate Mounting Location.** Ceiling fans should be installed, or mounted, in the middle of the room and at least 7 feet above the floor and 18 inches from the walls. If ceiling height allows, install the fan 8 - 9 feet above the floor for optimal airflow. Consult your Emerson Retailer for optional mounting accessories.

**Using the Ceiling Fan Year Round.** In the summer, use the ceiling fan in the counter-clockwise direction. The airflow produced by the ceiling fan creates a wind-chill effect, making you "feel" cooler. Select a fan speed that provides a

comfortable breeze, lower speeds consume less energy. In the winter, reverse the motor and operate the ceiling fan at low speed in the clockwise direction. This produces a gentle updraft, which forces warm air near the ceiling down into the occupied space. Remember to adjust your thermostat when using your ceiling fan - additional energy and dollar savings could be realized with this simple step!

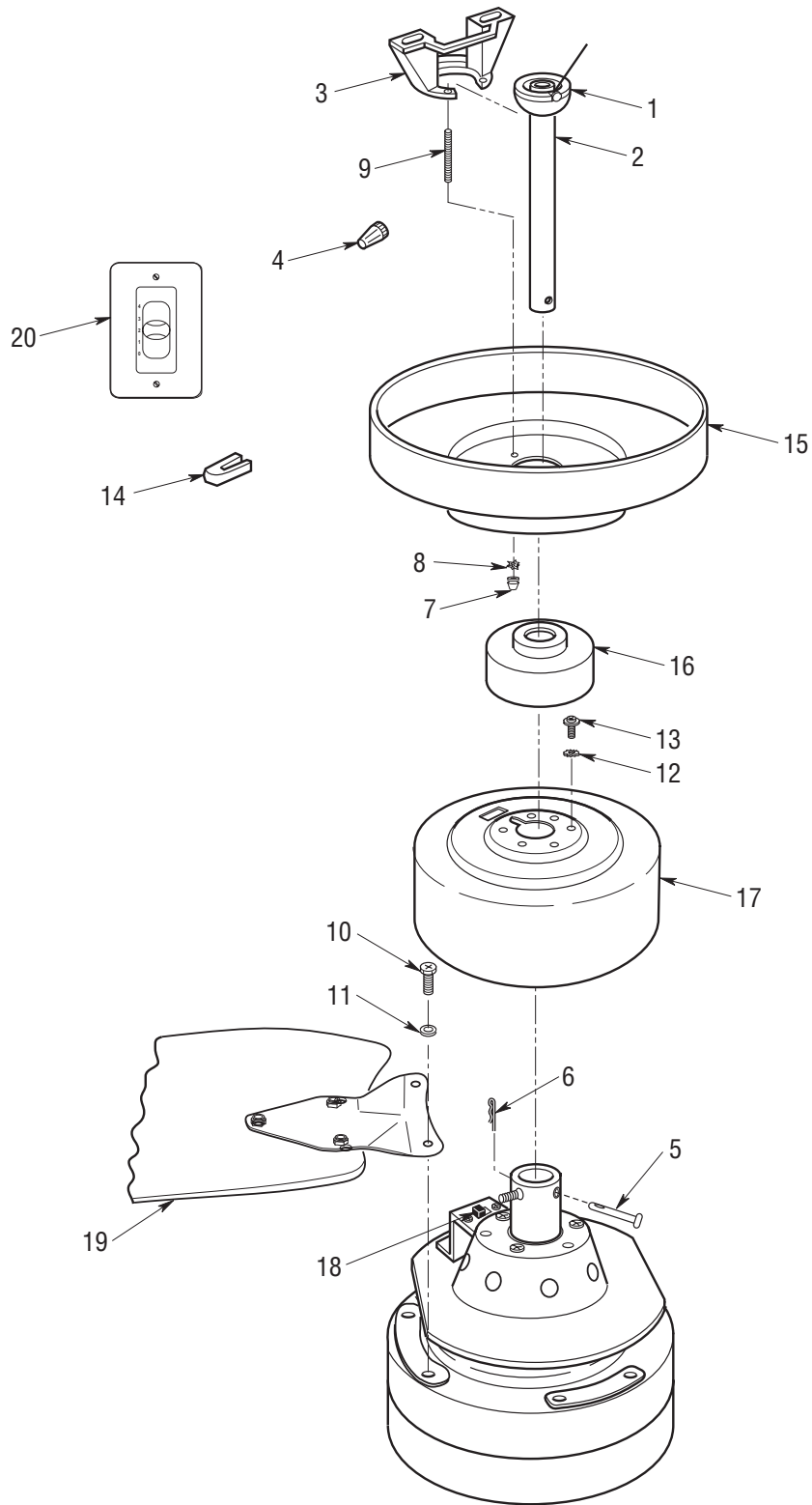
**Turn Off When Not in the Room.** Ceiling fans cool people, not rooms. If the room is unoccupied, turn off the ceiling fan to save energy.

**⚠ WARNING:** For your own safety, turn off power at fuse box or circuit breaker before trouble shooting your fan.

### Trouble Shooting

TROUBLE	PROBABLE CAUSE	SUGGESTED REMEDY
<b>1. Fan will not start.</b>	<ol style="list-style-type: none"> <li>1. Fuse or circuit breaker blown.</li> <li>2. Loose power line connections to the fan, or loose switch wire connections in the switch housing.</li> <li>3. Reversing switch in neutral position.</li> </ol>	<ol style="list-style-type: none"> <li>1. Check main and branch circuit fuses or circuit breakers.</li> <li>2. Check line wire connections to fan and switch wire connections in the switch housing.</li> <li>▲ <b>WARNING: Make sure main power is turned OFF.</b></li> <li>3. Make sure reversing switch position is all the way to one side.</li> </ol>
<b>2. Fan sounds noisy.</b>	<ol style="list-style-type: none"> <li>1. Blades not attached to fan.</li> <li>2. Loose screws in motor housing.</li> <li>3. Screws securing fan blade flanges to motor hub are loose.</li> <li>4. Wire connectors inside switch housing rattling.</li> <li>5. Screws holding blades to flanges are loose.</li> </ol>	<ol style="list-style-type: none"> <li>1. Attach blades to fan before operating.</li> <li>2. Check to make sure all screws in motor housing are snug (not over-tight).</li> <li>3. Check to make sure the screws which attach the fan flanges to the motor hub are tight.</li> <li>4. Check to make sure wire connectors in switch housing are not rattling against each other or against the interior wall of the switch housing.</li> <li>▲ <b>WARNING: Make sure main power is turned OFF.</b></li> <li>5. Tighten screws securely.</li> </ol>
<b>3. Fan wobbles excessively.</b>	<ol style="list-style-type: none"> <li>1. Setscrew in motor coupling is loose.</li> <li>2. Setscrew in hanger ball/downrod assembly is loose.</li> <li>3. Screws securing fan blade flanges to motor are loose.</li> <li>4. Fan blade flanges not seated properly.</li> <li>5. Hanger bracket and/or ceiling outlet box is not securely fastened.</li> <li>6. Fan blades out of balance.</li> </ol>	<ol style="list-style-type: none"> <li>1. Tighten both setscrews securely in the motor coupling.</li> <li>2. Tighten the setscrew in the hanger ball/downrod assembly.</li> <li>3. Check to be sure screws which attach the fan blade flanges to the motor are tight.</li> <li>4. Check to be sure the fan blade flanges seat firmly and uniformly to the surface of the motor. If flanges are seated incorrectly, loosen the flange screws and retighten according to the procedure in the section on "How to Put Your Ceiling Fan Together".</li> <li>5. Tighten the hanger bracket screws to the outlet box, and/or secure outlet box.</li> <li>6. Interchanging an adjacent (side-by-side) blade pair can redistribute the weight and result in smoother operation.</li> </ol>

# Repair Parts



## Repair Parts Listing

Key No.	Description	Part Numbers		
		Model No. CF765BQ00	Model No. CF765BS00	Model No. CF765WW00
*	Hanger Ball Assembly, Consisting of:	761655-78	761655-27	761655-79
1	Hanger Bracket	—	—	—
2	Hanger Ball	—	—	—
3	Downrod	—	—	—
*	Parts Bag Containing:	763812-1	763812	763812
4	Wire Connector (3)	—	—	—
5	Pin, Clevis	—	—	—
6	Clip, Hairpin	—	—	—
7	Nut, Knurled, 8-32 (2)	—	—	—
8	Lockwasher, External Tooth, #8 (2)	—	—	—
9	Stud, Threaded, 8-32 x 1-1/4" (2)	—	—	—
10	Screw, Pan Head, M6 x 12mm (7)	—	—	—
11	Lockwasher, M6 (7)	—	—	—
12	Lockwasher, M5 (4)	—	—	—
13	Screw, Pan Head, M5 x 10mm (4)	—	—	—
14	Balancing Kit (1)	—	—	—
15	Cover, Ceiling	763804-BQ	763804-BS	763804-WW
16	Cover, Motor Coupling	763805-BQ	763805-BS	763805-WW
17	Housing, Upper	763806-BQ	763806-BS	763806-WW
18	Harness, Wiring	763811	763811	763811
19	Flange/Blade Assembly (set of 3)	763808-BQ	763808-BS	763808-WW
20	SW46 Wall Control	SW46	SW46	SW46
—	Owner's Manual	BP7378	BP7378	BP7378

**Before discarding packaging material, be certain all parts have been removed.**

### HOW TO ORDER REPAIR PARTS

WHEN ORDERING REPAIR PARTS, ALWAYS GIVE THE FOLLOWING INFORMATION:

- PART NUMBER
- NAME OF ITEM
- PART DESCRIPTION
- MODEL NUMBER

The model number of your Fan will be found on a label attached to the top housing.

For repair parts, phone 1-800-654-3545.

## LIMITED WARRANTY

### **What The Warranty Covers:**

This warranty covers the motor and the other components and accessories of your Emerson ceiling fan against all defects in workmanship and materials. You must be the original purchaser or user of the product to be covered.

### **What The Period Of Coverage Is:**

As it applies to the motor, this warranty will last for the lifetime of your ceiling fan. All other components and accessories are covered by this warranty for one year from the date you purchased your ceiling fan. ANY IMPLIED WARRANTY OF MERCHANTABILITY OR FITNESS FOR A PARTICULAR PURPOSE, MADE WITH RESPECT TO COMPONENTS AND ACCESSORIES IS ALSO LIMITED TO ONE YEAR.

### **What Will Emerson Electric Co. Do To Correct Problems:**

Emerson Electric Co. will replace a defective Emerson Air Comfort Ceiling Fan motor, blade, component or other accessory at no charge to you. If repair of the motor or blades is not practical or possible within a reasonable time and no replacement can be provided, Emerson Electric Co. will refund the actual purchase price of your fan. We will ship the repaired product or replacement to you at no charge, but you are responsible for all costs or removal, reinstallation and shipping of the product to Emerson Electric Co.

### **How Can You Get Service:**

YOU MUST HAVE PROOF OF YOUR PURCHASE OF THE CEILING FAN TO OBTAIN LIMITED WARRANTY SERVICE. KEEP YOUR RECEIPT OR OTHER PROOF OF PURCHASE. You can return the product to our factory or to your nearest authorized service center.

- To return the product to the factory, obtain a return authorization and service identification tag by writing to Air Comfort Products, Division of Emerson Electric Co., 8100 W. Florissant Ave., St. Louis, MO 63136. Include all model numbers shown on the product with your request.
- To return the product to an authorized service center, call 1-800-654-3545 for the address of the nearest authorized service center.

You will be responsible for all insurance, freight or other transportation charges to our factory or authorized service center. Your Emerson Air Comfort Ceiling Fan should be properly packed to avoid damage in transit since we will not be responsible for any such damage.

### **What Is Not Covered:**

The glass globes and light bulbs of your ceiling fan are not covered by this warranty. This warranty also does not cover any defects, malfunctions or failures caused by:

- Repairs by persons not authorized by Emerson Electric Co.,
- Use of parts or accessories not authorized by Emerson Electric Co.,
- Mishandling, improper installation, modifications or damage to your ceiling fan while in your possession, or
- Unreasonable use, misuse, abuse, including failing to do reasonable and necessary maintenance, and normal wear and tear.

Additionally, this warranty and any implied warranty of merchantability or fitness for a particular purpose are voided when:

- The original purchaser or user ceases to own the product, or
- The fan is moved from its original point of installation.

This warranty is only valid within the 50 states of the United States and the District of Columbia. No other written or oral warranties apply, and no employee, agent, dealer or other person is authorized to give any warranties on behalf of Emerson Electric Co.

REPAIR, REPLACEMENT OR A REFUND ARE THE EXCLUSIVE REMEDIES AVAILABLE UNDER THIS WARRANTY AND EMERSON IS NOT RESPONSIBLE FOR DAMAGES OF ANY KIND, INCLUDING INCIDENTAL AND CONSEQUENTIAL DAMAGES. Incidental damages include but are not limited to such damages as loss of time and loss of use. Consequential damages include but are not limited to the cost of repairing or replacing other property which was damaged if this product does not work properly.

### **How State Law Relates To The Warranty:**

Some states do not allow the exclusion or limitation of incidental or consequential damages so the above exclusion or limitation may not apply to you. This warranty gives you specific legal rights, and you may also have other rights which vary from state to state.



**EMERSON**

**Air Comfort Products**

DIVISION OF EMERSON ELECTRIC CO.  
8100 W. Florissant • St. Louis, MO 63136