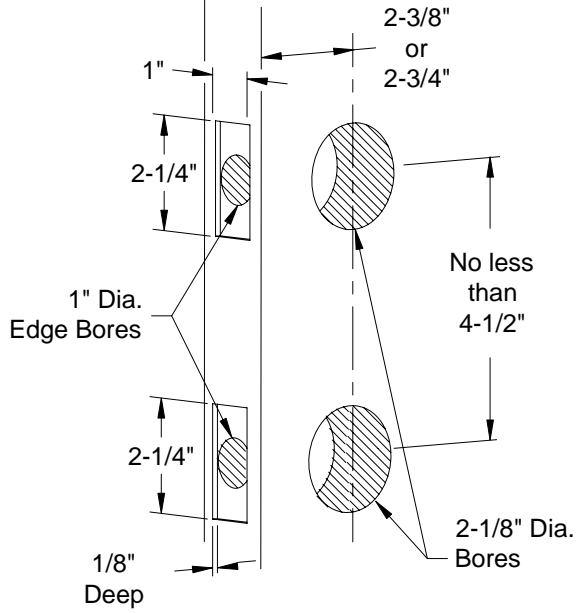
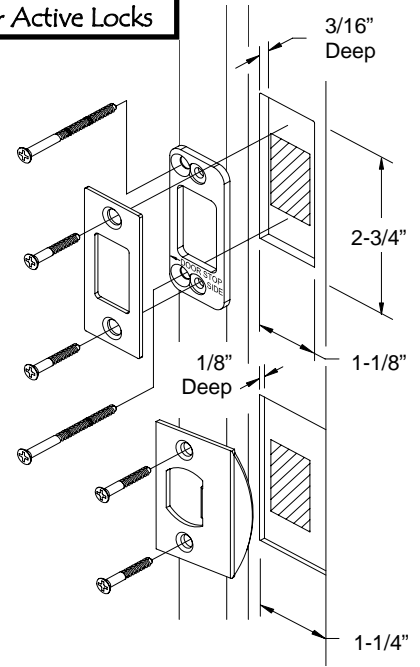


Installation Instructions-Tubular Sectional Entry Set - Single Cylinder Deadbolt

Door Prep - Active Lock

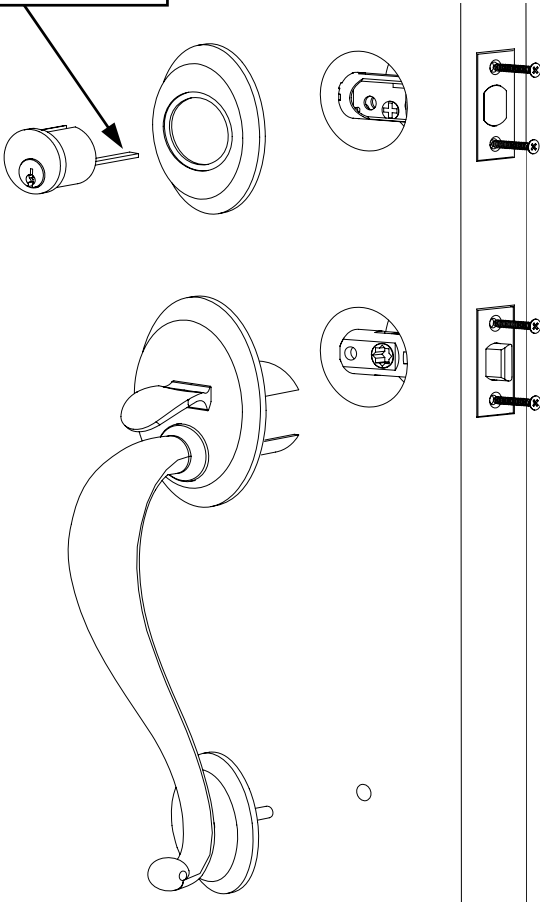


Door Jamb for Active Locks

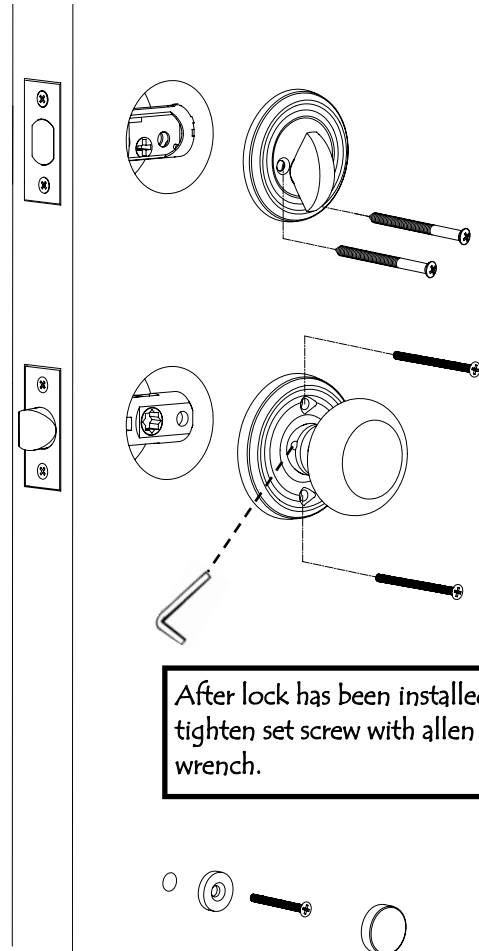


Outside Trim

Tailpiece Horizontal



Inside Trim



After lock has been installed tighten set screw with allen wrench.

Plates and grip vary depending on style.