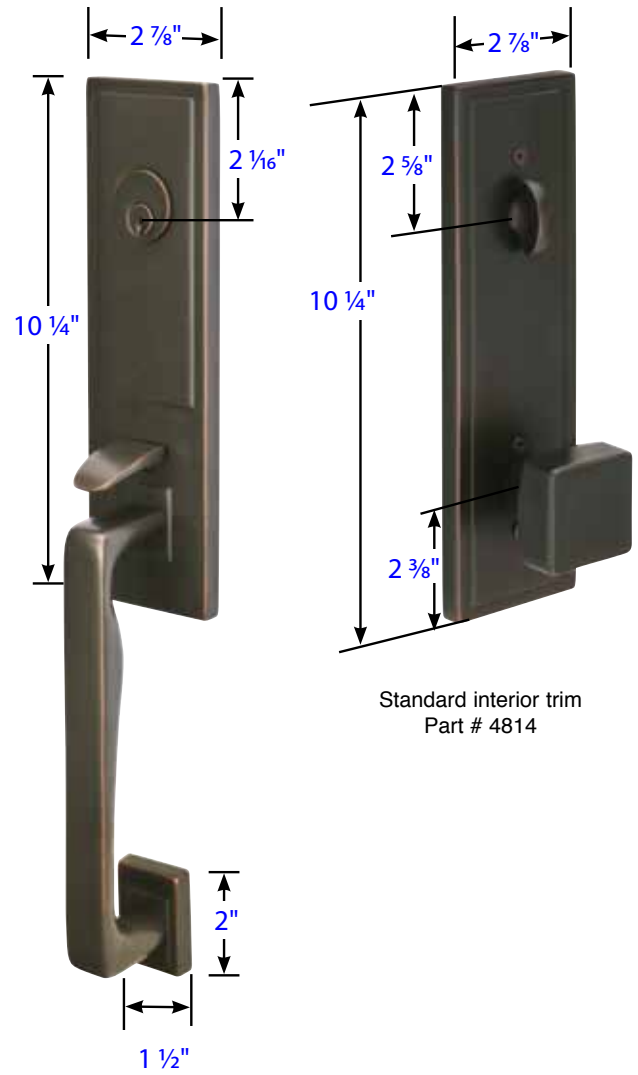


Ares Style  
Part # 4817



Standard interior trim  
Part # 4814

Zeus Style  
Part # 4814

**Additional Dimensions: (Part # 4817)**

- Exterior Projection is 2 3/4"
- Interior Projection Depends on Handle Style
- Overall Grip thickness: 1 1/16"
- Clearance between door & grip is 1"- 1 3/8"
- Plates thickness: 7/16"

***Same Dimensions for Dummy Function***

**Additional Dimensions: (Part # 4814)**

- Exterior Projection is 2 1/2"
- Interior Projection Depends on Handle Style
- Overall Grip thickness: 1 1/16"
- Clearance between door & grip is 1"- 1 3/8"
- Plates thickness: 7/16"

***Same Dimensions for Dummy Function***