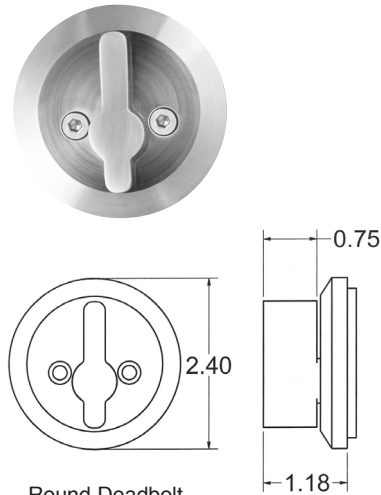
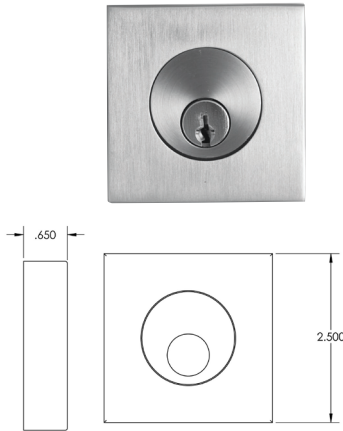


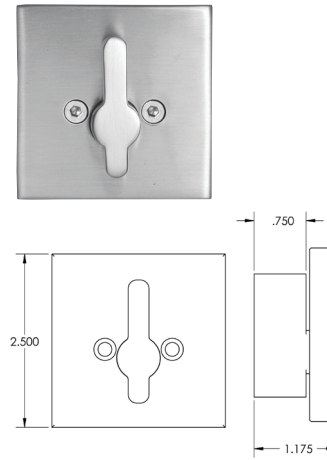
Round Deadbolt  
Single Cylinder  
Part # S50001



Round Deadbolt  
Double Cylinder  
Part # S50002



Square Deadbolt  
Single Cylinder  
Part # S50003



Square Deadbolt  
Double Cylinder  
Part # S50023

**Round & Square Deadbolts, Single Cylinder**  
Round (S50001) & Square (S50003)

- Standard Door Thickness: 1<sup>3</sup>/<sub>8</sub>"- 2"
- Standard Components:
  - Single Cylinder Tailpiece
  - 2<sup>1</sup>/<sub>4</sub>" Socket Head Machine Screws
  - Deadbolt Strike Plate

- **Extended** Door Thickness: 2"- 2<sup>1</sup>/<sub>2</sub>"
- Extended Components:
  - Long Cylinder Tailpiece
  - 2<sup>1</sup>/<sub>2</sub>" & 3" Socket Head Machine Screws
  - Deadbolt Strike Plate

- **Extended** Door Thickness: 2<sup>1</sup>/<sub>2</sub>"- 2<sup>3</sup>/<sub>4</sub>"
- Extended Components:
  - Extra Long Cylinder Tailpiece
  - 3<sup>1</sup>/<sub>2</sub>" Socket Head Machine Screws
  - Deadbolt Strike Plate

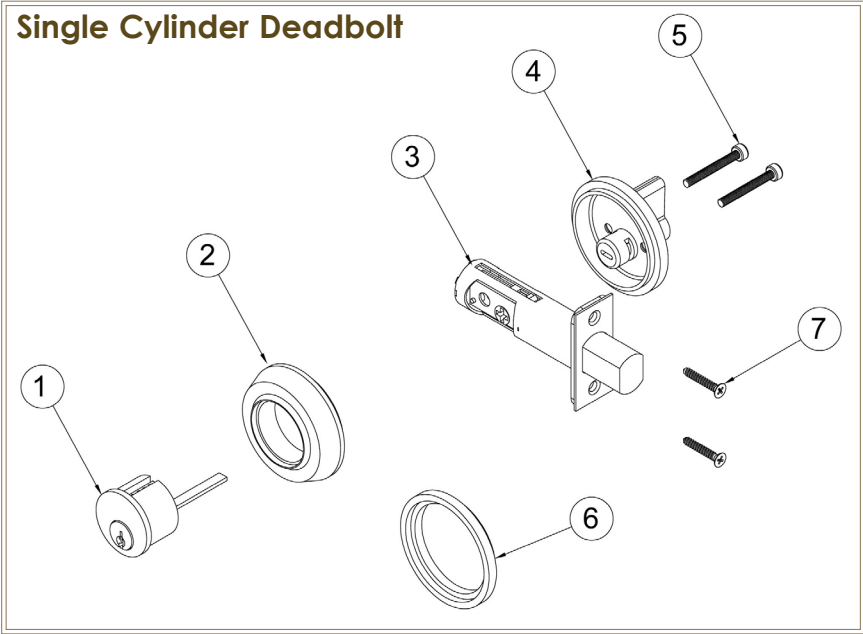
**Round & Square Deadbolts, Double Cylinder**  
Round (S50002) & Square (S50023)

- Standard Door Thickness: 1<sup>3</sup>/<sub>8</sub>"- 2"
- Standard Components:
  - Double Cylinder Tailpiece
  - 2<sup>1</sup>/<sub>4</sub>" Socket Head Machine Screws
  - Deadbolt Strike Plate

- **Extended** Door Thickness: 2"- 2<sup>1</sup>/<sub>2</sub>"
- Extended Components:
  - Long Double Cylinder Tailpiece
  - 3" Socket Head Machine Screws
  - Deadbolt Strike Plate

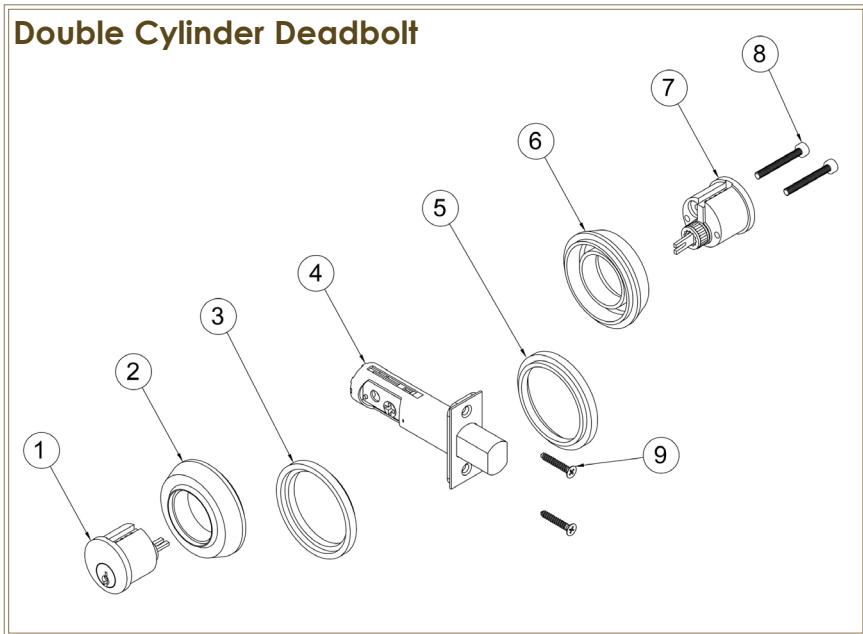
**Door Prep Specifications:**

- Fits standard door prep--2 1/8" face bore & 1" edge bore.
- Fits a range of door thickness from 1 3/8" to 2". Thicker doors--please specify.



**Legend**

- 1) Deadbolt Cylinder
- 2) Outside Rosette
- 3) Deadbolt Latch
- 4) Inside Rosette with Thumbturn
- 5) Socket Head Machine Screws
- 6) Deadbolt Ring (for Thinner Doors)
- 7) Latch Wood Screws



**Legend**

- 1) Outside Double Deadbolt Cylinder
- 2) Outside Rosette
- 3) Outside Deadbolt Ring (for Thinner Doors)
- 4) Deadbolt Latch
- 5) Inside Deadbolt Ring (for Thinner Doors)
- 6) Inside Rosette
- 7) Inside Double Deadbolt Cylinder
- 8) Socket Head Machine Screws
- 9) Latch Wood Screws

**Latches:**

Deadbolt:

- Hardened Steel Bolt
- 2 3/8" backset standard
- 2 3/4" backset available--please specify
- Heavy gauge steel understrike and brass trim strike supplied

**Strike & Face Plates:**

- Strike & faceplates are square cornered
- Strike Plate-- 1 1/8"W x 2 3/4"H
- Face Plate-- 1"W x 2 1/4"H (attached to latch)
- Understrike Plate--1 1/8"W x 2 3/4"H
- See page 17 for detailed diagram