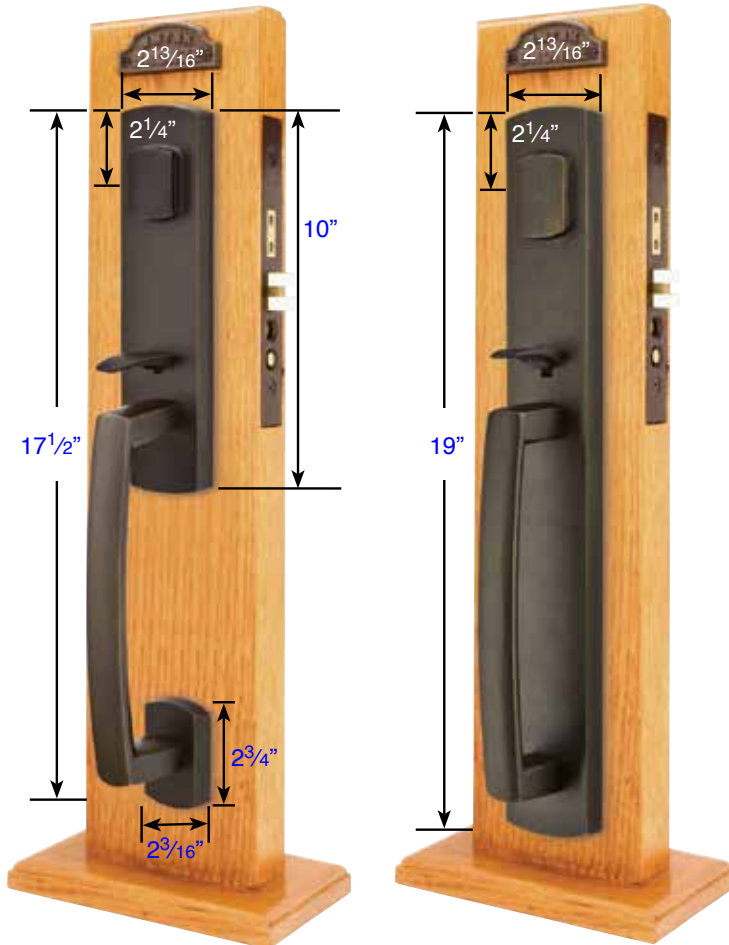
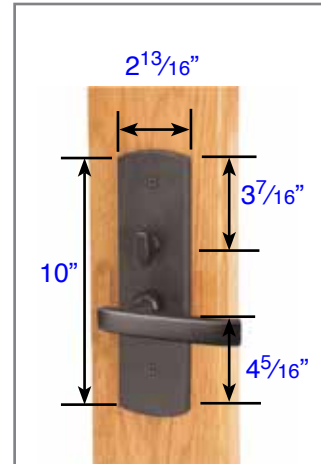


Entrance Handlesets - Sandcast Bronze Sonoma & Longmont Mortise



Sonoma Entryset  
Part # 3329

Longmont Entryset  
Part # 3330



Order any Sandcast Bronze knob or lever for the inside trim.

**Standard with Mortise Locks**

- 2 1/2" or 2 3/4" backsets
- Standard Mortise Door Prep ANSI A115.1
- Schlage C Keyway

**Additional Dimensions: (Part # 3329 & 3330)**

- Exterior Projection is 3 1/8"
- Interior Projection Depends on Handle Style
- Overall Grip thickness: 1 3/4"
- Clearance between door & grip is 1 3/4"
- Plates thickness: 1/2"

**Same dimensions for dummy function**

**Door Thickness Specifications**

**Standard Door Thickness: 1 3/4"**

Standard Components:

- 1 3/8" Threaded Cylinder
- 2" Long Spindle
- 2" Top Rosette Screw
- 1 1/2" Bottom Rosette Screw
- Thumbpress
- Strikeplate

**Extended Door Thickness: 1 7/8" - 2 1/4"**

Extended Components:

- 1 1/2" Threaded Cylinder
- 2" Long Spindle
- 2 1/2" Top Rosette Screw
- 2" Bottom Rosette Screw
- Thumbpress
- Strikeplate

**Extended Door Thickness: 2 3/8" - 2 5/8"**

Extended Components:

- 1 3/4" Threaded Cylinder
- 2 1/4" Long Spindle
- 2 1/2" Top Rosette Screw
- 2" Bottom Rosette Screw
- Extended Thumbpress
- Extended Strikeplate
- **2 3/4" TD Requires 2" Threaded Cylinder**