



✉ 33 West Beaver Creek Road Richmond Hill  
 Ontario Canada L4B 1L8  
 ☎ 800.660.5391  
 📠 800.660.5390  
 📧 info@eurofase.com  
 🌐 www.eurofase.com



## IN-GROUND , 2-LIGHT IN-GROUND TWIN MR11

### Product Specifications

Collection: Illuminations  
 Model No.: 19553  
 Height: 3.88"  
 Width: 3.13"  
 Length: 8"  
 Est. Shipping Weight: 2.566665 lbs  
 No. of Bulbs: 2  
 Bulb Wattage: 20 watts  
 Bulb Type: MR11/C  
 Bulb Base: GU4  
 Bulb Voltage: 12 volts

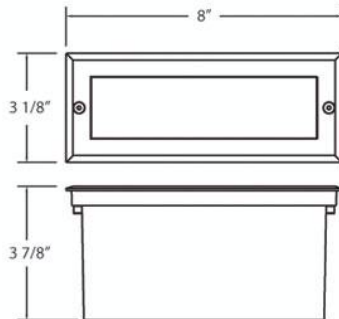
### Options Available

ITEM CODE	FINISH	SHADE
19553-016	steel	n/a

### Colour / Shades Available

FINISH	SHADE
steel	n/a

Rectangular MR11 dual up-light. 12V input, remote transformer required, sold separately. Tempered safety glass lens. Stainless steel outer trim. Cast aluminum metal body with powder coat finish. PVC mounting housing included.



### Project Information

Job Name: \_\_\_\_\_ Date: \_\_\_\_\_ Type: \_\_\_\_\_  
 Comments: \_\_\_\_\_