



✉ 33 West Beaver Creek Road Richmond Hill
Ontario Canada L4B 1L8
☎ 800.660.5391
📠 800.660.5390
✉ info@eurofase.com
🌐 www.eurofase.com

CRONOS , LED WALL SCONCE

Product Specifications

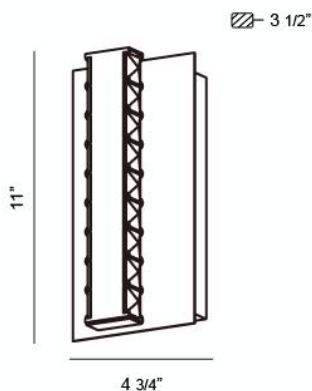
Collection: Illuminations
Model No.: 20403
Height: 11"
Extension: 3.5"
Length: 4.75"
Est. Shipping Weight: 3.494333 lbs
No. of Bulbs: 6 Inc.
Bulb Wattage: 1 watts
Bulb Type: LED ^{120V}
Bulb Base: LED

Options Available

ITEM CODE	FINISH	SHADE
20403-010	chrome	clear crystal

Colour / Shades Available

FINISH	SHADE
chrome	<input type="radio"/> clear crystal



Project Information

Job Name: _____ Date: _____ Type: _____
Comments: _____