



3LT, TRIMLESS MULTIPLE RECESSED, MR16, W/TRANSFORMER

Product Specifications

Collection:	Illuminations
Item No.:	TE213TR-01
Height:	5.18"
Width:	4"
Length:	12.06"
Est. Shipping Weight:	6.60 lbs
No. of Bulbs:	3
Bulb Wattage:	50 watts
Bulb Type:	MR16/C
Bulb Base:	GU5.3
Bulb Voltage:	12 volts

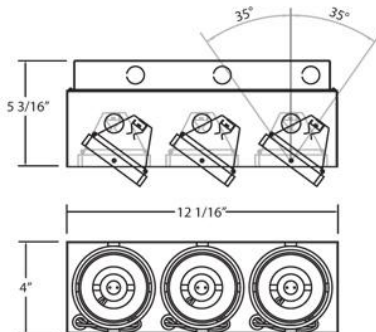
Options Available

ITEM CODE	FINISH	SHADE
TE213TR-01	black	n/a
TE213TR-02	white	n/a

Colour / Shades Available

FINISH	SHADE
black	n/a
white	n/a

Recessed multi-light fixture series. Designed for remodel applications but also suitable for new construction applications. Adjustable 35° on both axis for aiming in any direction. Invisible trim with plaster frame.



Project Information

Job Name: _____ Date: _____ Type: _____
 Comments: _____