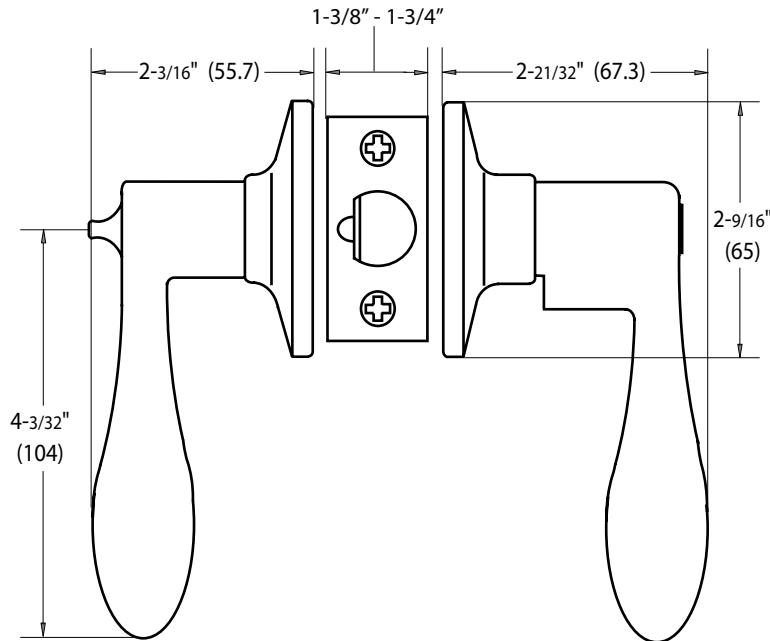


ROYAL LEVER LOCKSET



DIMENSIONS



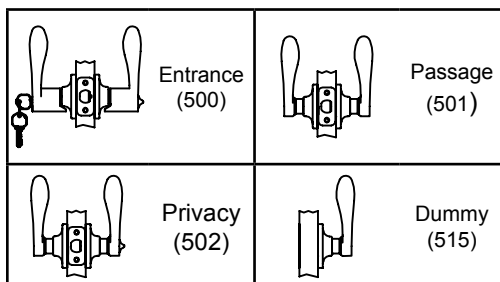
STANDARD SPECIFICATIONS

Door Prep	Cross bore: 2-1/8" Edge bore: 1" Latch face: 1" x 2-1/4"
Backset	Fits 2-3/8" and 2-3/4"
Door Thickness	1-3/8" ~ 1-3/4" door standard
Cylinder	KW1 5-pin standard (Solid Brass) SC1 5-Pin optional. Entries packed KA5
Latches	Entrance: 2-3/8" & 2-3/4" adjustable (9045R) Passage/Privacy: 2-3/8" & 2-3/4" adj. (9074) Faceplate: 1" x 2-1/4" round corner Bolt: 1/2" throw
Strikes	1-3/4" x 2-1/4" full lip round corner (9103)
Wood Screws	Combination screws that suit both wood or metal door mounting
Door Handing	Reversible. Handing required for Dummy function only

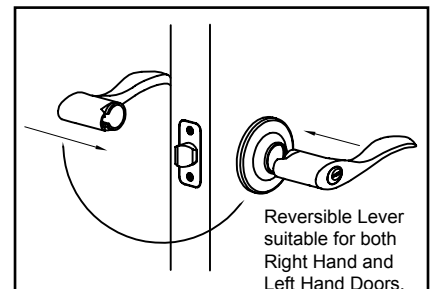
PRICING

Model	Function	WT/CTN	CTN QTY		US15	US3	US15A	US10B	US12P
500T - RY	Entrance	26 Lbs	20 Pcs	Item No.	220820	220823	220828	220829	220827
				List Price					
501T - RY	Passage	23 Lbs	20 Pcs	Item No.	224820	224823	224828	224829	224827
				List Price					
502T - RY	Privacy	24 Lbs	20 Pcs	Item No.	222820	222823	222828	222829	222827
				List Price					
515 - RY	Dummy	15 Lbs	20 Pcs	Item No.	225820	225823	225828	225829	225827
				List Price					

FUNCTIONS



HANDING GUIDE



THE DELANEY CO.

Copyright © THE DELANEY CO. All rights reserved.