

EZSET Specifications



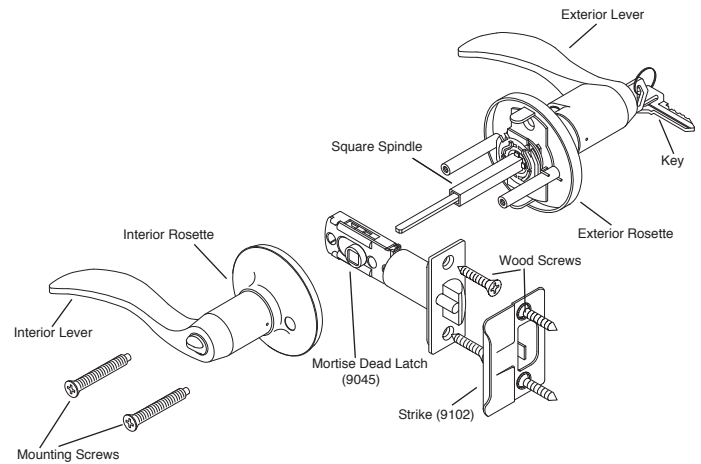
Philadelphia Hardware Group

500TZ Series Leverset

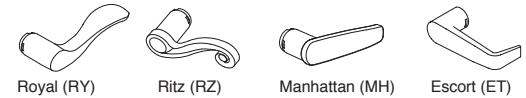
Meets ANSI Grade 3 Standards

STANDARD SPECIFICATIONS

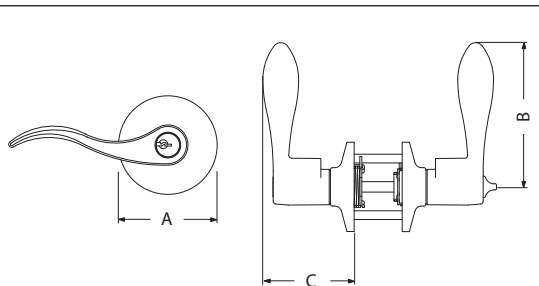
Door Prep	Cross bore: 2-1/8". Edge bore: 1". Latch face" 1" x 2-1/4".
Backset	Fits 2-3/8" and 2-3/4" both.
Door Thickness	1-3/8" ~ 1-3/4" door standard.
Cylinder	KW1 5-pin standard.
Latch	Entrance: 2-3/8" and 2-3/4" adjustable. (9045R) Privacy/Passage: 2-3/8" and 2-3/4" adjustable. (9074) Faceplate: 1" x 2-1/4" round corner. Bolt: 1/2" throw.
Strike	1-3/4" x 2-1/4" full lip round corner. (9103)
Wood Screws	Combination screws that suit both wood or metal door mounting.
Door Handing	RY & RZ: Reversible levers MH & ET: Non-handed levers *Handing required for dummy function and exterior with knob only.



Optional for Lever Designs

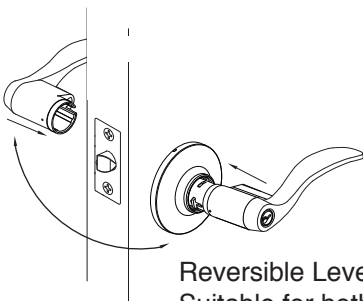


DIMENSIONS (Entrance)



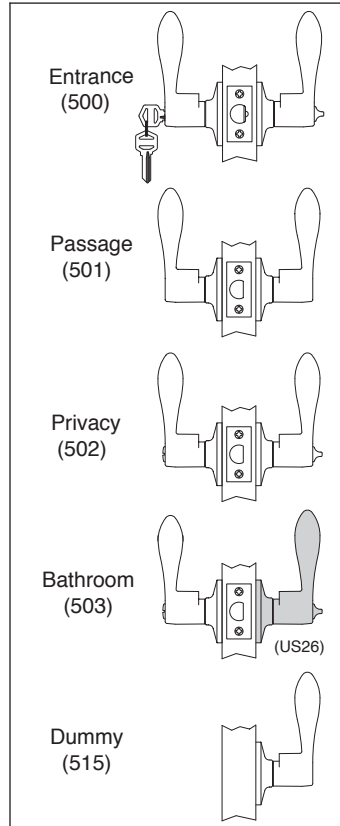
DESIGN

	Royal	Ritz	Manhattan	Escort
A	2-9/16"	2-9/16"	2-9/16"	2-9/16"
B	4-9/64"	3-11/16"	3-45/64"	3-45/64"
C	2-5/8"	2-11/32"	2-21/64"	2-21/64"



Reversible Lever
Suitable for both right or left handed door

FUNCTIONS



OPTIONS

DESCRIPTION	NOTE
Door Thickness	Available for 2" and 2-1/4" thick door.
Cylinder	SC1 5-pin.
Keying	Keying as requested.
Latch	Entrance: Square corner (9045), Drive-in. (9045C) Passage/Privacy: Square corner (9072), Drive-in. (9076)
UL Latch	Available.
Strikes	1-1/8" x 2-3/4" "T" Type. (9101) 1-3/4" x 2-1/4" Full Lip Square Corner Strike. (9102) 1-3/4" Full Round Strike. (9108) 1-1/4" x 2-3/4" "T" Type Adjustable. (9125)
Function	Privacy with inside free. ♿
Split Finishes	Available upon request.
Exterior	Exterior with knob is available.

AVAILABLE FINISHES

FINISH		RY	RZ	MH	ET
US3	Polished Brass	•	•	•	•
US5	Antique Brass	•	•	•	•
US15	Satin Nickel	•	•	•	•
US15A	Antique Nickel (Pewter)	•	•	•	•
US26	Polished Chrome	•	•	•	•
US10B	Oil Rubbed Bronze	•	•	•	•
US12P	Tuscany Bronze	•	•	•	•

*Other finishes maybe available upon request. Please call for more information.



ORDER INFORMATION



Philadelphia Hardware Group

BP 500TZ-RY/RZ-US15-KD-RH LATCH STRIKE

Packaging

BP Box Pack

Function

- 500TZ Entrance
- 501TZ Passage
- 502TZ Privacy
- 503TZ Bathroom
- (US26 for interior finish)
- 515TZ Dummy

Lever Style

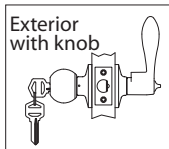
- RY Royal
- RZ Ritz
- MH Manhattan
- ET Escort

Exterior Style

Lever: See lever styles above

Knob:

- BA Bala
- OS Olympus
- RB Ruby
- GN Guardian



*Please check finish availability for exterior.

Finish

- US3 Polished Brass
- US5 Antique Brass
- US15 Satin Nickel
- US15A Antique Nickel (Pewter)
- US26 Polished Chrome
- US10B Oil Rubbed Bronze
- US12P Tuscany Bronze

*Finish not available for all lever styles. (see front)

Keying

- KA Key Alike
- KD Key Different
- MCK Master Construction Keyed
- MK Master Keyed
- GMK Grand Master Keyed

Handing (for dummy and exterior with knob only.)

- RH Right Handed
- LH Left Handed

*Levers are reversible or non-handed except for dummy function or exterior with knob.

Latch Code (see parts)

- 9045 SC Mortise Dead Latch
- 9045R RC Mortise Dead Latch
- 9072 SC Mortise Spring Latch
- 9074 RC Mortise Spring Latch
- 9045C Drive-in Dead Latch
- 9076 Drive-in Spring Latch

*All latches are adjustable for backset 2-3/8" and 2-3/4".

*Specify square corner (SC) or round corner (RC) when ordering.

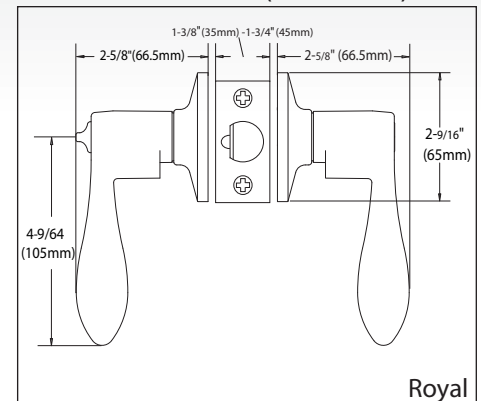
Exterior with Knob: (Entrance Function)

- 9071 SC Mortise Dead Latch
- 9073 RC Mortise Spring Latch
- 9075 Drive-in Dead Latch

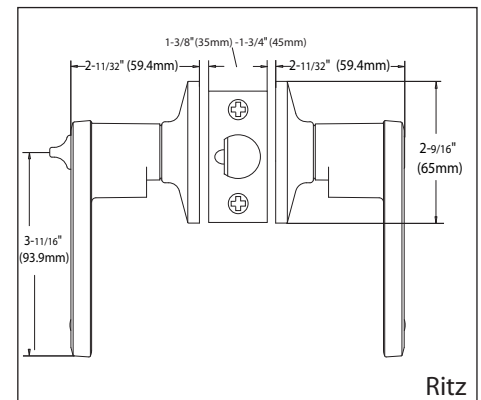
Strike Code (see parts)

- 9101 T-Strike
- 9102 SC Full Lip Strike
- 9103 RC Full Lip Strike
- 9108 Full Round Strike
- 9125 Adjustable T-Strike

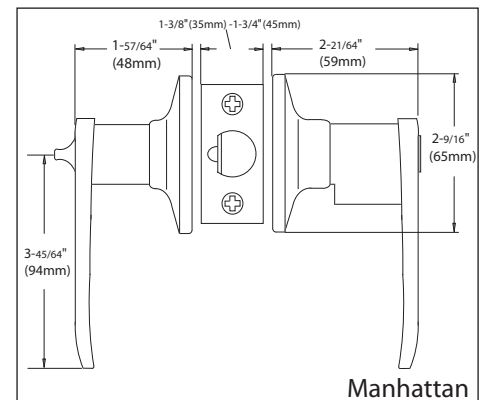
Dimensions (Entrance)



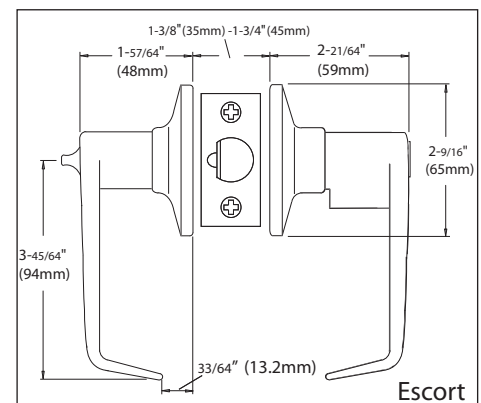
Royal



Ritz



Manhattan



Escort



by PHILADELPHIA HARDWARE GROUP

Copyright ©2008 Philadelphia Hardware Group, Inc. All rights reserved.

01/01/2008

Toll Free: 1-800-545-2309

www.philihardware.com