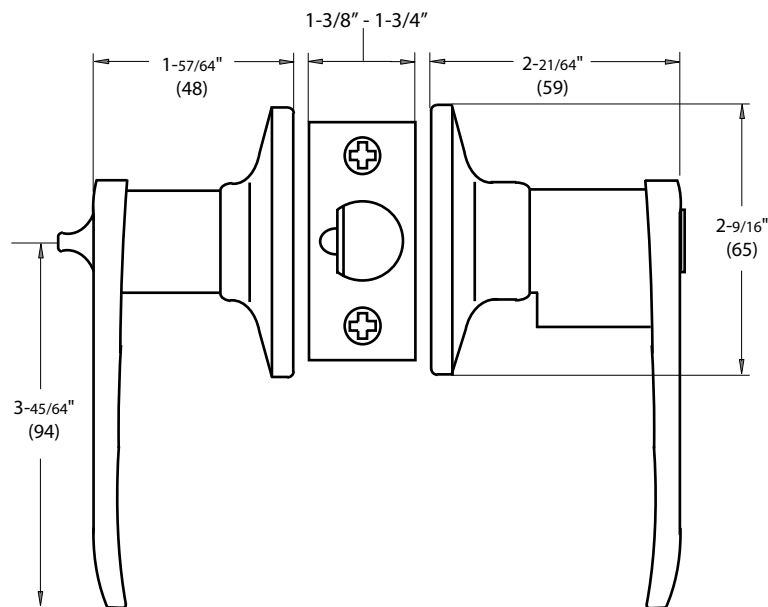


MANHATTAN LEVER LOCKSET



DIMENSIONS



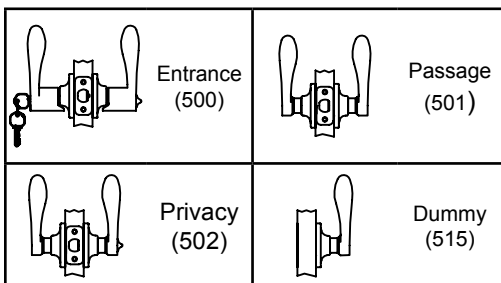
STANDARD SPECIFICATIONS

Door Prep	Cross bore: 2-1/8" Edge bore: 1" Latch face: 1" x 2-1/4"
Backset	Fits 2-3/8" and 2-3/4"
Door Thickness	1-3/8" ~ 1-3/4" door standard
Cylinder	KW1 5-pin standard (Solid Brass) SC1 5-Pin optional. Entries packed KA5
Latches	Entrance: 2-3/8" & 2-3/4" adjustable (9045R) Passage/Privacy: 2-3/8" & 2-3/4" adj. (9074) Faceplate: 1" x 2-1/4" round corner Bolt: 1/2" throw
Strikes	1-3/4" x 2-1/4" full lip round corner (9103)
Wood Screws	Combination screws that suit both wood or metal door mounting
Door Handing	Reversible

PRICING

Model	Function	WT/CTN	CTN QTY		US15	US3	US5	US26	US15A	US10B
500T - MH	Entrance	26 Lbs	20 Pcs	Item No.	220520	220523	220525	220526	220528	220529
				List Price						
501T - MH	Passage	23 Lbs	20 Pcs	Item No.	224520	224523	224525	224526	224528	224529
				List Price						
502T - MH	Privacy	24 Lbs	20 Pcs	Item No.	222520	222523	222525	222526	222528	222529
				List Price						
515 - MH	Dummy	15 Lbs	20 Pcs	Item No.	225520	225523	225525	225526	225528	225529
				List Price						

FUNCTIONS



THE DELANEY CO.

Copyright © THE DELANEY CO. All rights reserved.