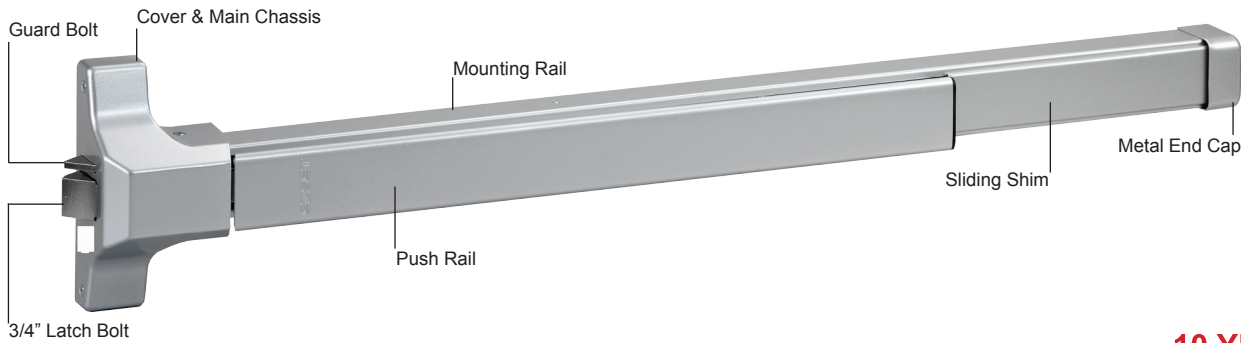
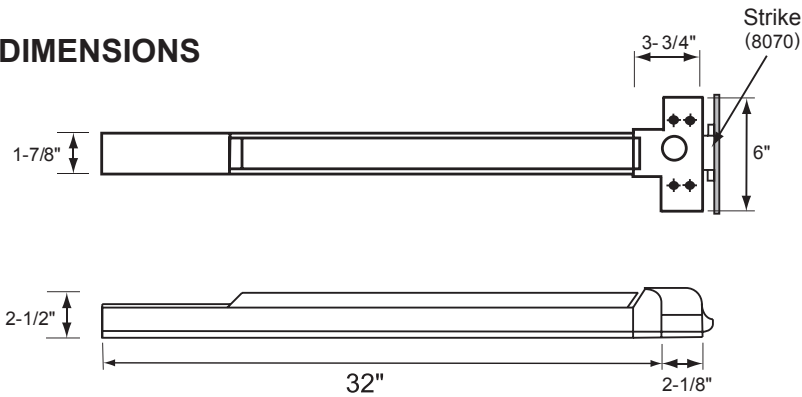


**F8000 SERIES (FIRE RATED)
GRADE 1 FIRE EXIT HARDWARE
RIM TYPE EXIT DEVICE**



DIMENSIONS



**10 YEAR
WARRANTY**

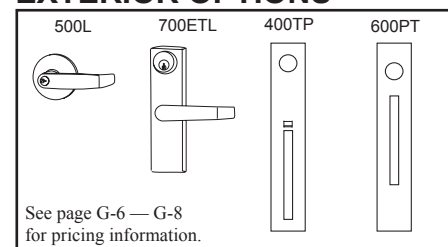
STANDARD SPECIFICATIONS

Applications	Offices, Schools, Hospitals, Apartments, Hotel/Motels & other Public Buildings	Mounting	Furnished standard with wood & machine screws. Sex nuts and bolts (1346) included.
Door Thickness	1-3/4" ~ 2" standard, 2-1/4" optional	Latchbolt	Stainless with 3/4" throw.
Door Size	33" to 36". Bar can be easily field cut to size.	Latchbolt Spring	Stainless Steel throughout.
Stile Width	4-1/2" minimum stile width required.	Guard Bolt	Stainless Steel
Chassis, End Cap & Rail Assembly	Fire Grade Steel: Painted Steel (Aluminum or Duro), Stainless Steel (US32D)	Strike	#8070 Steel Roller Strike — 2-3/4" or 2-3/8" Backset.
Cover	Zinc Alloy	UL & ULC Listed	3-Hour Fire Rating. Listed as Fire Exit Hardware. Conforms to standards UL 10C and UBS 7-2-1997 codes
Rating	ANSI 156.3 Grade 1	Handing	Non Handed
Door Prep	Will cover stock hollow metal doors with 161 cutout	Dogging	N/A

PRICING

Model	Description	WT/ CTN	QTY/ CTN	ALUMINUM	DURO	US32D	
F8000-36	Fire Rim Type Device for 36" Door	52 Lbs	6	Item No.	683300	683302	683301
				List Price			

EXTERIOR OPTIONS



THE DELANEY CO.

Copyright © THE DELANEY CO. All rights reserved.