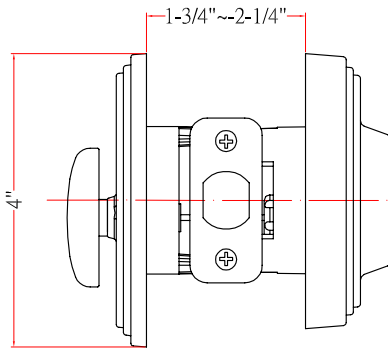


**DEADBOLTS
ITALIAN COLLECTION (GR2)**

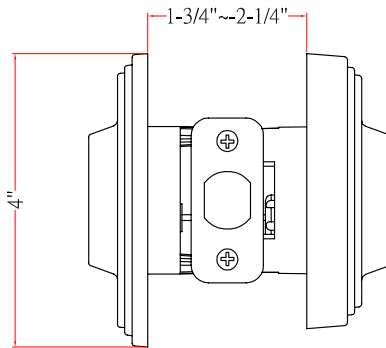


DELANEY
Designer Series™

DIMENSIONS



Single Cylinder (200)



Double Cylinder (210)



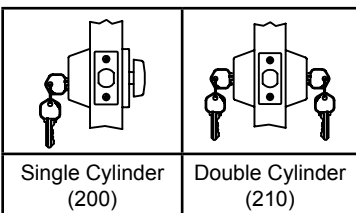
STANDARD SPECIFICATIONS

Door Prep	Cross bore: 2-1/8" Edge bore: 1" Latch face: 1" x 2-1/4"	Latches	Deadbolt: 2-3/8" & 2-3/4" adjustable (C9098 R/S) Faceplate: 1" x 2-1/4" Rd. & Sq. corner Bolt: 1" throw with hardened steel rod
Backset	Fits 2-3/8" and 2-3/4"	Strikes	2-1/4" full lip Rd. & Sq. corner (9118 R&S) Includes Reinforcement Strike.
Door Thickness	1-3/8" ~ 1-3/4" door standard	Wood Screws	Combination screws that suit both wood or metal door mounting Includes 3" Security Screws
Cylinder	SC1 5-pin standard; KW1 5-pin optional Deadbolts packed KA5	Grade 2 Features	<ul style="list-style-type: none"> Protective collar High Security Strike Plate Interlocking installation guides Reinforced spring assembly

PRICING

Model	Function	WT/ LB	CTN QTY		US15	US10BE	Black
200S-G2	Single Cylinder	21 Lbs	10 Pcs	Item No.	372001	372007	372004
				List Price			
210S-G2	Double Cylinder	25 Lbs	10 Pcs	Item No.	372101	372107	372104
				List Price			

FUNCTIONS



THE DELANEY CO.

Copyright © THE DELANEY CO. All rights reserved.