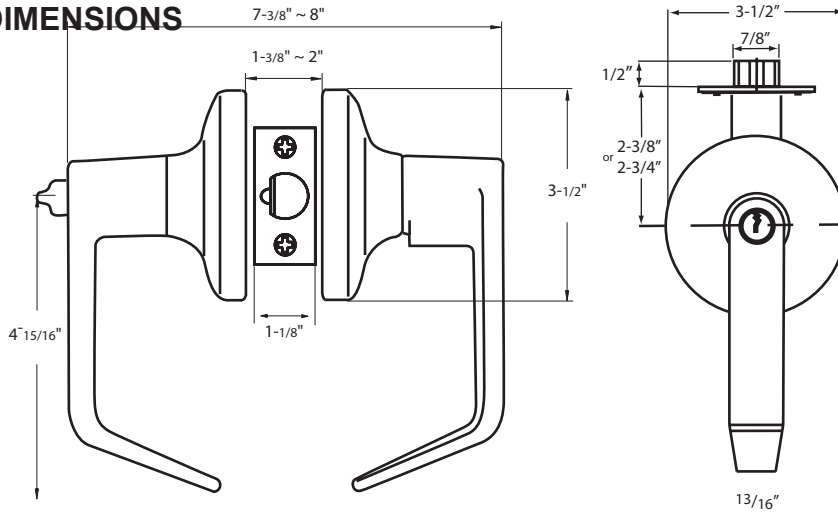


F SERIES - CHARLOTTE GRADE 1 CYLINDRICAL LEVER



DIMENSIONS



STANDARD SPECIFICATIONS



Door Prep	Cross bore: 2-1/8" Edge bore: 1" Latch face: 1-1/8" x 2-1/4"	Latches	Entrance: 2-3/4" (F9070T) standard. 2-3/8" (F9060T) optional Pass/Priv: 2-3/4" (F9073T) standard 2-3/8" (F9063T) optional Faceplate: 1-1/8" x 2-1/4" square corner Bolt: 1/2" Stainless Steel throw. Meets 3-Hr. Fire Rating
Backset	2-3/4" UL Latch standard, 2-3/8" optional	Strikes	4-7/8" ANSI Strike standard (9109)
Door Thickness	1-3/8" ~ 2". Adjustable mounting plate	Door Handing	Not Required
Cylinder	SC4 6-pin standard, KW1 5-pin optional Entries packed KA2	Interchangeable Core	Optional small-format 6-pin or 7-pin available
ANSI & Federal Standards	<ul style="list-style-type: none"> Meets & exceeds requirements of BHMA/ANSI A156.2 Series 4000, GR1, 800,000 Cycles. Meets FF-H-106C Federal Standard. 	Product Features	<ul style="list-style-type: none"> Independent Torsion Spring Removable Through Bolts Concealed Mounting Screws Anti-Friction Latch Retractor Clutch Function Panic Proof

PRICING

Model	Function	WT/LB	CTN QTY	FC Series		FK Series - IC Core (Core not included)		
				US26D	US10B	US26D	US10B	
500-F	Entrance	32 Lbs	6 Pcs	Item No.	3C6002	3C6000	3K6002	3K6000
				List Price				
504-F	Storeroom	32 Lbs	6 Pcs	Item No.	3C6042	3C6040	3K6042	3K6040
				List Price				
509-F	Classroom	32 Lbs	6 Pcs	Item No.	3C6092	3C6090	3K6092	3K6090
				List Price				
501-F	Passage	30 Lbs	6 Pcs	Item No.	3C6012	3C6010	—	—
				List Price				
502-F	Privacy	31 Lbs	6 Pcs	Item No.	3C6022	3C6020	—	—
				List Price				
515-F	Dummy	22 Lbs	12 Pcs	Item No.	3C6052	3C6050	—	—
				List Price				

Core not Included see page F-10.

FUNCTIONS

See Function Guide on Page F-14.



THE DELANEY CO.

Copyright © THE DELANEY CO. All rights reserved.