

Cristal HC - Slide Out Range Hood **FABER**

powerful, practical, efficient under cabinet range hood

ON AIR. SINCE 1955



Choose from a white, black, or brushed aluminum front strip (all are included in the box). For a totally integrated look, the front strip can also be replaced with a custom built strip to match your cabinets. See reverse for front panel dimensions.

For a streamlined look in the kitchen, the Cristal HC is your integrated range hood solution. The Cristal HC has a sleek pull-out visor which slides in, flush with your cabinets, neatly tucking the hood away. For total integration, the front strip can be replaced with material to match your cabinets, hiding the range hood completely.

Model #	Size Color	Performance Range	Sound Levels
CRIS30	30 BK,WH,AL	170 - 500 CFM	2.0 - 6.0 sones
CRIS36	36 BK,WH,AL	170 - 500 CFM	2.0 - 6.0 sones

white, black and brushed aluminum front trims come with every Cristal HC in the box

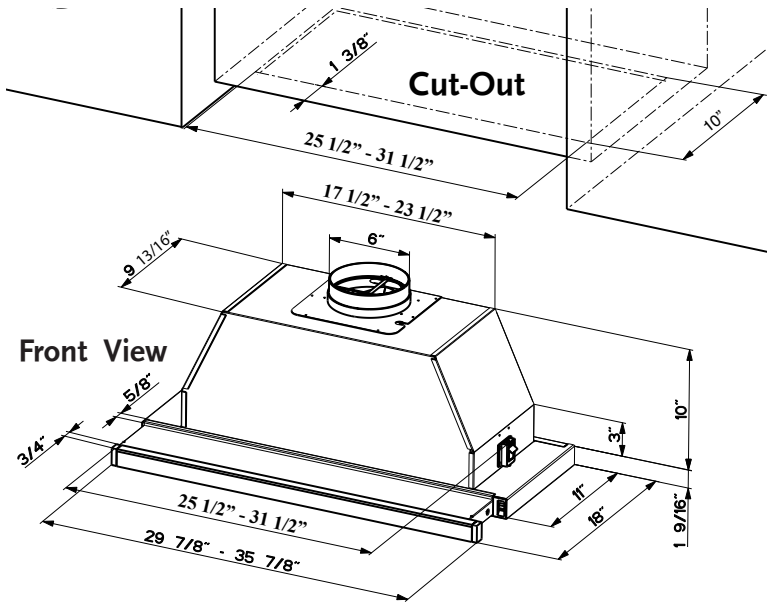


Feature Chart	
Cabinet Cut Out	25 1/8" or 31 1/8" (W) x 9 5/8" (D)
Convertible to Recirculating	Yes - charcoal kit needed, need air return back into the kitchen out of the cabinet
Controls	3 Speed Slider
Lighting	1 X 15 (W) Fluorescent
Ducting Top	6" Round
Ducting Direct Rear Vent	6" Round
Grease Filters	dishwasher safe mesh
Auto On / Off	Yes - fan / lights turn on when pulled out
Integrate front panel	Yes - Use your own custom wood front
Built In Mounting Hardware	Yes - EasySnap Mounting Clips
AC Input	120 V - 60 hz
AC Power	Max 315 W at 2.9 A
Green Energy Saver Mode	Yes
Annual Electricity Costs	\$2.47 / Year *

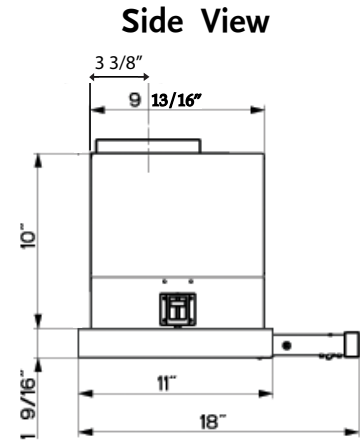
* Note – ran 30 minutes a day on low speed with the lights on, 365 days, using the North American average of 12.2 cents per kWh.
 p.o. box 435 • Wayland, MA 01778 • tel: (508) 358-5353 • fax: (508) 358-5730 • e-mail: info@faberonline.com • www.faberonline.com

Dimensional Diagrams

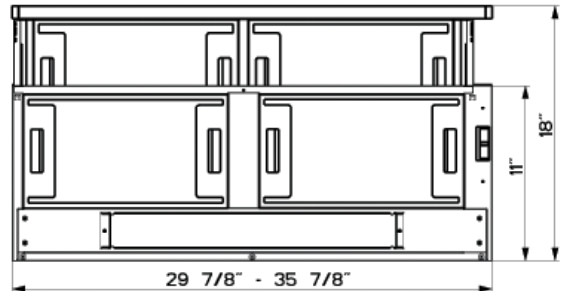
(see installation instructions for more information)



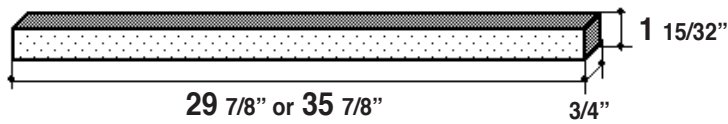
Note: The Cristal HC comes standard in the top vent position. The direct rear vent position can be achieved by rotating the blower housing.



Bottom View



Custom Front Panel Dimensions



ACCESSORIES

Charcoal Filters # FILTER1

For recirculating installations, high quality, heavy duty filters ensure the removal of smoke and odors from the kitchen. Some ductwork is required to exhaust the unit out of the cabinet.



CFM Reducer Kit # CFMRED

For use in make up air environments where an under 300 cfm hood is required. This kit reduces the ducting to 5" round and reduces the cfm to under 300



WARNING! Product specifications are subject to change without notification. Consult the installation instructions before you begin installing this range hood.