

Diamante Isola Island Hood

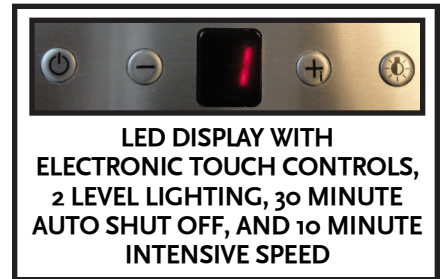
The brilliantly cut gem in kitchen range hoods



ON AIR. SINCE 1955



Island mounting to the ceiling & adjustments made easy



LED DISPLAY WITH ELECTRONIC TOUCH CONTROLS, 2 LEVEL LIGHTING, 30 MINUTE AUTO SHUT OFF, AND 10 MINUTE INTENSIVE SPEED

The Diamante Isola features a streamlined shape combined with traditional styling making the range hood a stunning alternative in canopy island ventilation. To add subtle sparkle, the corners of the canopy and the chimney are angled in a diamond-like cut. With advanced LED controls the Diamante Isola delivers.

| Model # | Size Color | Performance Range | Sound Levels |
|------------|-------------------|-------------------|-----------------|
| DIAMIS36SS | 36 x 27 Stainless | 160 - 600 CFM | 3.5 - 6.5 sones |



Feature Chart

| | |
|---|------------------------------------|
| Min. / Max. Ceiling Height | 7' 11 3/16" - 9' 3/16" |
| Canopy Depth / Height | 27 1/2" D / 33 3/16" H |
| High Ceiling Kit | Yes - up to 10' 9 3/16" |
| Convertible to Ductless / Recirculating | Yes - ductless kit needed |
| Controls | 3 speed LED digital control |
| Lighting | 4 X 20 (W) Halogen + Dimmer |
| Ducting Top | 6" Round |
| Grease Filters | dishwasher safe baffle filters |
| Quick Island Mounting | Yes |
| Pro Motor with Metal Impellers | Yes |
| 30 minute auto shut off | Yes |
| Silent Kit | Yes |
| 10 Minute Intensive Speed | Yes |
| AC Input / AC Power | 120 V - 60 hz / Max 410 W at 3.5 A |
| Annual Electricity Costs | \$7.05 / Year * |

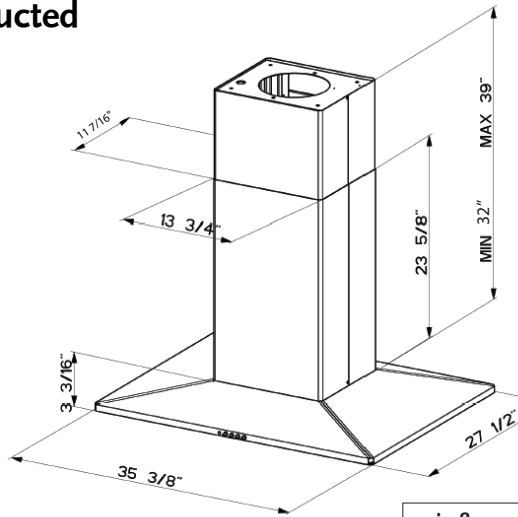
* Note – ran 30 minutes a day on low speed with the lights on, 365 days, using the North American average of 12.2 cents per kWh.

p.o. box 435 • Wayland, MA 01778 • tel: (508) 358-5353 • fax: (508) 358-5730 • e-mail: info@faberonline.com • www.faberonline.com

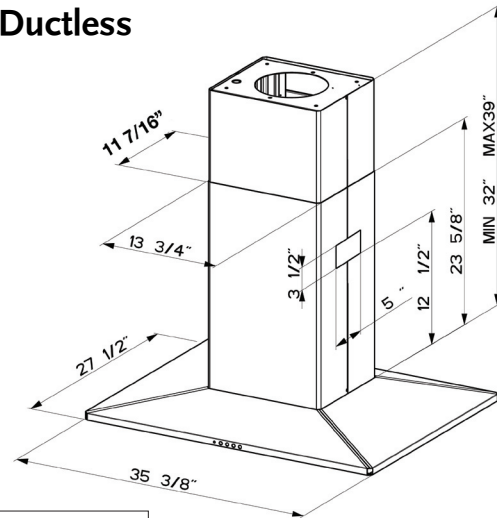
Dimensional Diagrams

(see installation instructions for more information)

Ducted



Ductless



min & max ceiling height examples

x = range hood height above cook top

ducted / ductless

x = 24" x = 30"

min min

7' 11 3/16" 8' 5 3/16"

max max

8' 6 3/16" 9' 3/16"

For higher ceiling installations, the High Ceiling Chimney Kit includes an additional support structure which adds 21" to the various ceiling heights in the figures above.

ACCESSORIES

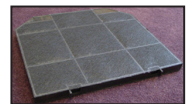
High Ceiling Chimney Kit # HIGHDIAMIS

Extends the island chimney for high ceilings



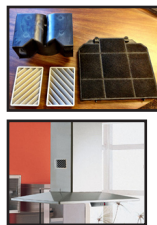
Replacement Charcoal Filter # FILTER2

For ductless installations, high quality, heavy duty filters ensure the removal of smoke and odors from the kitchen.



Ductless Conversion Kit # DUCTDIAMIS

Includes: • Lower Chimney with holes for ducting • Ductless Diverter Assembly • Vent Grates • Charcoal Filter



CFM Reducer Kit # CFMRED

For use in make up environments where an under 300 cfm hood is required. This kit reduces the ducting to 5" round and reduces the cfm to under 300

