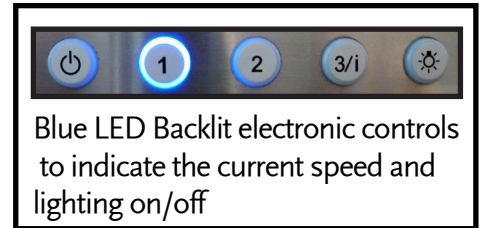


# Inca HC SS Insert Hood

versatile built in vent hood



ON AIR. SINCE 1955



Blue LED Backlit electronic controls to indicate the current speed and lighting on/off

The Inca HC SS built in insert range hood is perfect for the homeowner who needs powerful ventilation, but does not want to see a range hood at all. This exceptionally finished power pack installs effortlessly into your custom cabinet or hood (30" wide and up)

Model #	Size   Color	Performance Range	Sound Levels
INHC29SS	29 Stainless	160 - 600 CFM	3.5 - 6.5 sones



## Feature Chart

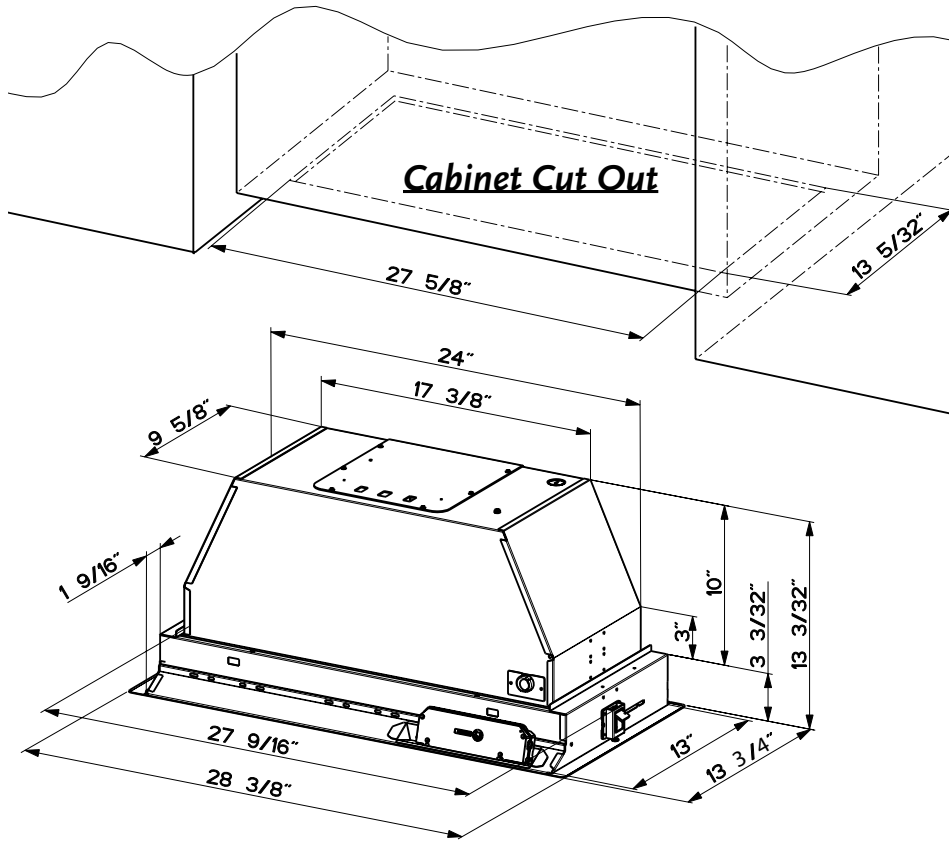
Min. / Max. Ceiling Height	N / A
Cabinet Cut Out	27 5/8" W / 13 5/32"D
Convertible to Recirculating	Yes - charcoal filter needed, need air return back into kitchen out of the cabinet
Controls	3 Speed Electronic Push w/ Blue LED
Lighting	2 X 20 (W) Halogen
Ducting Top	6" Round
Ducting Direct Rear	Yes - 6" Round
Grease Filters	dishwasher safe SS mesh
Built In Mounting Hardware	Yes - Easy Snap Mounting Clips
10 Minute Intensive Speed	Yes
AC Input	120 V - 60 hz
AC Power	Max 370 W at 3.1 A
<b>Annual Electricity Costs</b>	<b>\$6.17 / Year *</b>

\* Note – ran 30 minutes a day on low speed, 365 days, using the North American average of 12.2 cents per kWh.

p.o. box 435 • Wayland, MA 01778 • tel: (508) 358-5353 • fax: (508) 358-5730 • e-mail: info@faberonline.com • www.faberonline.com



## Dimensional Diagrams

(see installation instructions for more information)



**Front View**

### ACCESSORIES

<p><b>Stainless Liners</b></p> <p>Create a perfectly-sealed, non-combustible 4" tall perimeter to "line" the wood below the Inca HC. Depth adjustable from 16" - 17 7/8".</p>	<table border="0"> <thead> <tr> <th style="text-align: center;">Size</th> <th style="text-align: center;">Model #</th> </tr> </thead> <tbody> <tr> <td style="text-align: center;">30" SS Liner</td> <td style="text-align: center;"># LINE30ST</td> </tr> <tr> <td style="text-align: center;">30" SS Liner</td> <td style="text-align: center;"># LINE36ST</td> </tr> </tbody> </table>	Size	Model #	30" SS Liner	# LINE30ST	30" SS Liner	# LINE36ST	
Size	Model #							
30" SS Liner	# LINE30ST							
30" SS Liner	# LINE36ST							
<p><b>Charcoal Filters</b></p> <p>For recirculating installations, high quality, heavy duty filters ensure the removal of smoke and odors from the kitchen. Some ductwork is required to exhaust the unit out of the cabinet.</p>	<p style="text-align: center;"># FILTER1</p> 							
<p><b>CFM Reducer Kit</b></p> <p>For use in make up air environments where an under 300 cfm hood is required. This kit reduces the ducting to 5" round and reduces the cfm to under 300</p>	<p style="text-align: center;"># CFMRED</p> 