

# Scirocco Down Draft Range Hood

**FABER**

ON AIR. SINCE 1955

Disappearing down draft kitchen range hood



Downdraft retracts into counter when not in use

The Scirocco down draft is perfect for island installations, where an overhead canopy would be obstructive, or wall installations where cabinet space is at a premium. With the touch of a button the Scirocco rises a full 8 1/4" above the counter and retracts back down again when finished cooking with the press of a button.

Model #	Size   Color	Performance Range	Sound Levels
SCIR3008SSIB	30 SS Internal	250 - 500 CFM	3.5 - 6.5 sones
SCIR3608SSIB	36 SS Internal	250 - 500 CFM	3.5 - 6.5 sones
SCIR3008SSRB	30 SS Remote		
SCIR3608SSRB	36 SS Remote		
RBORIG900	900 cfm Remote Blower	450 - 900 CFM	



**NOTE: "IB" models include a 500 cfm blower in the box, "RB" models require a separately purchased 900 cfm remote blower**

## Feature Chart

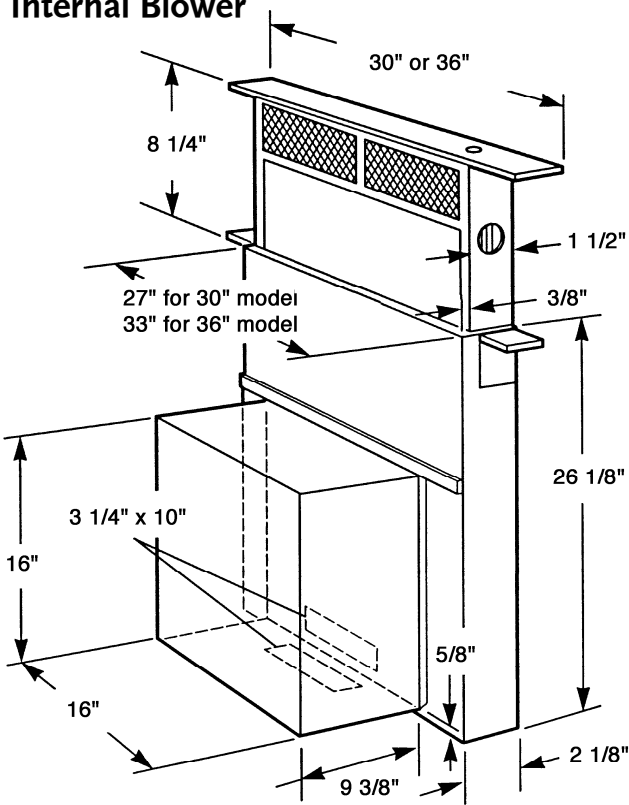
Convertible to Ductless / Recirculating	N / A
Controls	rotary speed control dial with on/off button
Lighting	N / A
Ducting	3 1/4" x 10" Rectagle ( <b>internal blower</b> ) OR 10" Round ( <b>remote blower</b> )
Multiple Ducting Options	left, right, down, backwards ( <b>internal blower</b> ) or forward ( <b>remote blower</b> )
Grease Filters	dishwasher safe stainless mesh
No brand logo on stainless top strip	Yes
Innovative Safety features	Yes (microswitch behind grease filters prevent lowering when washing filters) AND (top strip "pops off" if an object obstructs its path)
Auto shut off	Yes
AC Input / AC Power	120 V - 60 hz / Max 330 W at 2.8 A
<b>Annual Electricity Costs</b>	<b>\$5.28 / Year *</b>

\* Note – ran 30 minutes a day on low speed with the lights on, 365 days, using the North American average of 12.2 cents per kWh.  
 p.o. box 435 • Wayland, MA 01778 • tel: (508) 358-5353 • fax: (508) 358-5730 • e-mail: info@faberonline.com • www.faberonline.com

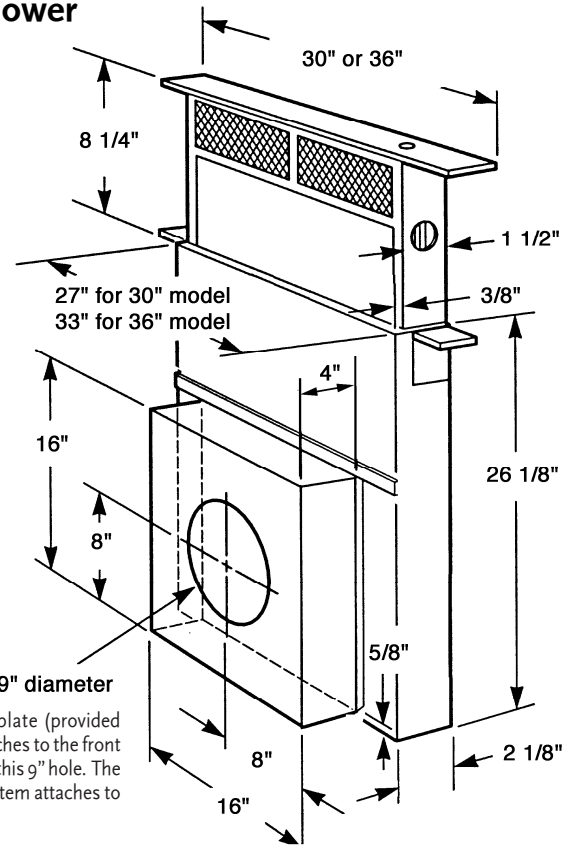
## Dimensional Diagrams

(see installation instructions for more information)

### Internal Blower

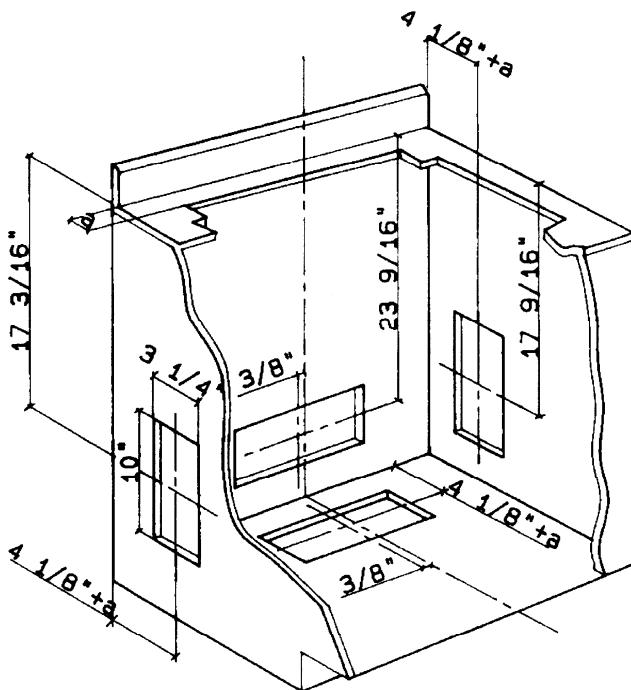


### Remote Blower

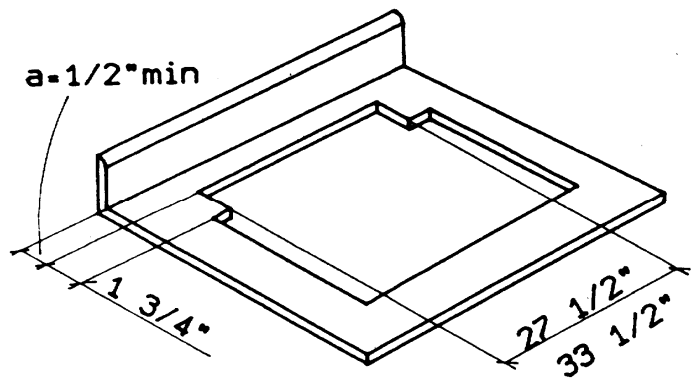


A black plastic duct collar plate (provided with the remote blower) attaches to the front of the downdraft plenum over this 9" hole. The 10" (25.4 cm) round duct system attaches to this duct collar plate.

### Ductwork Cutout Dimensions For Internal Blower Model Only!



### Countertop Cutout Dimensions For Both Internal and Remote Models



**WARNING!** You must know the cook top cutout to determine the downdraft cutout. Consult the cook top manufacturer's installation instructions before cutting the counter top.

