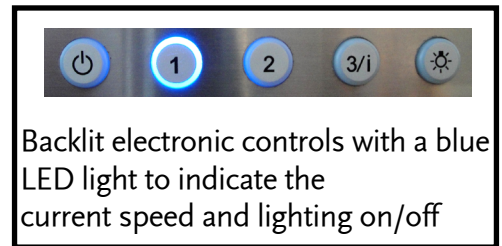


# Tender Wall Range Hood

A value alternative in canopy wall range hoods

**FABER**

ON AIR. SINCE 1955



Backlit electronic controls with a blue LED light to indicate the current speed and lighting on/off

Designed to offer a high-end look without the high-end price tag, the Tender offers a chimney style range hood for the price conscious customer. Rounded, elegant styling, designer features, and solid performance make the Tender a great value in canopy range hoods.

Model #	Size   Color	Performance Range	Sound Levels
TEND30SS	30 Stainless	160 - 600 CFM	3.5 - 6.5 sones
TEND36SS	36 Stainless	160 - 600 CFM	3.5 - 6.5 sones
TEND30SS300	30 Stainless	80 - 300 CFM	2.0 - 5.0 sones
TEND36SS300	36 Stainless	80 - 300 CFM	2.0 - 5.0 sones



## Feature Chart

Min. / Max. Ceiling Height	7' 9 1/8" - 9' 11 1/8"
Canopy Depth / Height	19 3/4" D / 9 7/16"H
High Ceiling Kit	Yes - up to 11' 4 1/2"
Convertible to Recirculating	Yes - kit needed
Controls	3 Speed Push w/ Blue LED
Lighting	2 X 20 (W) Halogen
Ducting Top	6" Round
Grease Filters	dishwasher safe mesh
10 Minute Intensive Speed	Yes
AC Input / AC Power (600/300 cfm)	(120 V - 60 hz) / (Max 370 / 190 W at 3.1 / 1.6 A)
<b>Annual Electricity Costs (600/300 cfm)</b>	<b>\$6.17 / \$3.29 Year *</b>

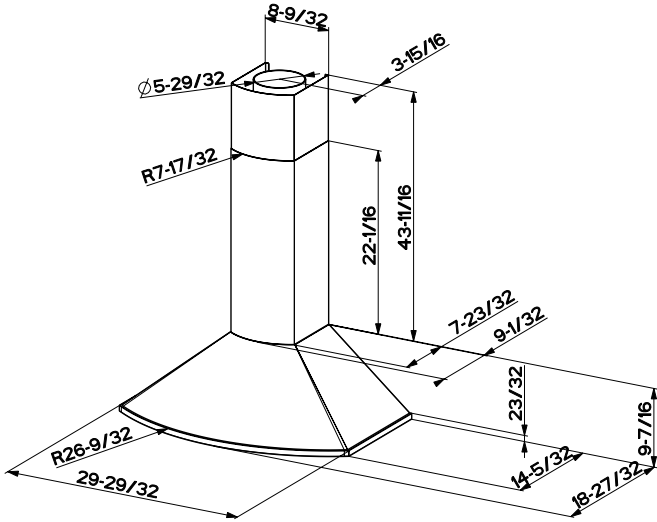
\* Note – ran 30 minutes a day on low speed, 365 days, using the North American average of 12.2 cents per kWh.

p.o. box 435 • Wayland, MA 01778 • tel: (508) 358-3353 • fax: (508) 358-5730 • e-mail: info@faberonline.com • www.faberonline.com

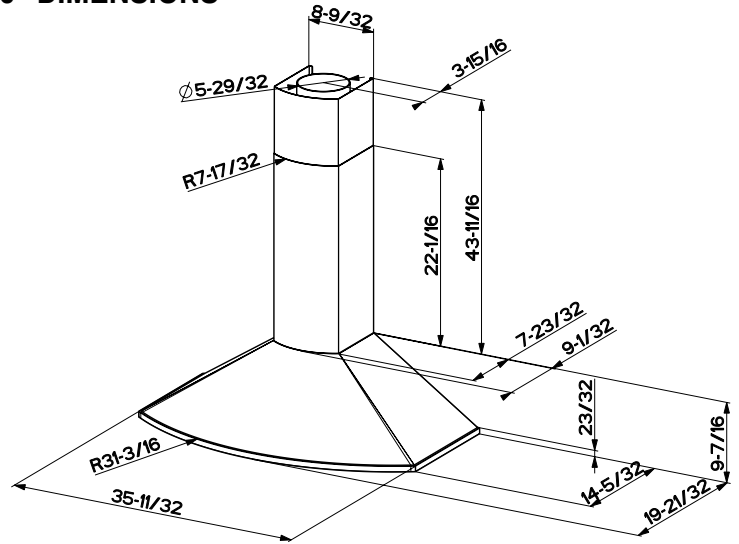
## Dimensional Diagrams

(see installation instructions for more information)

### 30" DIMENSIONS



### 36" DIMENSIONS



**min & max ceiling height examples**  
x = range hood height above cook top

<u>x = 24"</u>	<u>x = 30"</u>
<b>min</b>	<b>min</b>
7' 9 1/8"	8' 3 1/8"
<b>max</b>	<b>max</b>
9' 5 1/8"	9' 11 1/8"

For shorter ceilings, have the chimney cover(s) cut at a sheet metal shop. For higher ceiling installations, the High Ceiling Chimney Kit includes a new 39" upper chimney which would replace the 21 5/8" upper chimney that came with the hood.

## ACCESSORIES

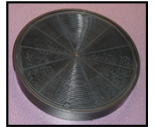
### High Ceiling Chimney Kit # HIGHTNDR

One 39" upper chimney to replace 16 3/8" upper chimney that came with the hood.



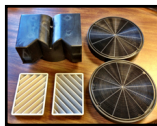
### Replacement Charcoal Filter # FILTER1

For ductless installations, high quality, heavy duty filters ensure the removal of smoke and odors from the kitchen.



### Ductless Conversion Kit # DUCTTNR

Includes: • Lower Chimney with holes for ducting • Ductless Diverter • Vent Grates • Two Charcoal Filters



**WARNING!** Product specifications are subject to change without notification. Consult the installation instructions before you begin installing this rangehood.