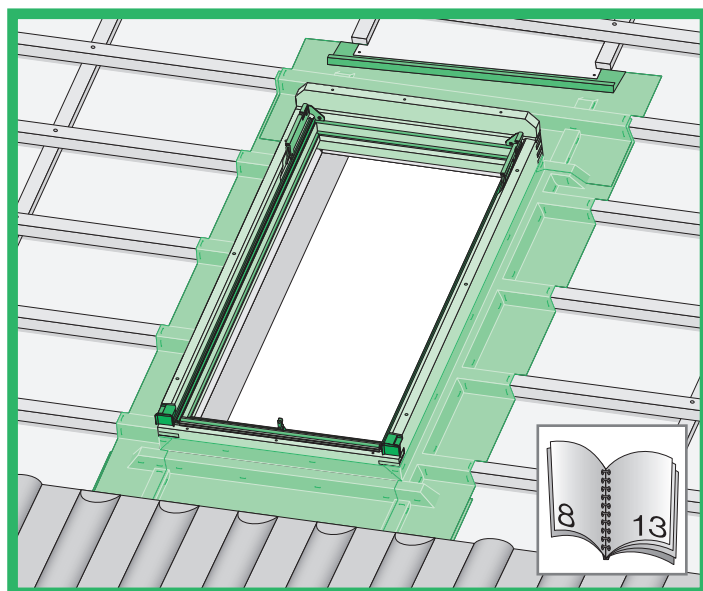
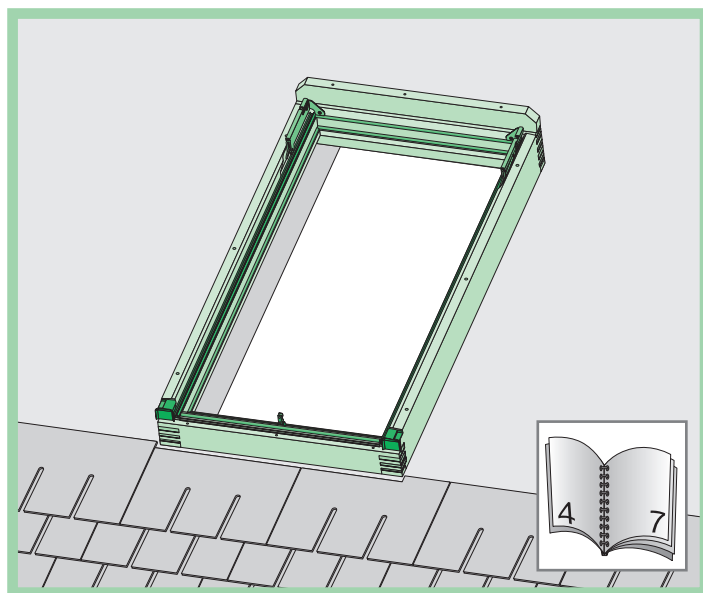


FV



NC 141

PLANNING THE CONSTRUCTION OF A LIGHT SHAFT FOR YOUR FAKRO SKYLIGHT

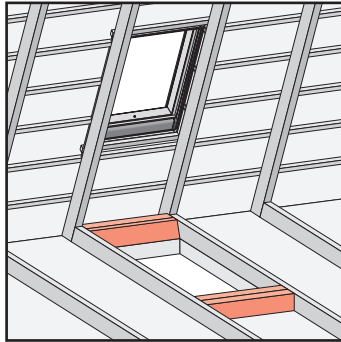
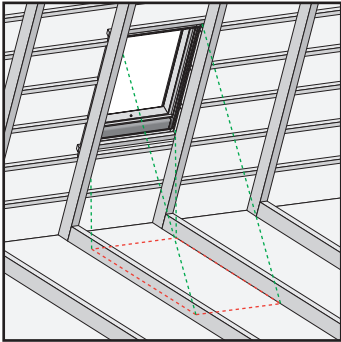
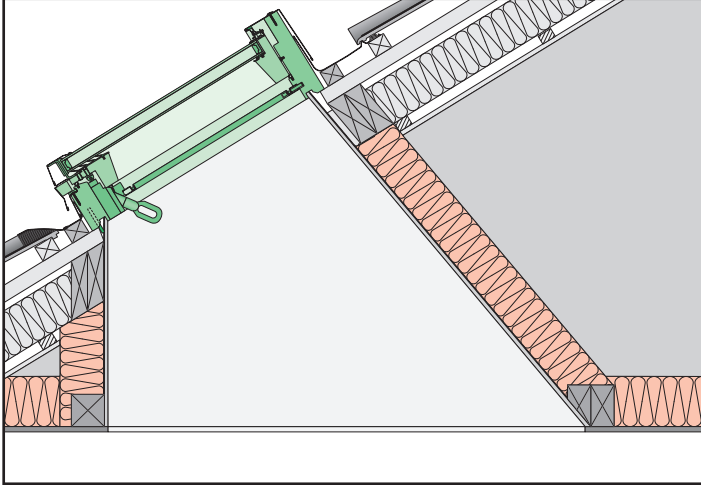
Building a light shaft is an integral part of finishing your FAKRO skylight installation, in the case of homes with flat ceilings. It will bring the light through your skylight into the room below, and its construction will govern the distribution of the light within the room.

Making a light shaft involves opening up the ceiling below the skylight and creating a larger hole within the ceiling, which is then framed, sheeted, insulated, finish sealed and painted to suit the interior decoration of the home.

The purpose behind making the opening in the ceiling larger than the skylight itself is to create both the visually pleasing effect of a larger room and distribute the incoming light more widely within the room.

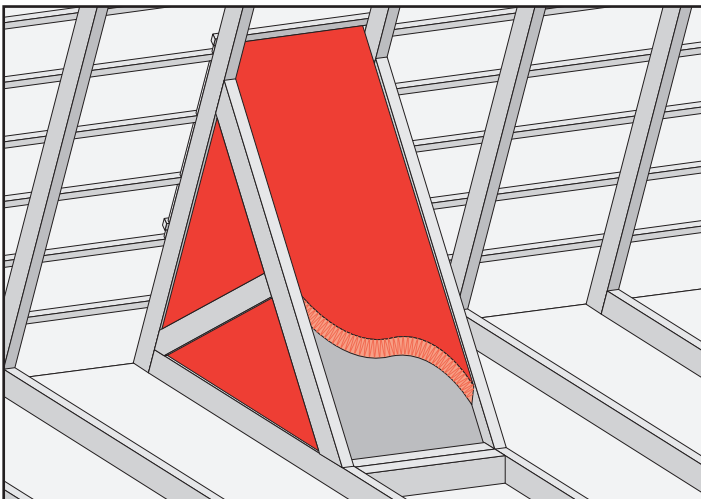
Light shafts can also be used to direct light to work spaces such as kitchen benches or mirrored areas in bathrooms with excellent results.

Finishing the light shaft in pale shades or ceiling white paints will improve the light transmission from your skylight into the room.

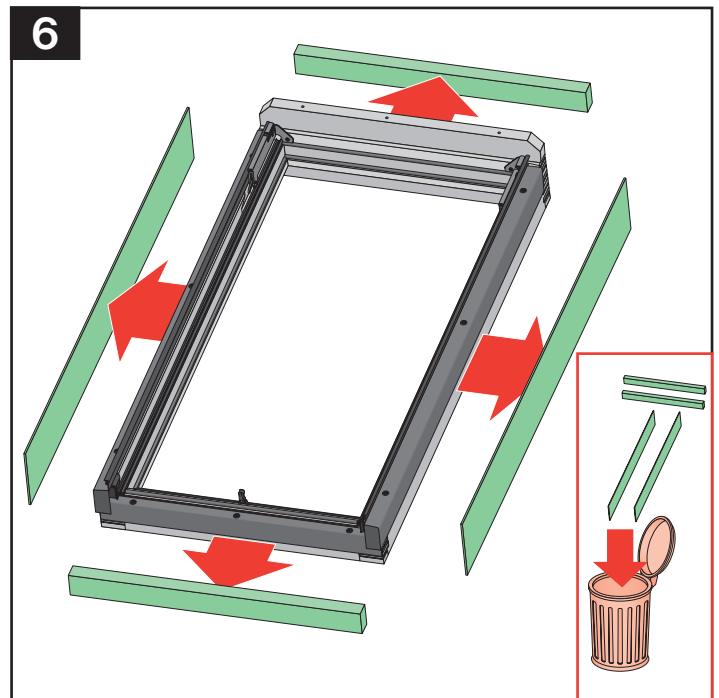
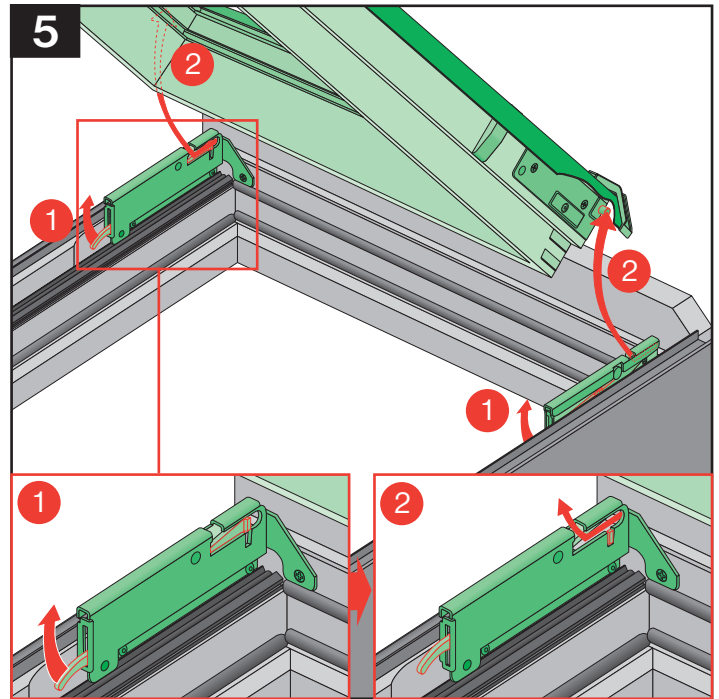
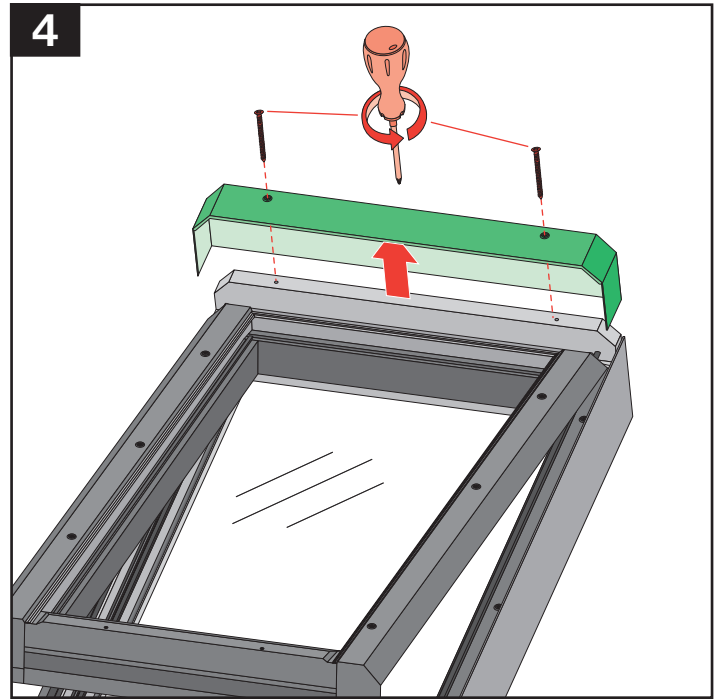


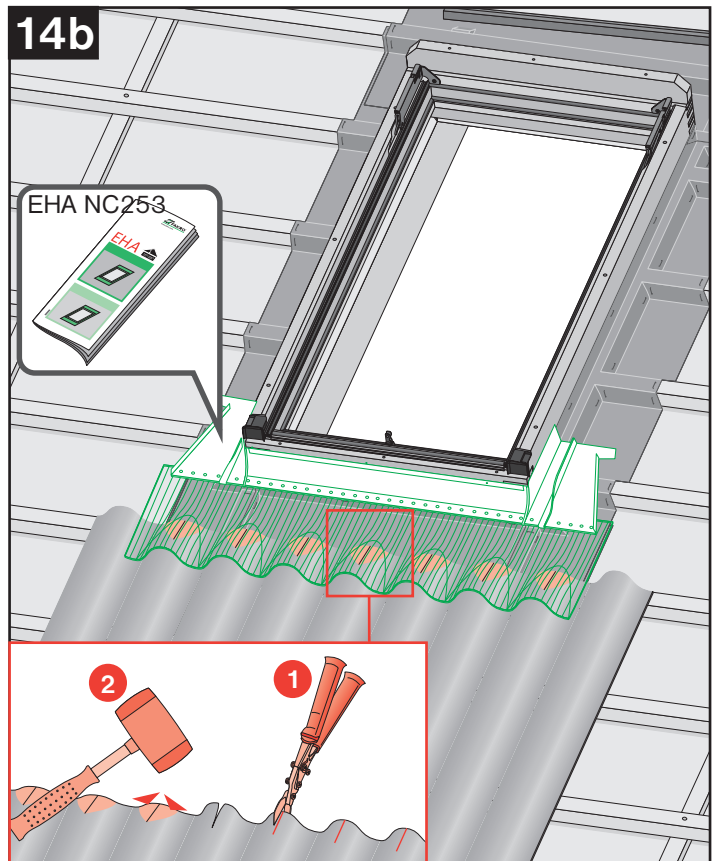
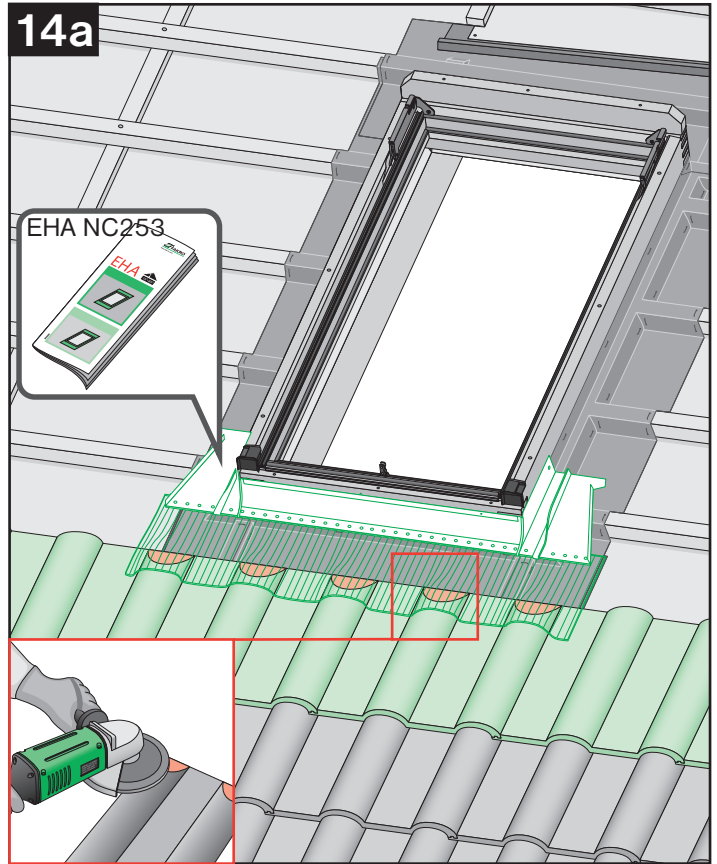
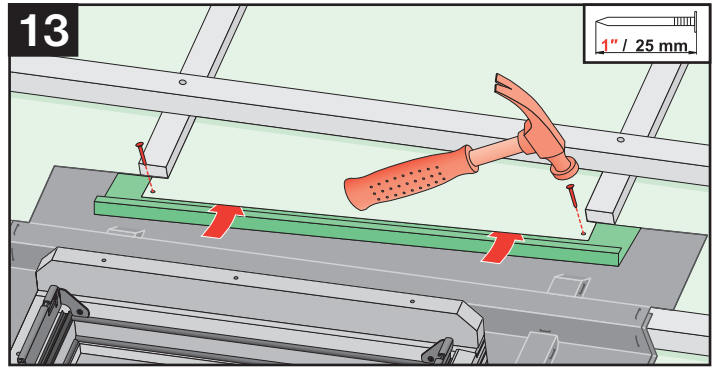
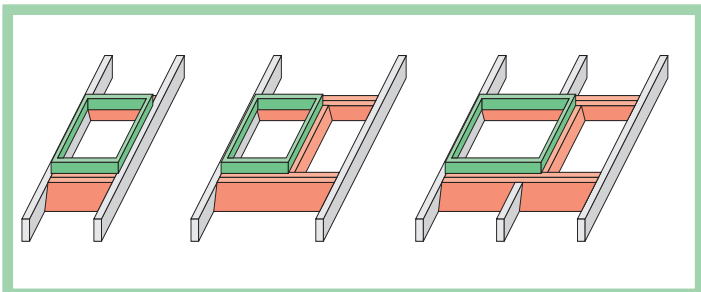
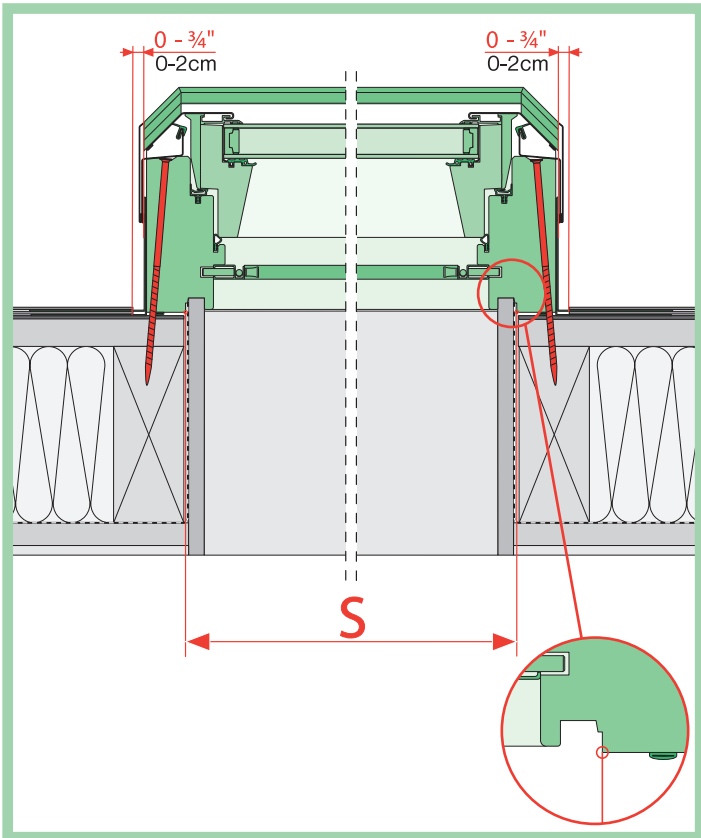
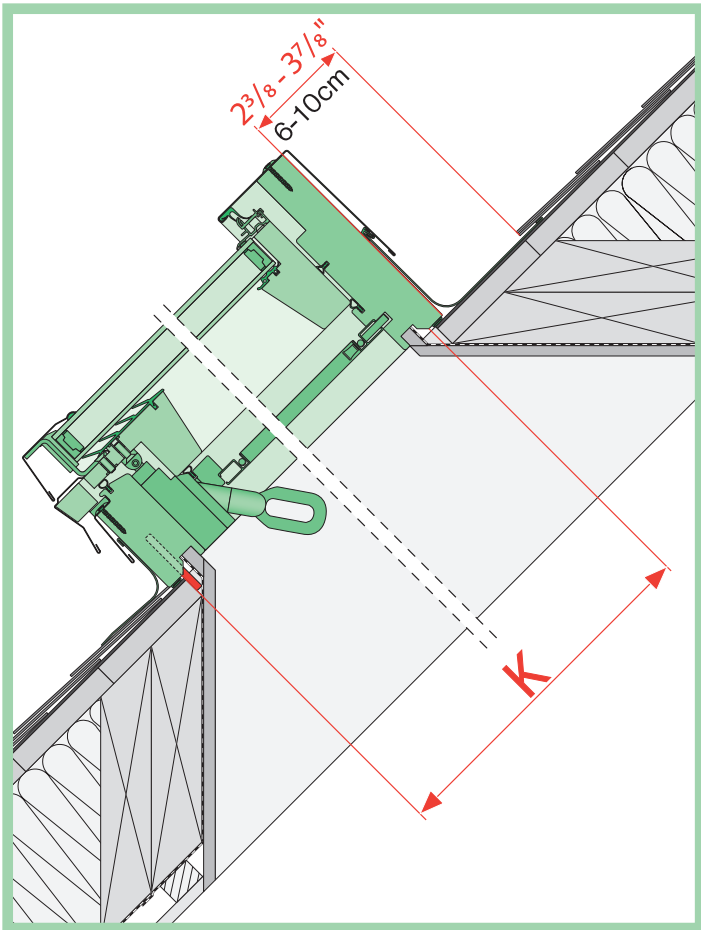
Decide the location and size of the light shaft relative to the skylight and the room.

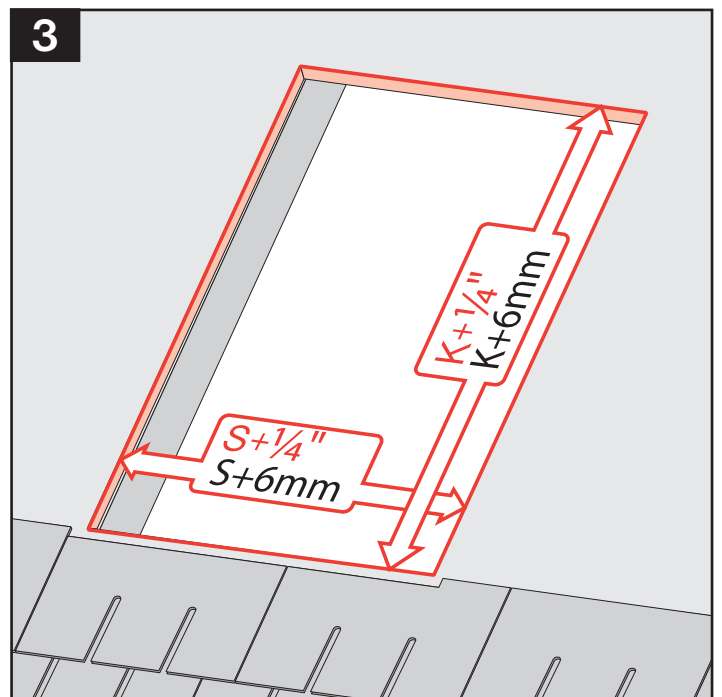
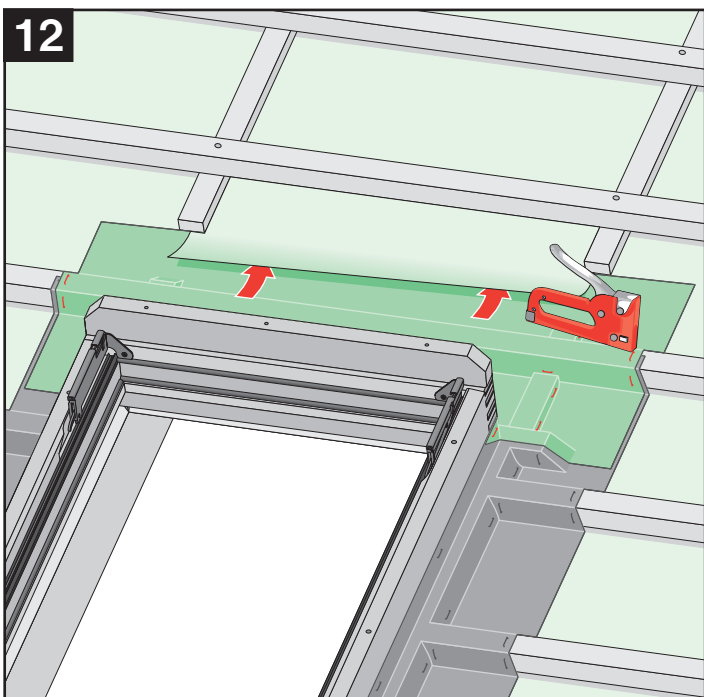
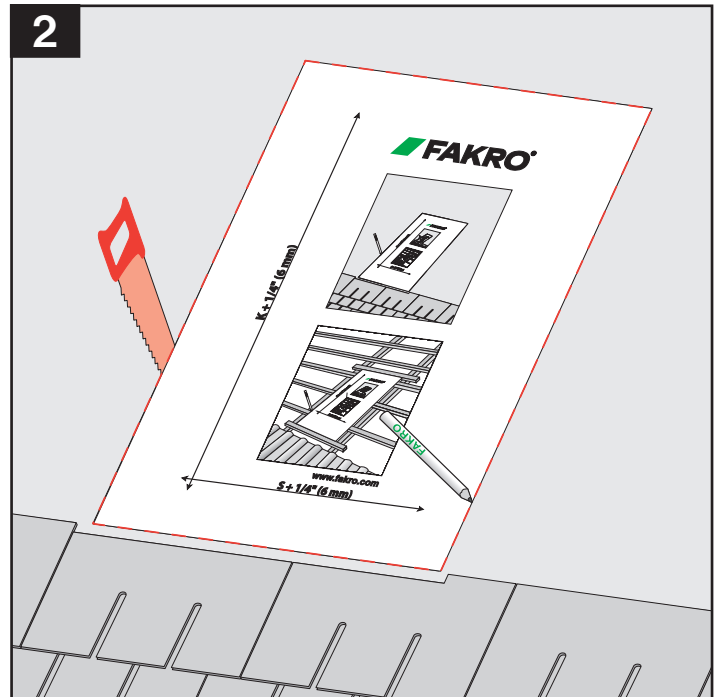
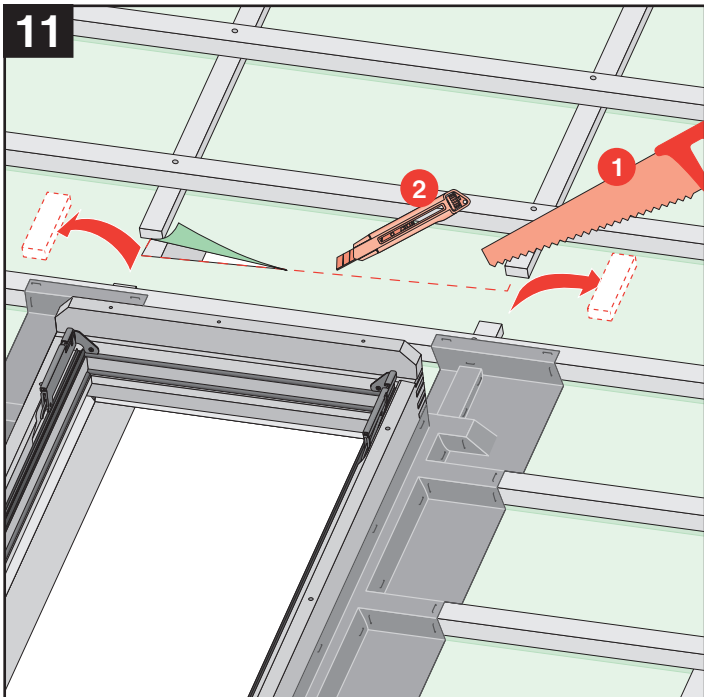
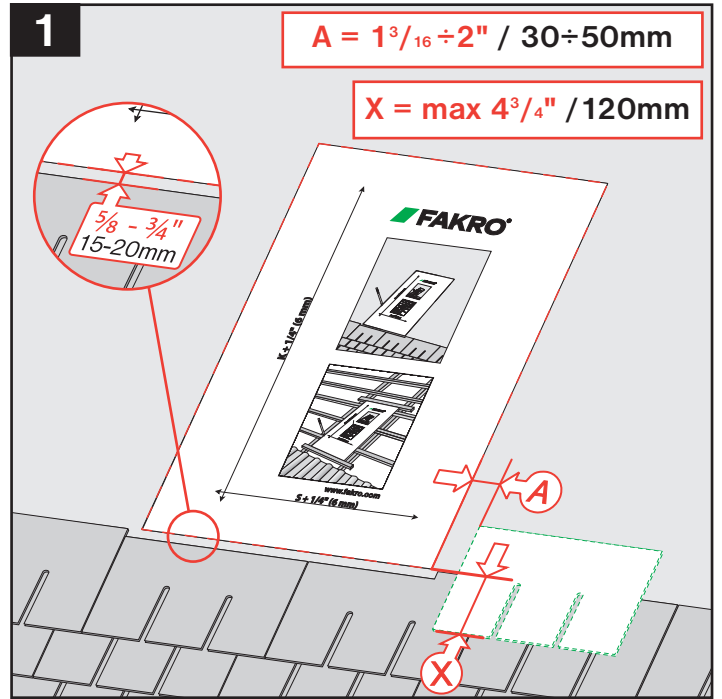
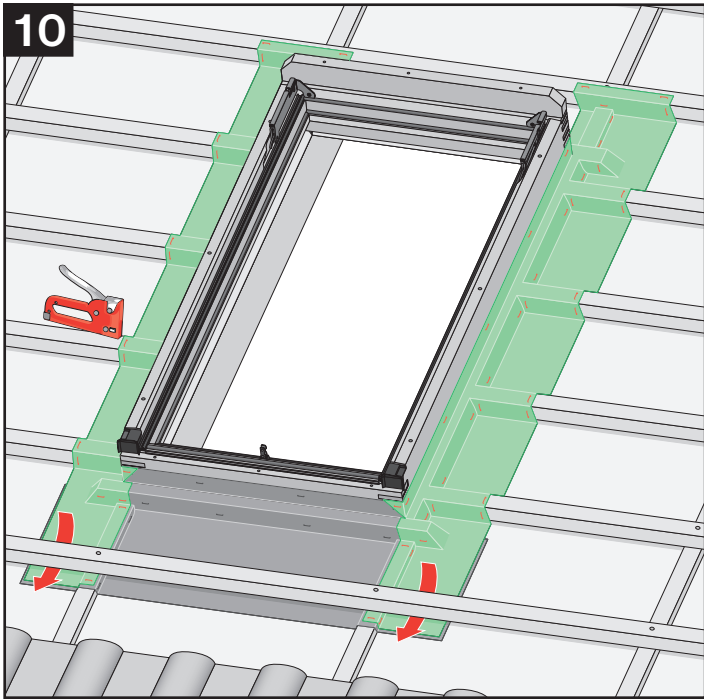
Prepare the hole in the ceiling using trimmer timbers in the same way trimmers are used in roof and wall construction.

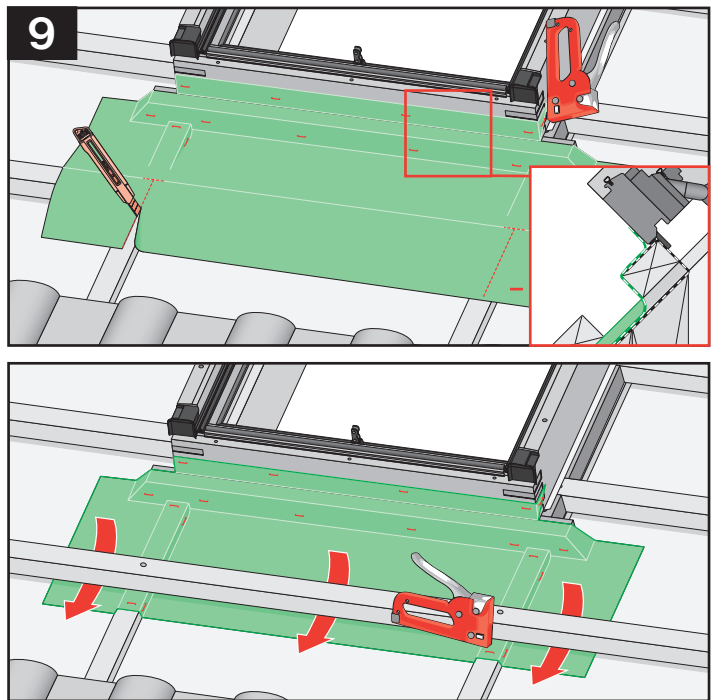
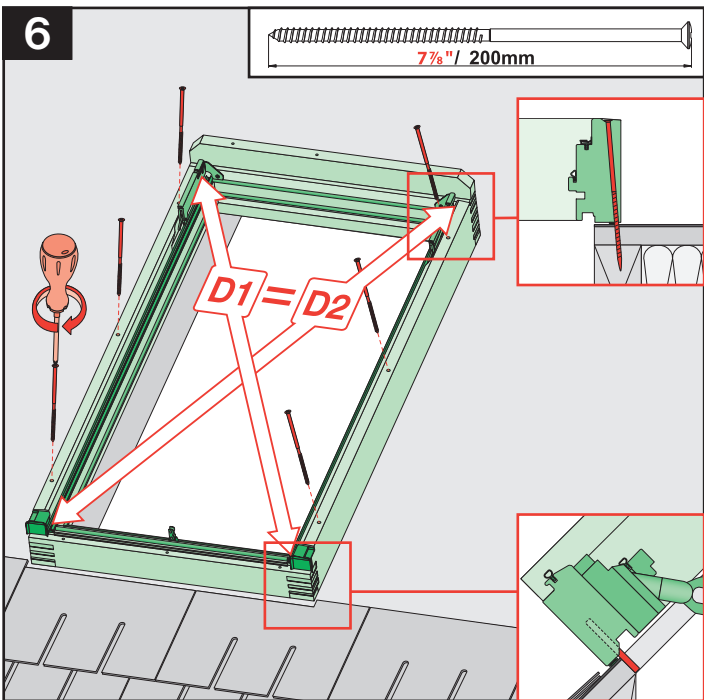
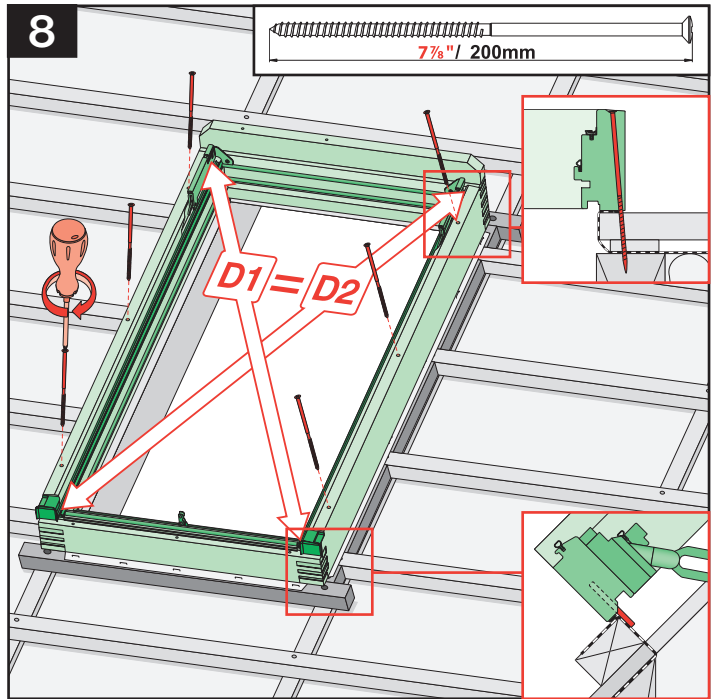
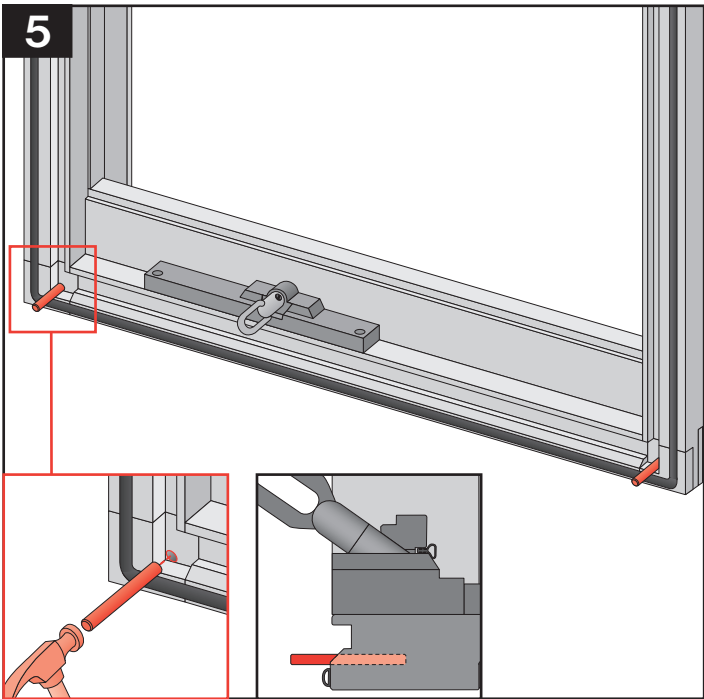
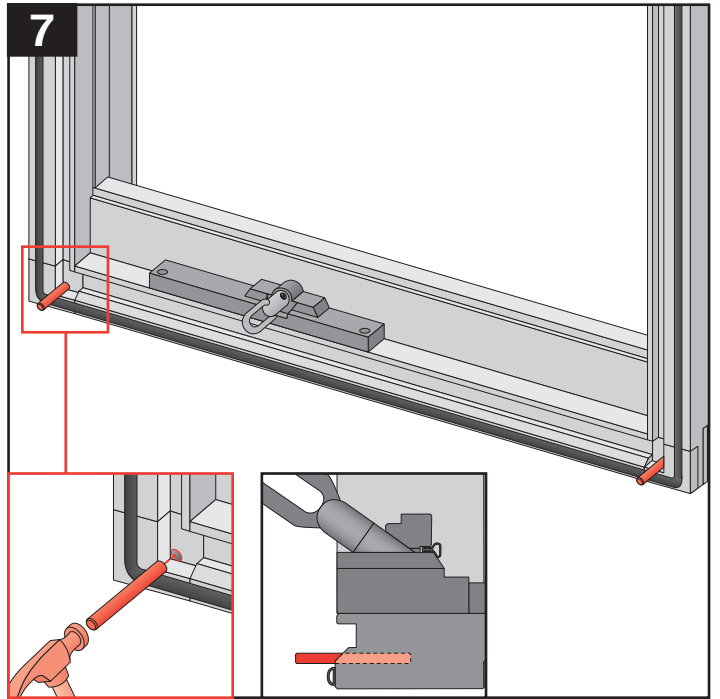
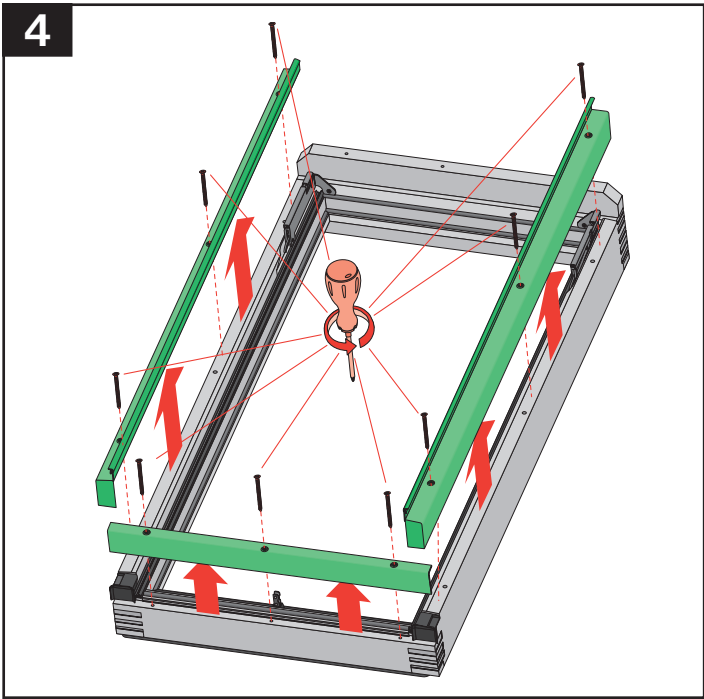


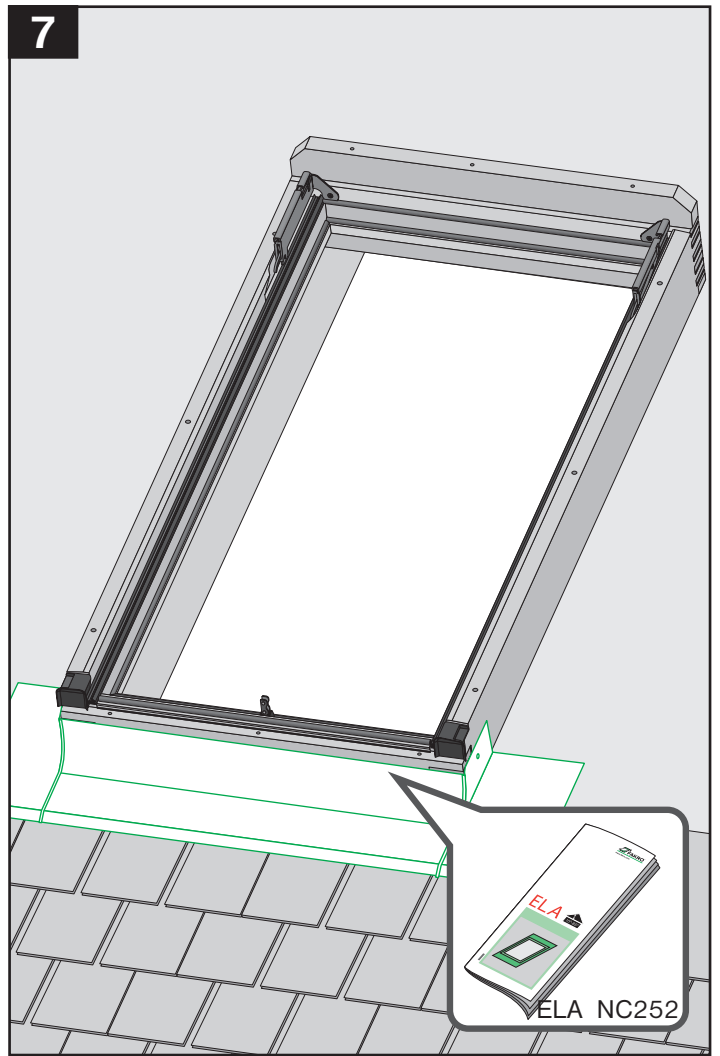
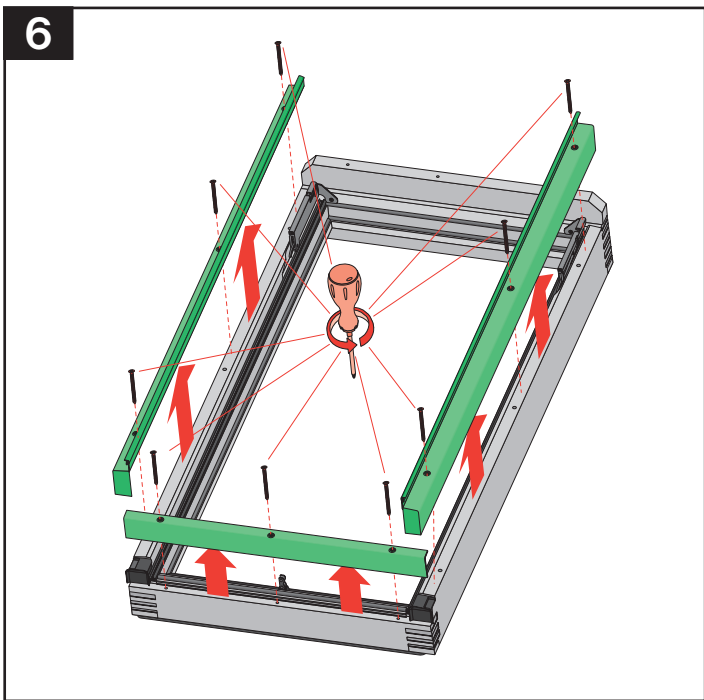
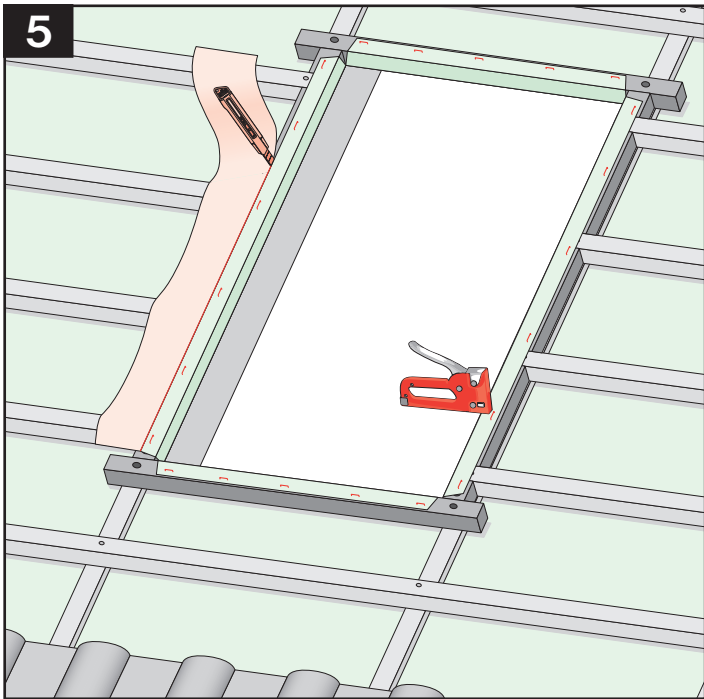
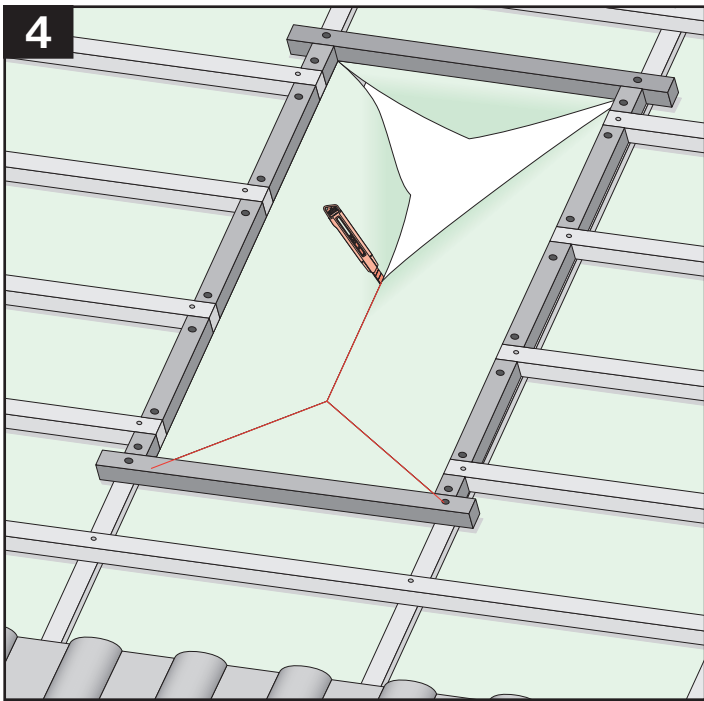
Frame out the shaft, line with plasterboard, and ensure that the shaft is clad with roofing insulation in the roof cavity. This will reduce heat transmission from the roof cavity into the home in summer, and help reduce heat loss from the home in winter.

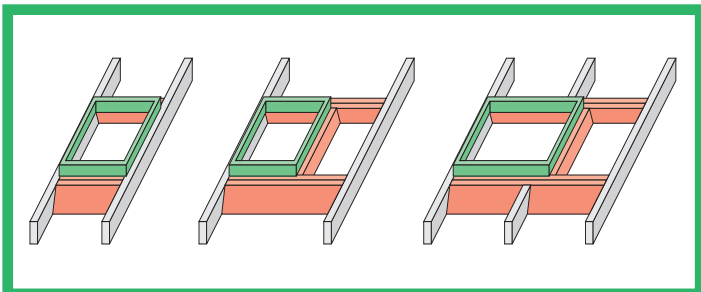
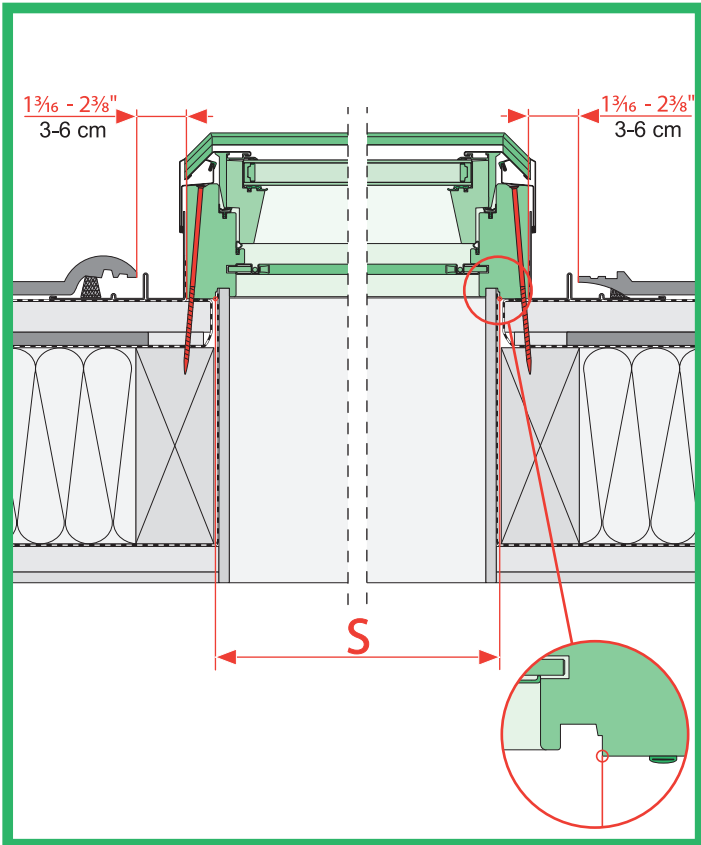
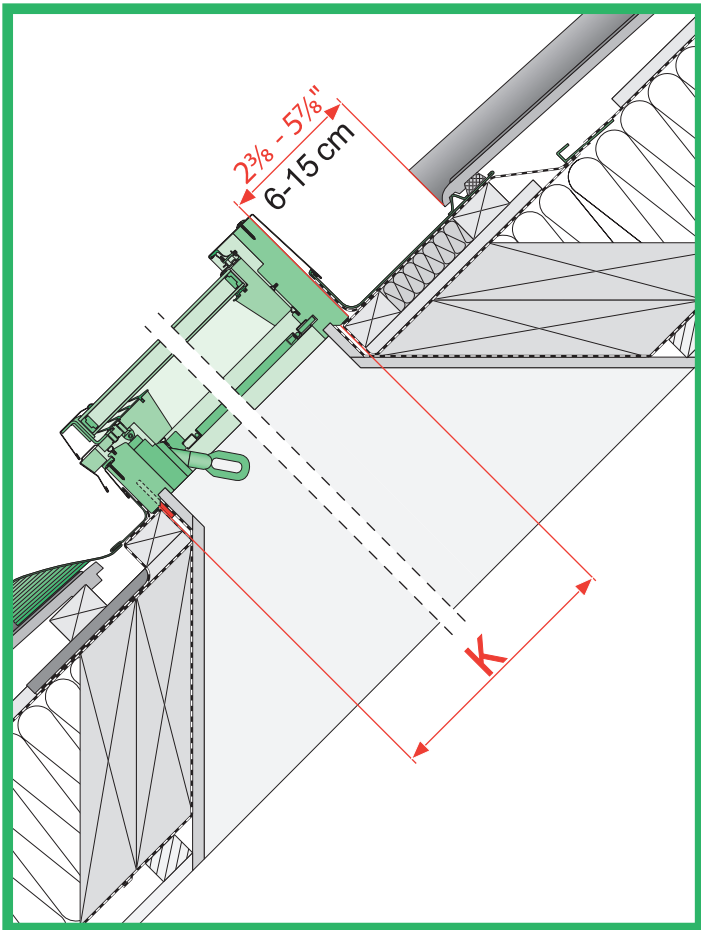




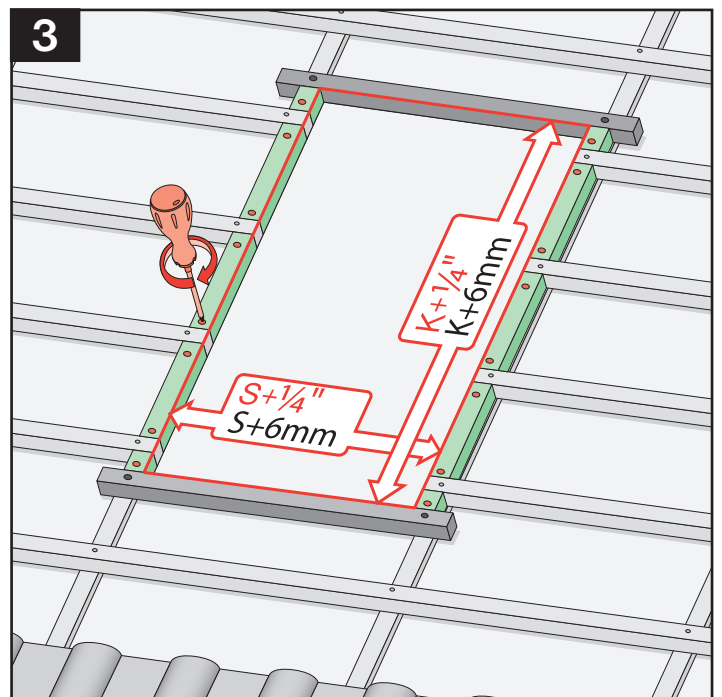
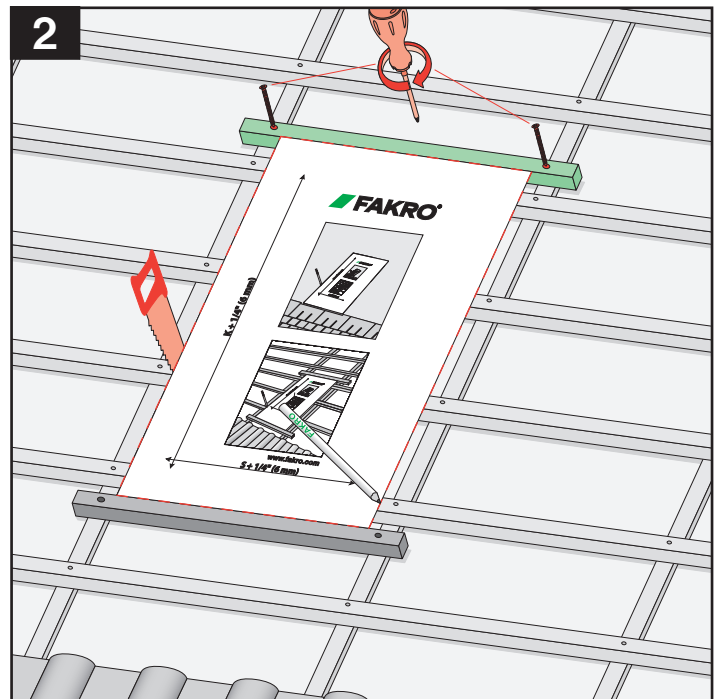
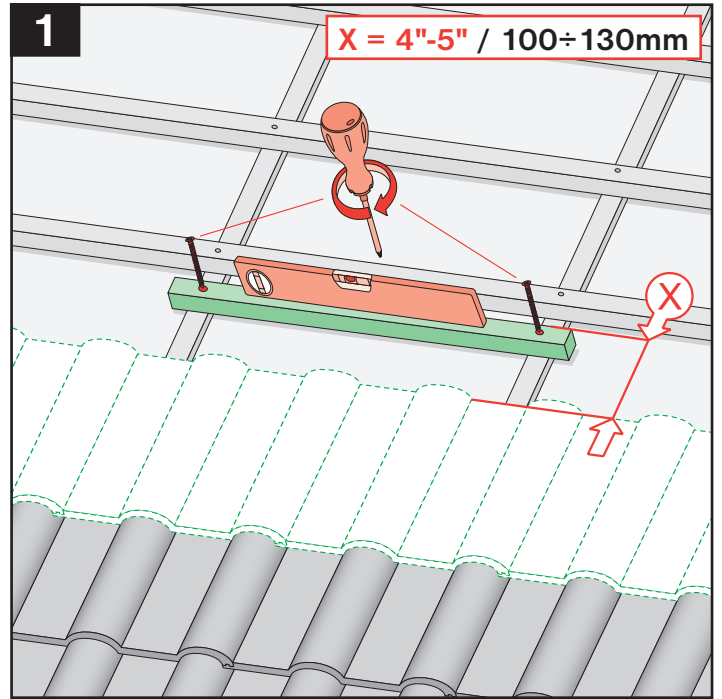








8



9