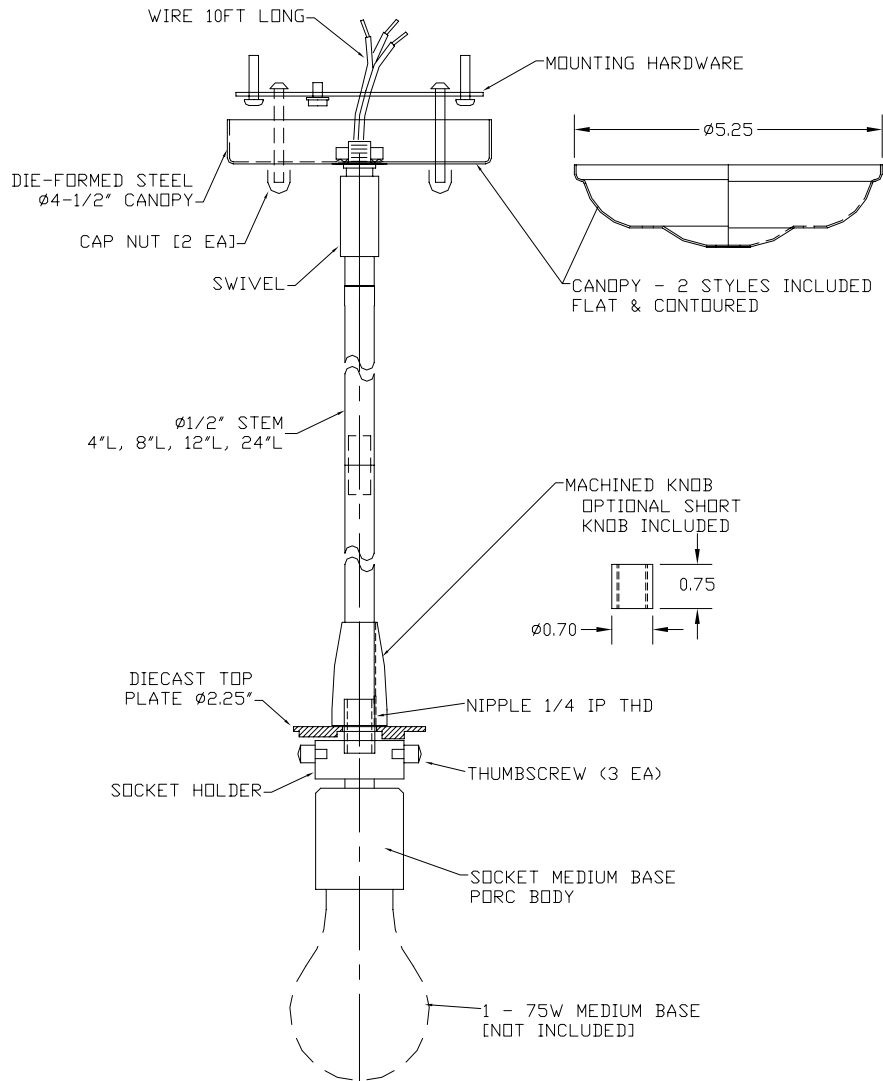


Mini Pendant Holder

Specification Sheet

Models: **F5104-19 Black**
F5104-36 Satin Nickel
F5104-68 Deep Bronze
F5104-81 White



Holder Finishes: Black -19; Satin Nickel -36; Deep Bronze -68; White -81
 Canopy Width: 5-1/4" Dia. Traditional Style; 4-1/2" Dia. Flat Style
 Lamp: 1 - 75W Medium Base (Not Included)
 Label: cULus Listed. Suitable for Dry Locations.
 Glass Shade must be Purchased Separately.