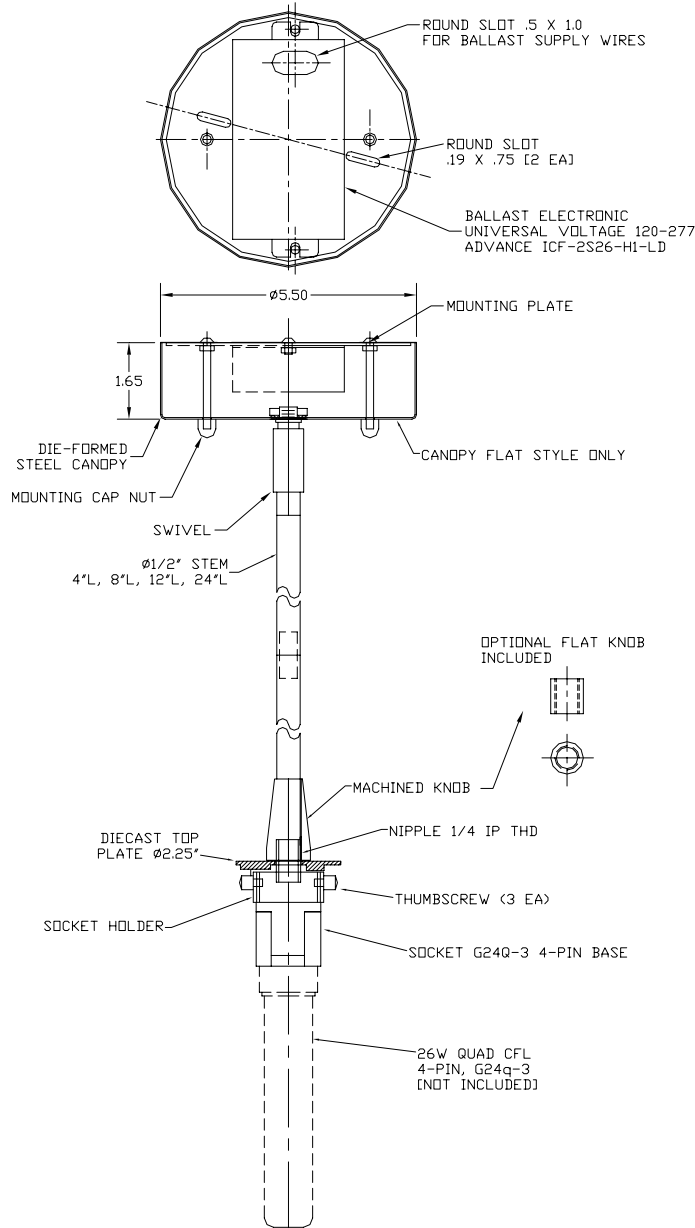


Mini Pendant Holder

Specification Sheet

Models: **F5106-19U Black**
F5106-36U Satin Nickel
F5106-68U Deep Bronze
F5106-81U White



Holder Finishes: Black -19; Satin Nickel -36; Deep Bronze -68; White -81
 Canopy Width: 5-1/2" Dia.
 Lamp: 1 - 26W Quad Tube CFL, 4-Pin G24q-3 Base (Not Included)
 Ballast: Electronic 120-277V
 Label: cULus Listed. Suitable for Dry Locations.
 Decorative Shade must be Purchased Separately.

1600 Fleetwood Drive, Elgin, IL 60123 Tel (800) 989-3000 Fax (847) 622-2542