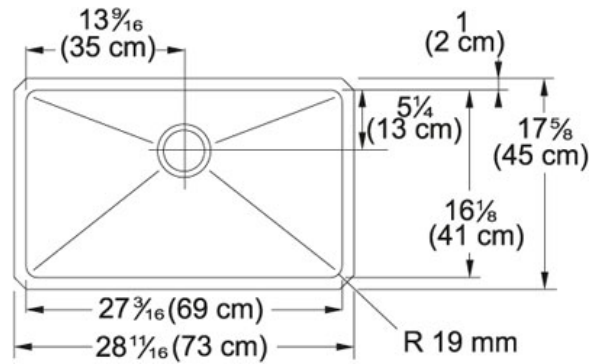


SPECIFICATION SHEET

PRODUCT FAMILY: Sinks FINISH: Stainless Steel SERIES: PROFESSIONAL SERIES MODEL: PSX1102710



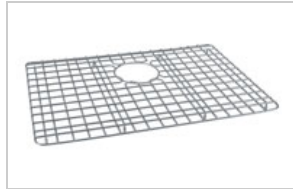
Product Information

FUN#	122.0167.432
US Part Number	PSX1102710
Minimum Cabinet Size	30"
Drain Opening	3 1/2"
Outer Dimensions	28 11/16"x17 5/8"
Bowl Size	27 3/16"x16 1/8"x9 7/8"
Number of Bowls	1
Type of Material	16 ga Stainless Steel

Accessories



112.0046.923



112.0066.232

Suggested Products



112.0049.213



112.0066.071



112.0073.921



112.0073.934



119.0066.616



119.0080.614



120.0175.331



133.0178.205