



Single Wall Ovens

FEB24S5A S/B

24" Electric



Product Dimensions

Height	30-3/4"
Width	23-7/8"
Depth	25-3/8"

More Easy-To-Use Features

Large Window

Our large oven window lets you easily see what's inside.

Bright Oven Lighting

Our bright lighting makes it easy to see what's inside.

Delay Start

Timer Function

Timed Cook Option

Auto Shut-Off

As an extra safety measure, the oven will automatically shut off after 12 hours.

Available in:



White
(S)



Black
(B)

Signature Features

Ready-Select® Controls

Easily select options or control cooking temperature with our easy-to-use controls.

Even Baking Technology

Our latest technology ensures even baking every time.

Self-Cleaning

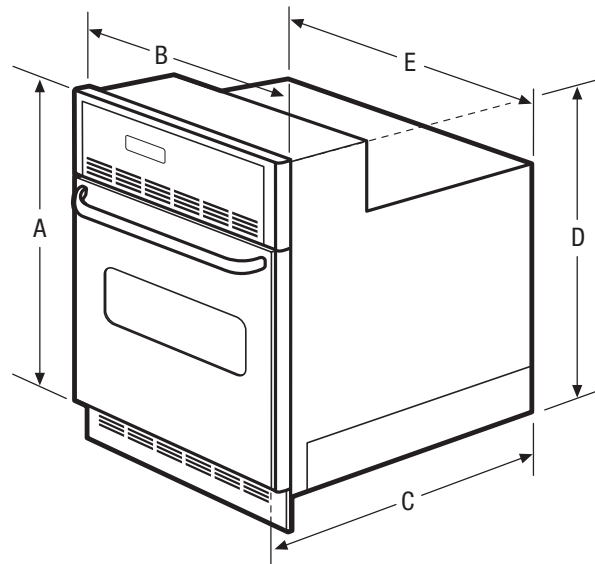
Ovens clean themselves—so you don't have to.

Vari-Broil™ Option

Allows you to choose between two heat levels.

Features	
Oven Control/Timing System	Ready-Select*
Window	Large
Exterior Door Finish	Color-Coordinated
Handle Design	Color-Coordinated
Oven Cleaning System	Self Clean
Oven Controls	
Bake/Broil	Yes/ Variable (Hi - Lo)
Convection Conversion	
Convection Bake/Broil/Roast	
Quick Bake Convection	
PowerPlus*/Quick Preheat	
My Favorite	
Chicken Nugget Button	
Pizza Button	
Keep Warm	
Add-a-Minute	
Delay Start	Yes
Self-Clean	Yes
Rapid/Quick Clean Option	
Delay Clean	2, 3 Hours
Kitchen Timer	Yes
Timed Cook Option	Yes
Control Lock	Yes
Auto Oven Shut-Off	12 Hours
Oven Lock-Out	Yes
Oven Features	
Capacity (Cu. Ft.)	2.9
Convection System	
Oven Light	1
Hidden Bake Element	
Rack Configuration	2 Handle Racks
Baking System	Even Baking Technology
Broiling System	Vari-Broil™
Bake/Broil Element (Watts)	2,100/ 3,400
Certifications	
Sabbath Mode (Star-K® Certified)	
Specifications	
Oven Interior (H x W x D)	16" x 17" x 18-1/2"
Power Supply Connection Location	Left Bottom Rear
Voltage Rating	240V / 208V / 60Hz
Connected Load (kW Rating) @ 240/208 Volts ¹	3.4/2.6
Amps @ 240/208 Volts	14.2/12.5
Minimum Circuit Required (Amps)	20
Approved for Under-Counter Installation	
Shipping Weight (Approx.)	130 Lbs.

¹Single phase 3- or 4-wire cable, 120/240 or 120/208 Volt, 60 Hertz AC only electrical supply with ground required on separate circuit fused on both sides of line.

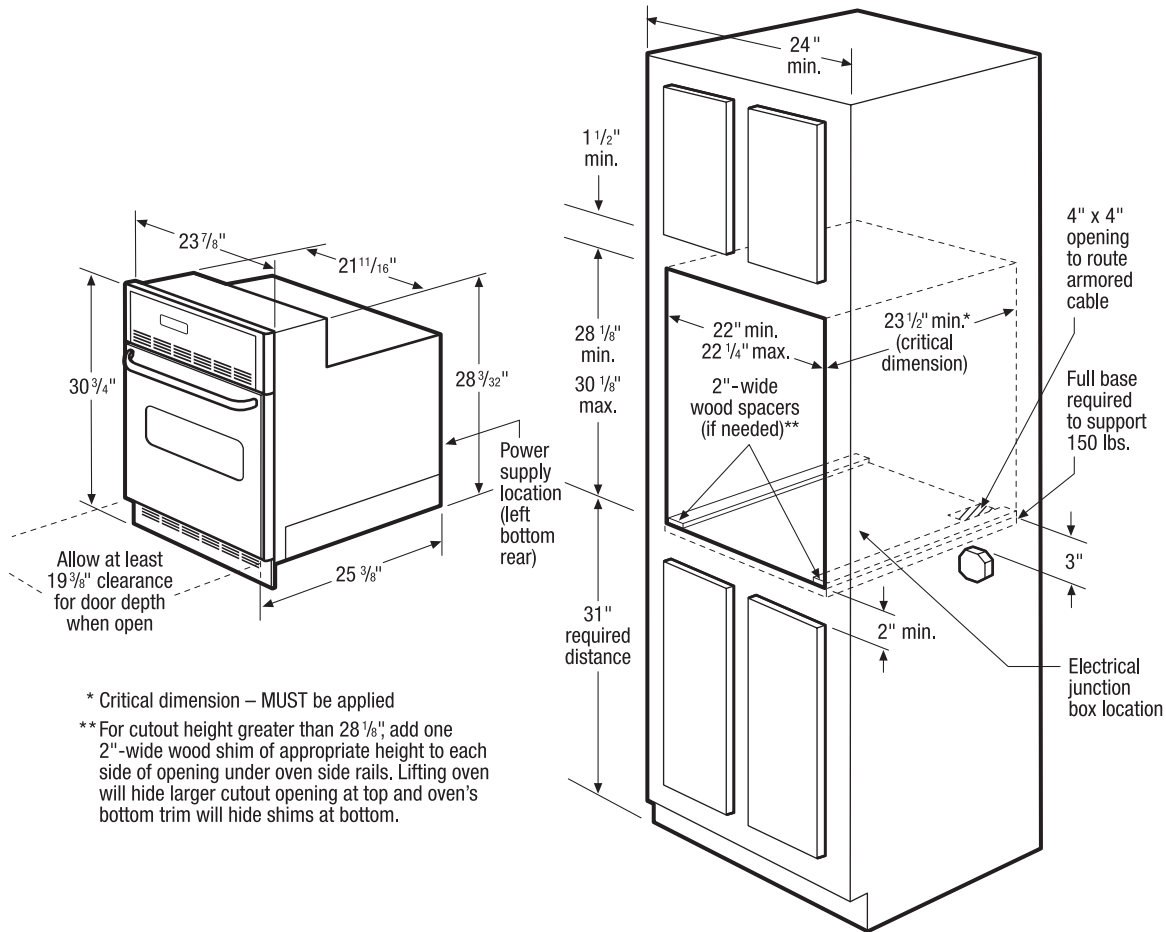


NOTE: For planning purposes only. Always consult local and national electric codes. Refer to Product Installation Guide for detailed installation instructions on the web at frigidaire.com.



Product Dimensions		Cutout Dimensions	
A - Height	30-3/4"	Height (Min.)	28-1/8"
B - Width	23-7/8"	Height (Max.)	30-1/8"
C - Depth	25-3/8"	Width (Min.)	22"
D - Height (Wrapper)	28-3/32"	Width (Max.)	22-1/4"
E - Width (Wrapper)	21-11/16"	Depth (Min.)	23-1/2"
Depth with Door Open 90°	43-3/4"		

Accessories information available on the web at frigidaire.com



Single Wall Oven Specifications

- Product Shipping Weight (approx.) - 130 Lbs.
- Single phase 3- or 4-wire cable, 120/240 or 120/208 Volt, 60 Hertz AC only electrical supply with ground required on separate circuit fused on both sides of line.
- Connected Load (kW Rating) @ 240/208 Volts = 3.4/2.6kW
- Amps @ 240/208 Volts = 14.2/12.5 Amps
- Recommended Circuit Breaker - 20 Amps
- Always consult local and national electric codes.
- Minimum 19-3/8" clearance for oven door depth when open.
- Minimum required distance from floor is 31".
- Minimum 23-1/2" deep cutout dimension is critical for proper installation, to ensure that oven's faceplate will fit flush against cabinet front.
- To adapt oven to fit cutout height greater than 28-1/8", add one 2"-wide wood shim of appropriate height to each side of opening under oven side rails. Lifting oven will hide larger cutout opening at top and oven's bottom trim will hide shims at bottom.

- Full oven base of solid plywood or similar material required, capable of supporting 150 Lbs.
- Base must be level and cabinet front must be square.
- Single Wall Oven is NOT approved to be used in stackable or side-by-side installation.
- Single Wall Oven is NOT approved to be used in under-counter installation.

Note: For planning purposes only. Refer to Product Installation Guide on the web at frigidaire.com for detailed instructions.



Use these dimensions and clearance instructions for planning purposes only. For detailed installation instructions, refer to installation guide, packed with product, or on the web at frigidaire.com.



*When installing side-by-side refrigerator adjacent to wall, cabinet or another appliance that extends beyond front edge of unit, 20" minimum clearance recommended to allow for optimum 120° to 180° door swing, providing complete drawer/crisper access and removal. (Absolute 4-1/2" minimum clearance will ONLY allow for 90° door swing which will provide limited drawer/crisper access with restricted removal.)

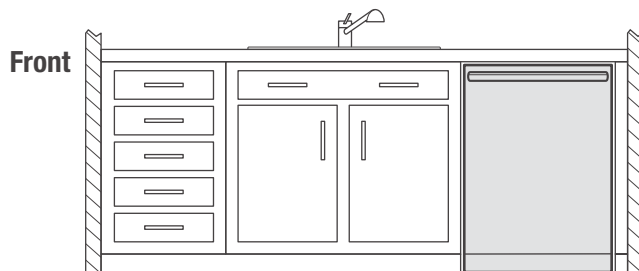
When installing appliance with sliding drawer, swinging or drop-down door directly across from obstructions, provide sufficient clearance for drawer extension or door swings.



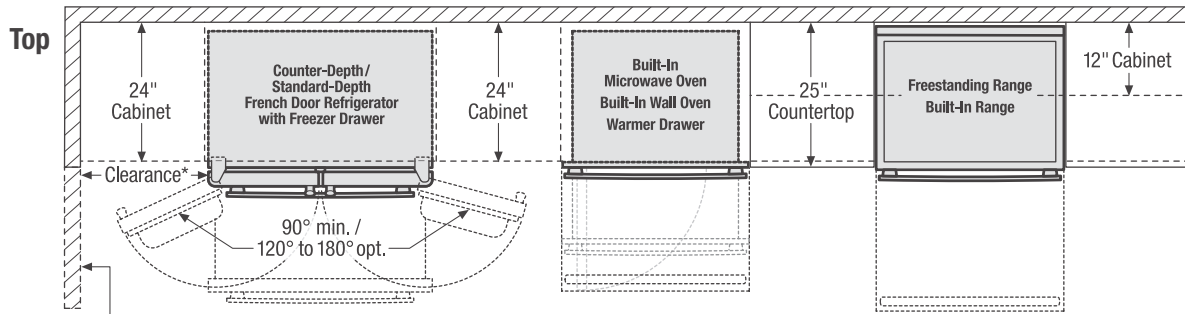
Use these dimensions and clearance instructions for planning purposes only. For detailed installation instructions, refer to installation guide, packed with product, or on the web at frigidaire.com.



*When installing top mount refrigerator adjacent to wall, cabinet or other appliance that extends beyond front edge of unit, 20" minimum clearance recommended to allow for optimum 140° door swing, providing complete crisper access and removal. (Absolute 3" minimum clearance will ONLY allow for 90° door swing which will provide limited crisper access with restricted removal.)

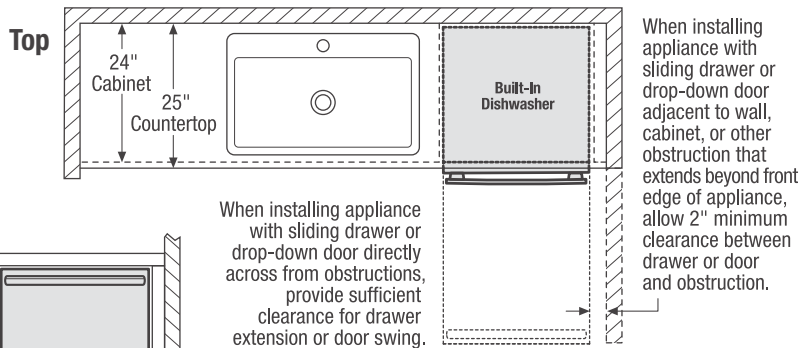


Use these dimensions and clearance instructions for planning purposes only. For detailed installation instructions, refer to installation guide, packed with product, or on the web at frigidaire.com.



*When installing French door refrigerator adjacent to wall, cabinet or another appliance that extends beyond front edge of unit, 20" minimum clearance recommended to allow for optimum 120° to 180° door swing, providing complete drawer/crisper access and removal. (Absolute 4-1/2" minimum clearance will ONLY allow for 90° door swing which will provide limited drawer/crisper access with restricted removal.)

When installing appliance with sliding drawer, swinging or drop-down door directly across from obstructions, provide sufficient clearance for drawer extension or door swings.



Use these dimensions and clearance instructions for planning purposes only. For detailed installation instructions, refer to installation guide, packed with product, or on the web at frigidaire.com.

