



Drop-In Cooktop

FFGC3005L W

30" Gas



Product Dimensions

| | |
|--------|---------|
| Width | 30" |
| Depth | 21-1/2" |
| Height | 3-1/8" |

More Easy-To-Use Features

Easy-Clean, Lift-Up Cooktop

Available in:



White
(W)

| Burners | BTU |
|-------------|-------|
| Right Front | 9,000 |
| Right Rear | 9,000 |
| Left Front | 9,000 |
| Left Rear | 9,000 |

Signature Features

Ready-Select® Controls

Select options or control cooking temperature with our easy-to-use controls.

Color-Coordinated Control Knobs

White cooktops come with matching knobs.

Electronic Pilotless Ignition

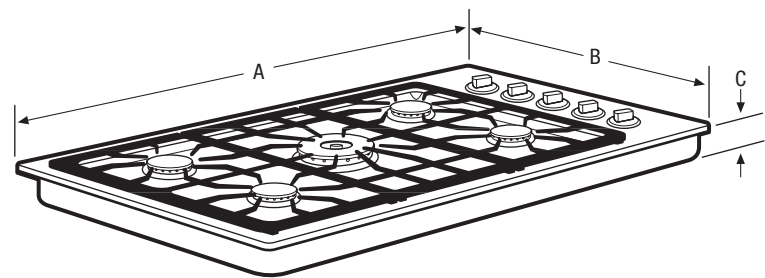
Saves energy and can be ignited manually when electricity is out.

Porcelain Cooktop Grates

Grates are durable and easy to clean.

| Features | |
|---|-------------------------------------|
| Controls | Ready-Select® |
| Surface Type | Color-Coordinated Porcelain |
| Grates | Steel Round with Black Gloss Finish |
| Right Front Element (BTU) | 9,000 |
| Right Rear Element (BTU) | 9,000 |
| Left Front Element (BTU) | 9,000 |
| Left Rear Element (BTU) | 9,000 |
| Control Location | Right Side |
| Knob Color | White |
| Knob Type | Plastic |
| Bowl Type | |
| Specifications | |
| Power Supply Connection Location | Right Rear |
| Gas Supply Connection Location | Right Rear |
| Voltage Rating | 120V / 60V / 15A |
| Connected Load (kW Rating) @ 120 Volts¹ | .8 |
| Amps @ 120 Volts | 1.0 |
| Minimum Circuit Required (Amps) | 15 |
| Approved for Electric Single Wall Oven Combination Installation | |
| Shipping Weight (Approx.) | 35 Lbs. |

¹For use on adequately wired 120V, dedicated circuit having 2-wire service with a separate ground wire. Appliance must be grounded for safe operation.



NOTE: Always consult local and national electric and gas codes. Refer to Product Installation Guide for detailed installation instructions on the web at frigidaire.com.

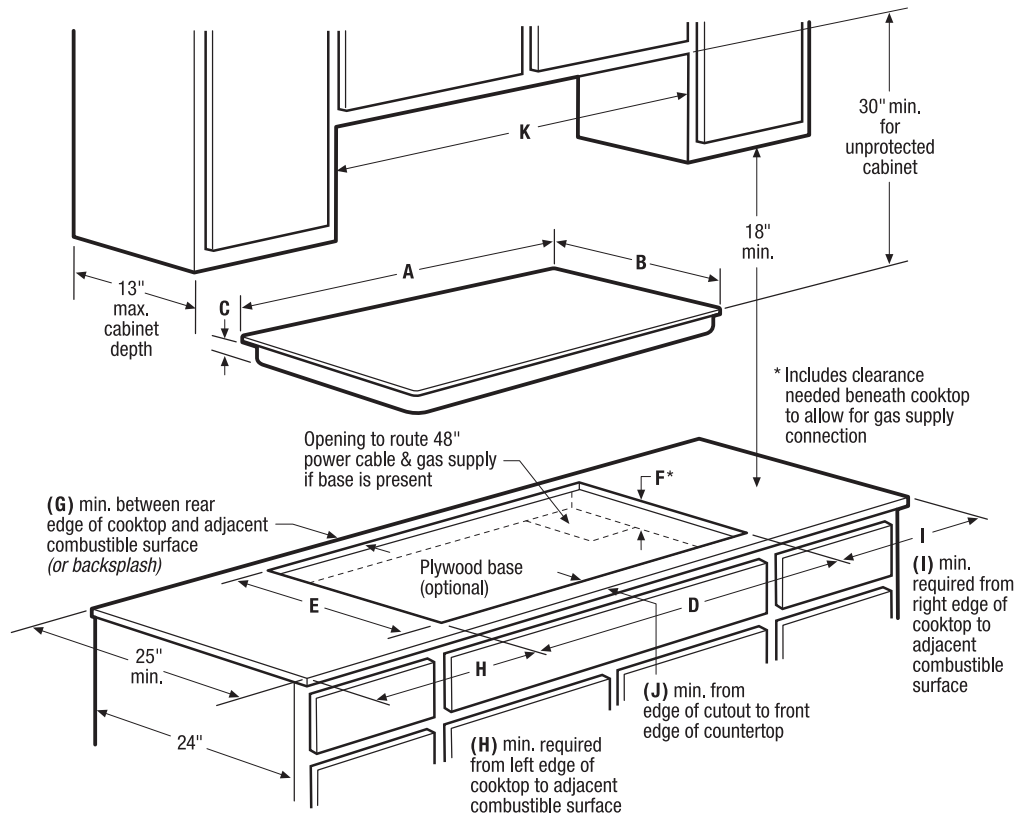


| Product Dimensions | |
|--------------------|---------|
| A - Width | 30" |
| B - Depth | 21-1/2" |
| C - Height | 3-1/8" |

| Cutout Dimensions | |
|-------------------|---------|
| Width (Min.) | 26-5/8" |
| Width (Max.) | 26-7/8" |
| Depth (Min.) | 19" |
| Depth (Max.) | 19-3/8" |
| Height | 8-1/8" |

Granite Countertop Installation Kit available.

Accessories information available on the web at frigidaire.com



| Product Dimensions | | | Required Clearances | | | |
|---------------------------|-------------------------|--------------------|----------------------------------|------------------------------|------------|----------|
| A - Width | B - Depth | C - Height | G (min.) | H (min.) | I (min.) | J (min.) |
| 30" | 21-1/2" | 3-1/8" | 2" | 2" | 0" | - |
| Product Cutout Dimensions | | | K - Cabinet Opening Width (min.) | Utility Connection Locations | | |
| D - Width (min. - max.) | E - Depth (min. - max.) | F - Height (min.)* | | Power Supply | Gas Supply | |
| 26-5/8" - 26-7/8" | 19" - 19-3/8" | 8-1/8" | 30" | Right Rear | Right Rear | |

Drop-In Cooktop Specifications

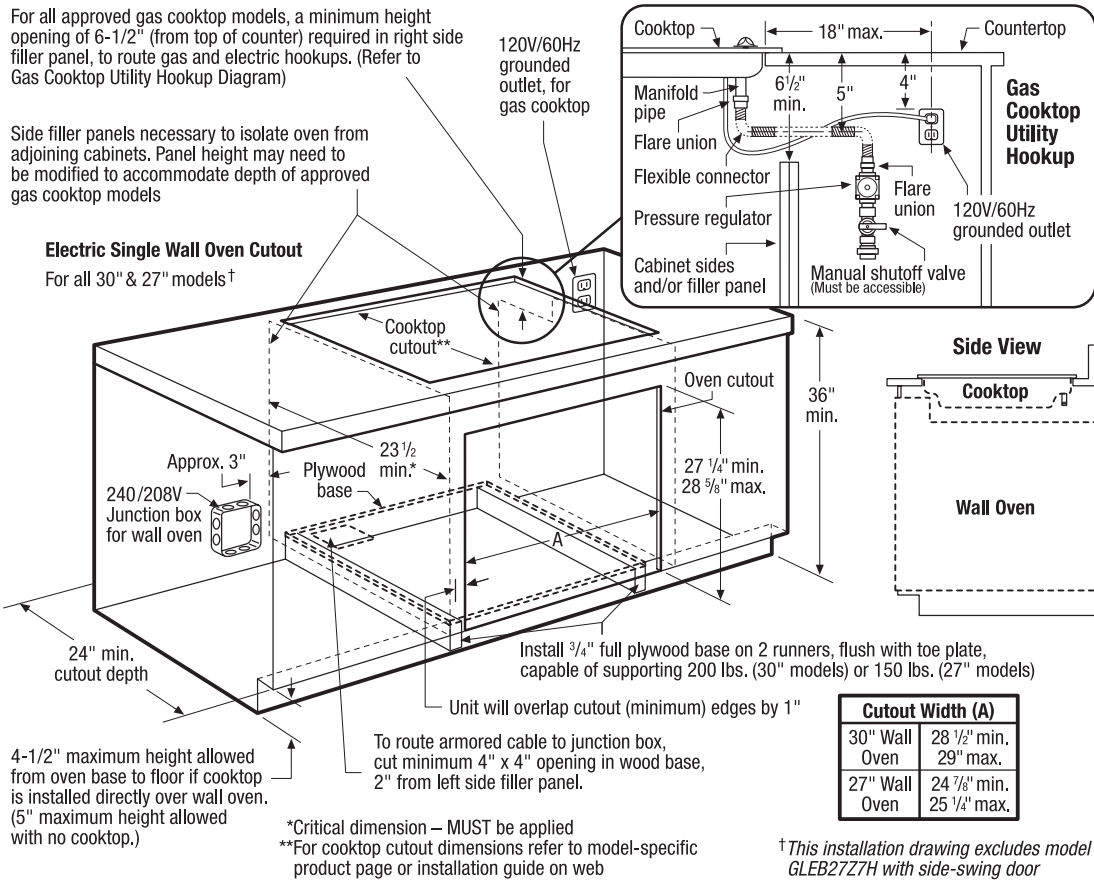
- Product Shipping Weight (approx.) - 35 Lbs.
- Voltage Rating - 120V/60 Hz/15 Amps
- For use on adequately wired 120V, dedicated circuit having 2-wire service with a separate ground wire. Appliance must be grounded for safe operation.
- Amps @ 120 Volts = 1.0 Amps
- Always consult local and national electric and gas codes.
- Cooktop cutout height includes clearance needed beneath cooktop to allow for gas supply connection. Recommended location for grounded 120V outlet is on rear wall in an 8"-wide by 10"-high area, positioned 22" above floor surface and 4" from right side of cooktop centerline. Access to underside of cooktop and junction box must be provided for inspection and service.
- Cooktop ships with 3/4" factory regulator.
- Natural gas only.
- Overhead cabinetry should not exceed a 13" maximum depth.
- Absolute minimum horizontal distance between overhead cabinets installed to either side of appliance must be no less than 30".

- Allow 30" minimum clearance between top of cooktop platform and bottom of unprotected wood or metal overhead cabinet.
- Allow 2" minimum distance between rear edge of cooktop and adjacent combustible surface (or backsplash).
- Allow 2" minimum required clearance from left edge of cooktop to adjacent combustible surface and 0" minimum from right edge of cooktop to adjacent combustible surface.
- To reduce risk of fire when using overhead cabinetry, install range hood that projects horizontally a recommended minimum of 5" beyond bottom of cabinets.
- Gas Drop-In Cooktop model FFGC3005L is NOT approved to be used over any Frigidaire® Single Wall Oven.

Note: For planning purposes only. Refer to Product Installation Guide on the web at frigidaire.com for detailed instructions.

Optional Accessories

- Granite Countertop Installation Kit - (PN # 903103-9010).



30"/27" Electric Single Wall Oven Under-Counter Installation Specifications

- Single phase 3- or 4-wire cable, 120/240 or 120/208 Volt, 60 Hertz AC only electrical supply with ground required on separate circuit fused on both sides of line.
- For detailed electrical requirements, refer to model-specific product page and installation guide on web.
- Always consult local and national electric codes.
- Minimum 21" clearance for oven door depth when open.
- Minimum 23-1/2" deep cutout dimension is critical for proper installation, to ensure that oven's faceplate will fit flush against cabinet front.
- Side filler panels necessary to isolate oven from adjoining cabinets.
- Full oven base of solid plywood or similar material required, capable of supporting 200 Lbs. (30" models) or 150 Lbs. (27" models). Install over two runners and flush with toe plate.
- Base must be level and cabinet front must be square.
- Allow 5" maximum height from oven base to floor, if NO cooktop is installed directly over wall oven.

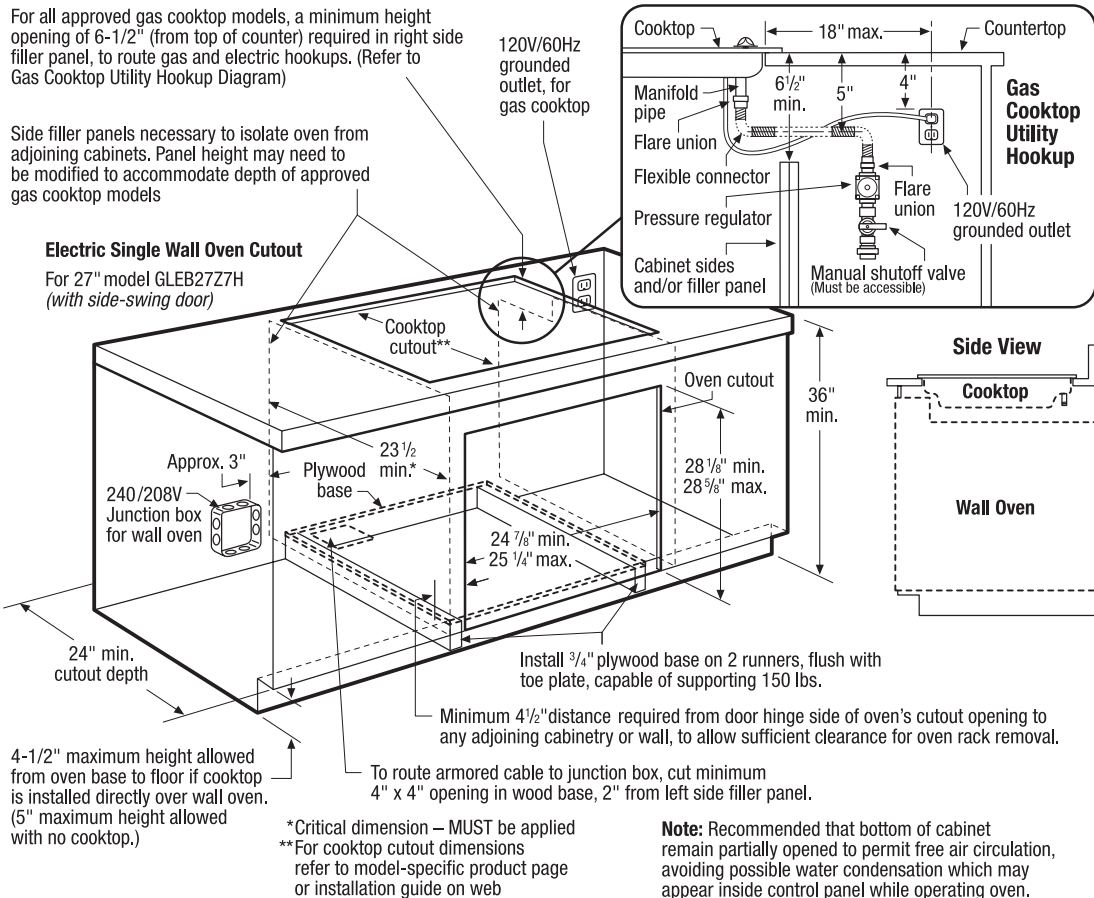
Gas Cooktop Installation Over 30"/27" Electric Single Wall Oven Specifications

All Frigidaire® Electric Single Wall Ovens are approved to be used beneath any approved Frigidaire® Gas Cooktop. (This installation page excludes approved wall oven model GLEB27Z7H. For model-specific installation details, refer to Gas Cooktop Installation Over 27" Electric Single Wall Oven GLEB27Z7H Specifications pages on web.)

For detailed Gas Cooktop installation, refer to model-specific product page and installation guide on web.

- Side filler panel height may need to be modified to accommodate the depth of approved gas cooktop models.
- Minimum height opening of 6-1/2" (from top of counter) required in right side filler panel, to route gas and electric hookups.
- Allow 4-1/2" maximum height from oven base to floor, if cooktop is installed directly over wall oven.

Note: For planning purposes only. Refer to Product Installation Guide on the web at frigidaire.com for detailed instructions.



27" Electric Single Wall Oven (GLEB27Z7H) Under-Counter Installation Specifications

- Single phase 3- or 4-wire cable, 120/240 or 120/208 Volt, 60 Hertz AC only electrical supply with ground required on separate circuit fused on both sides of line.
- For detailed electrical requirements, refer to model-specific product page and installation guide on web.
- Always consult local and national electric codes.
- Minimum 27-1/4" clearance for oven door depth when open.
- Minimum 23-1/2" deep cutout dimension is critical for proper installation, to ensure that oven's faceplate will fit flush against cabinet front.
- Minimum 4-1/2" distance required from door hinge side of oven's cutout opening to any adjoining cabinetry or wall, to allow sufficient clearance for oven rack removal.
- Side filler panels necessary to isolate oven from adjoining cabinets.
- Oven base of solid plywood or similar material required, capable of supporting 150 Lbs. Install over two runners and flush with toe plate.
- Base must be level and cabinet front must be square.
- Recommended that bottom of cabinet remain partially opened to permit free air circulation, avoiding possible water condensation which may appear inside control panel while operating oven.
- Allow 5" maximum height from oven base to floor, if NO cooktop is installed directly over wall oven.

Gas Cooktop Installation Over 27" Electric Single Wall Oven (GLEB27Z7H) Specifications

- Frigidaire® Single Wall Oven model GLEB27Z7H is approved to be used beneath any approved Frigidaire® Gas Cooktop.
- For detailed Gas Cooktop installation, refer to model-specific product page and installation guide on web.
- Side filler panel height may need to be modified to accommodate the depth of approved gas cooktop models.
 - Minimum height opening of 6-1/2" (from top of counter) required in right side filler panel to route gas and electric hookups.
 - Allow 4-1/2" maximum height from oven base to floor, if cooktop is installed directly over wall oven.

Note: For planning purposes only. Refer to Product Installation Guide on the web at frigidaire.com for detailed instructions.