



Freestanding Ranges

FGGF301DN F/W/B

30" Gas



Product Dimensions

Height (Max.)	49"
Width	30"
Depth (Including Handle)	28-7/8"

More Easy-To-Use Features

Even Baking Technology

Our Even Baking Technology ensures even baking every time.

Add-a-Minute

Easily add a minute to the oven timer in the middle of a cycle without resetting.

Sabbath Mode (Star-K® Certified)

Available in:



Stainless
(F)

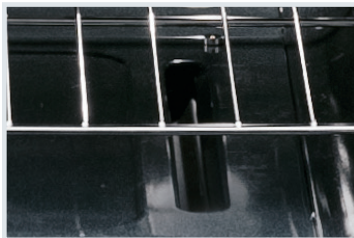


White
(W)



Black
(B)

Signature Features



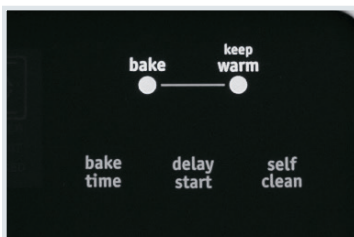
Quick Clean

Quickly clean your oven in 2 hours with our quick self-clean cycle.



Double Oven Range

A second oven provides the ultimate flexibility — you can cook two different dishes at different temperatures, and all at the same time.



One-Touch Keep Warm Setting

Just one touch of a button keeps food warm until everything — and everyone — is ready.



Continuous Grates

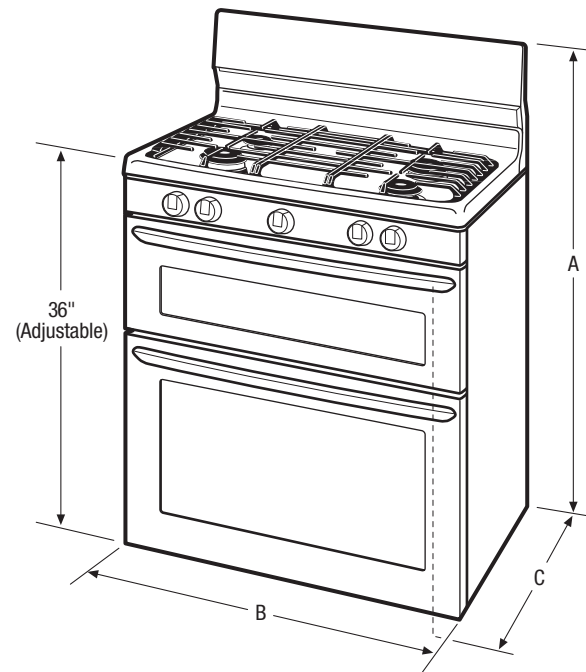
Continuous Grates make it easy to move heavy pots and pans between burners without lifting.

Burners	BTU
Right Front	17,000
Right Rear	5,000
Left Front	9,500
Left Rear	9,500

¹Select model only.

Features	
Oven Control/ Timing System	Express-Select® Controls
Surface Type	Black Porcelain
Sealed Gas Burners	Yes
Grates	Continuous Cast Iron w/ Black Matte Finish
Window	Large
Exterior Door Finish	Smudge-Proof Stainless Steel (F), Color-Coord. (W/B)
Handle Design	Stainless Steel (F), Color-Coordinated (W/B)
Exterior Finish (Side Panels)	Black (F), Color-Coord. (W/B)
Convection System	
Oven Cleaning System	Self Clean
Upper Oven	Fits-More™ Upper Oven
Oven Controls	
Bake/Broil	Yes/ Variable (400-550°F)
Effortless™ Convection Conversion	
Convection Bake/Broil/Roast	
Quick Bake Convection	
Quick Preheat	
Effortless™ Temperature Probe	
My Favorite	
Chicken Nugget Button	
Pizza Button	
Keep Warm	Yes
Add-a-Minute	Yes
Delay Start	Yes
Self Clean	Yes
Quick Clean Option	Yes
Delay Clean	2, 3, 4 Hours
Kitchen Timer / Timed Cook Option	Yes/Yes
Auto Oven Shutoff	12 Hours
Oven Lock-Out	Yes
Cooktop Features	
Right Front Burner (BTU)	17,000
Right Rear Burner (BTU)	5,000
Left Front Burner (BTU)	9,500
Left Rear Burner (BTU)	9,500
Center Extra Zone Burner (BTU)	
Oven Features	
Upper/Lower Capacity (Cu. Ft.)	2.3/3.5
Upper/Lower Oven Light	1/1
Upper/Lower Rack Configuration	1/2 Standard
Baking System	Even Baking Technology
Broiling System	Vari-Broil™
Upper Bake / Broil Burners (BTU)	11,500/10,000
Lower Bake / Broil Burners (BTU)	12,500 / No
Optional Accessories	
LP Gas Conversion Kit	PN# 318565419
Certifications	
Sabbath Mode (Star-K® Cert.)	Yes
Specifications	
Upper Oven Interior (H x W x D)	8-3/8" x 24-3/8" x 19-3/8"
Lower Oven Interior (H x W x D)	12-3/4" x 24-1/8" x 19-1/2"
Power / Gas Supply Conn. Location	Left Bottom / Right Bottom Rear
Voltage Rating	120V / 60Hz / 15A
Conn. Load (kW Rating) @ 120 Volts¹	1.8
Amps @ 120 Volts	15
Shipping Weight (Approx.)	260 Lbs.

¹For use on adequately wired 120V, dedicated circuit having 2-wire service with a separate ground wire. Appliance must be grounded for safe operation.



NOTE: For planning purposes only. Always consult local and national electric and gas codes. Refer to Product Installation Guide for detailed installation instructions on the web at frigidaire.com.

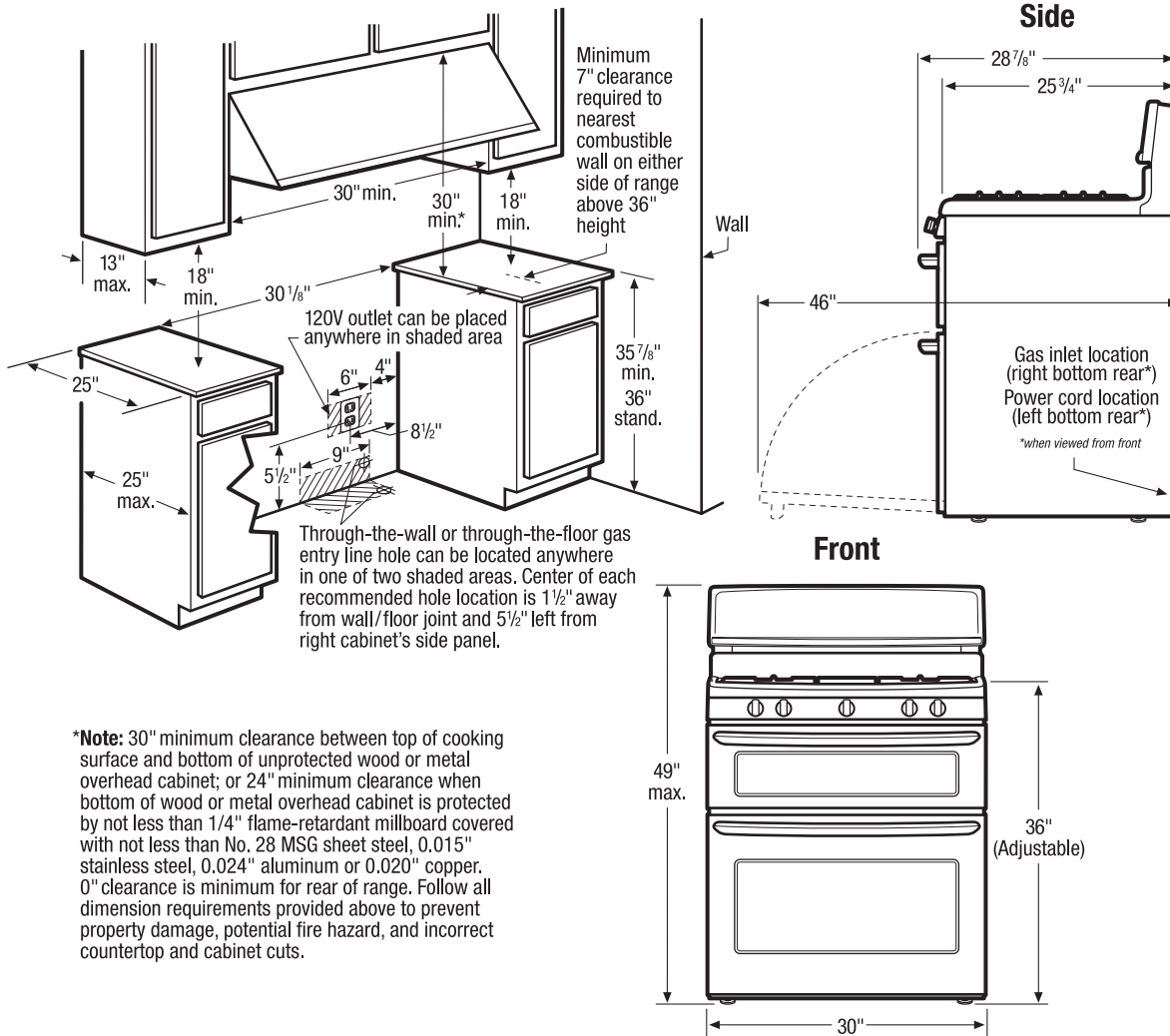


Product Dimensions		Cutout Dimensions	
A - Height (Max.)	49"	Height (Stand.)	36"
B - Width	30"	Width (Min.)	30-1/8"
C - Depth (Including Handle)	28-7/8"	Depth (Min.)	24"
Depth with Door Open 90°	46"		

Accessories information available on the web at frigidaire.com

FRIGIDAIRE

USA • 10200 David Taylor Drive • Charlotte, NC 28262 • 1-800-FRIGIDAIRE • frigidaire.com
 CANADA • 5855 Terry Fox Way • Mississauga, ON L5V 3E4 • 1-800-265-8352 • frigidaire.ca



***Note:** 30" minimum clearance between top of cooking surface and bottom of unprotected wood or metal overhead cabinet; or 24" minimum clearance when bottom of wood or metal overhead cabinet is protected by not less than 1/4" flame-retardant millboard covered with not less than No. 28 MSG sheet steel, 0.015" stainless steel, 0.024" aluminum or 0.020" copper. 0" clearance is minimum for rear of range. Follow all dimension requirements provided above to prevent property damage, potential fire hazard, and incorrect countertop and cabinet cuts.

Freestanding Range Specifications

- Product Shipping Weight (approx.) - 260 Lbs.
- Voltage Rating - 120V / 60 Hz / 15 Amp
- Connected Load (kW Rating) @ 120 Volts = 1.8kW
(For use on adequately wired 120V, dedicated circuit having 2-wire service with a separate ground wire. Appliance must be grounded for safe operation.)
- Amps @ 120 Volts = 15 Amps
- Always consult local and national electric and gas codes.
- Make sure wall coverings around range can withstand heat generated by range.
- Linoleum or any other synthetic floor covering located beneath range, must be capable of withstanding minimum heat of 90° F above room temperature without shrinking, warping or discoloring. Insulating pad or 1/4"-thick plywood required between range and a carpeted floor.
- Do not obstruct flow of combustion air at oven vent nor around base or beneath lower front panel of range. Range requires fresh air for proper burner combustion.
- Do not install range beneath any downward-blowing, overhead vent hood or air curtain.
- Range ships with 1/2" NPT factory regulator.
- Range is LP Gas convertible. (Optional LP Gas Conversion Kit available.)
- Overhead cabinetry should not exceed a 13" maximum depth.

- Allow 30" minimum clearance between top of cooking surface and bottom of unprotected wood or metal overhead cabinet; or 24" minimum clearance when bottom of wood or metal overhead cabinet is protected by not less than 1/4" flame-retardant millboard covered with not less than No. 28 MSG sheet steel, 0.015" stainless steel, 0.024" aluminum or 0.020" copper.
- Absolute minimum horizontal distance between overhead cabinets installed to either side of appliance must be no less than maximum width of appliance.
- Range can be installed flush to wall with 0" minimum rear clearance.
- Minimum 7" clearance required from edge of rangetop to nearest combustible wall on either side of range above 36" height.
- To reduce risk of fire when using overhead cabinetry, install vent hood that projects horizontally a recommended minimum of 5" beyond bottom of cabinets.
- Follow all dimension requirements provided to prevent property damage, potential fire hazard, and incorrect countertop and cabinet cuts.

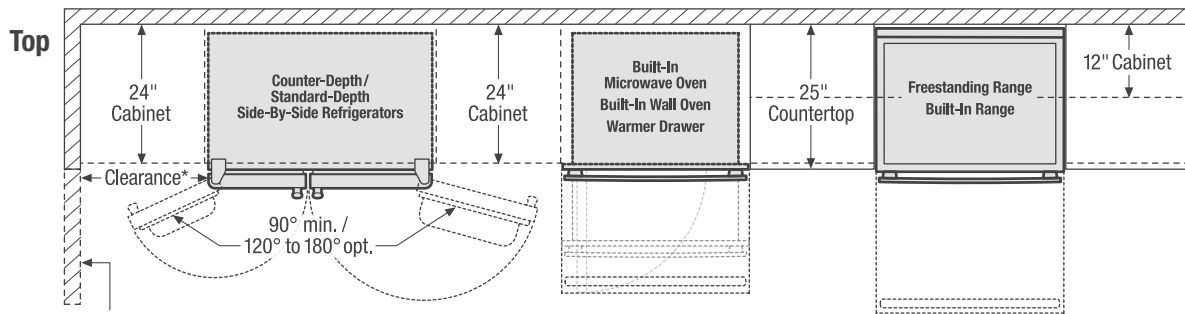
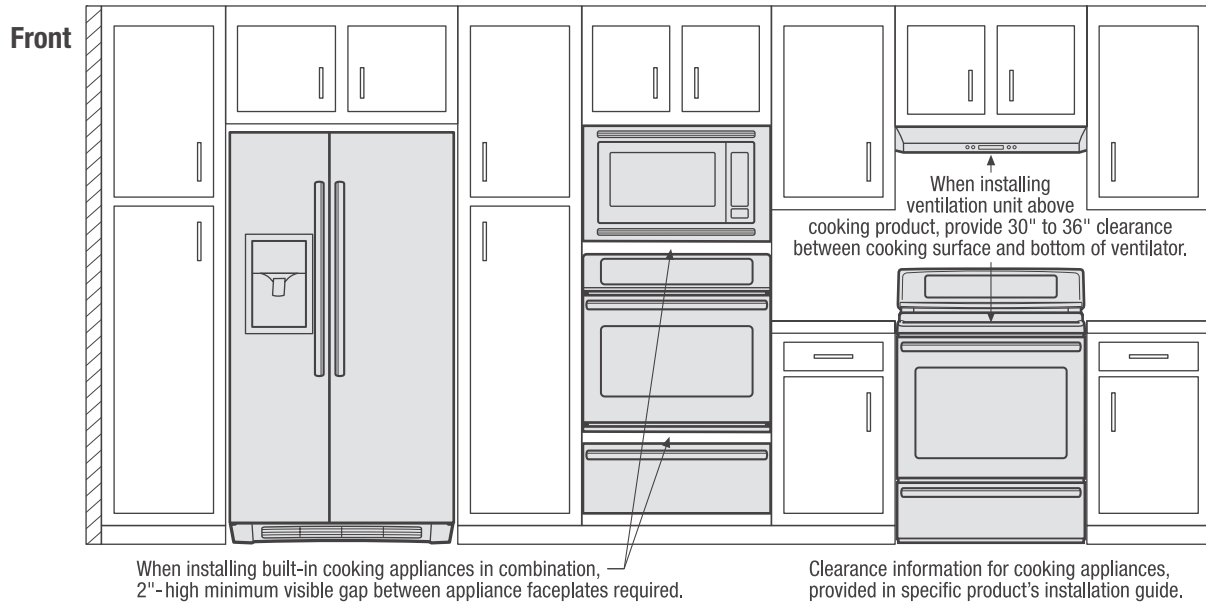
Optional Accessories

- LP Gas Conversion Kit - (PN# 318565419)

Note: For planning purposes only. Refer to Product Installation Guide on the web at frigidaire.com for detailed instructions.

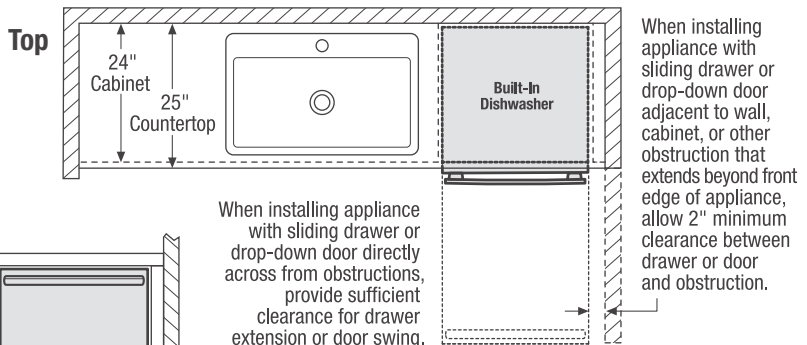


Use these dimensions and clearance instructions for planning purposes only. For detailed installation instructions, refer to installation guide, packed with product, or on the web at frigidaire.com.



*When installing side-by-side refrigerator adjacent to wall, cabinet or another appliance that extends beyond front edge of unit, 20" minimum clearance recommended to allow for optimum 120° to 180° door swing, providing complete drawer/crisper access and removal. (Absolute 4-1/2" minimum clearance will ONLY allow for 90° door swing which will provide limited drawer/crisper access with restricted removal.)

When installing appliance with sliding drawer, swinging or drop-down door directly across from obstructions, provide sufficient clearance for drawer extension or door swings.



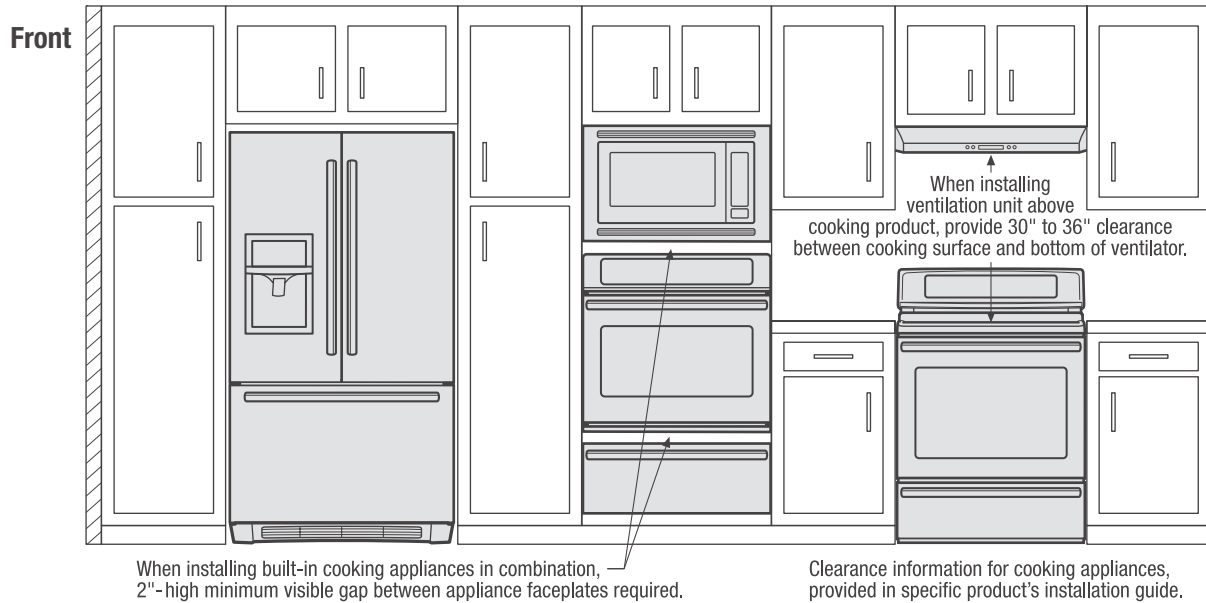
Use these dimensions and clearance instructions for planning purposes only. For detailed installation instructions, refer to installation guide, packed with product, or on the web at frigidaire.com.



*When installing top mount refrigerator adjacent to wall, cabinet or other appliance that extends beyond front edge of unit, 20" minimum clearance recommended to allow for optimum 140° door swing, providing complete crisper access and removal. (Absolute 3" minimum clearance will ONLY allow for 90° door swing which will provide limited crisper access with restricted removal.)



Use these dimensions and clearance instructions for planning purposes only. For detailed installation instructions, refer to installation guide, packed with product, or on the web at frigidaire.com.



*When installing French door refrigerator adjacent to wall, cabinet or another appliance that extends beyond front edge of unit, 20" minimum clearance recommended to allow for optimum 120° to 180° door swing, providing complete drawer/crisper access and removal. (Absolute 4-1/2" minimum clearance will ONLY allow for 90° door swing which will provide limited drawer/crisper access with restricted removal.)

When installing appliance with sliding drawer, swinging or drop-down door directly across from obstructions, provide sufficient clearance for drawer extension or door swings.



Use these dimensions and clearance instructions for planning purposes only. For detailed installation instructions, refer to installation guide, packed with product, or on the web at frigidaire.com.

