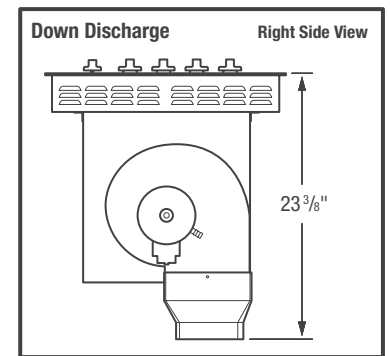
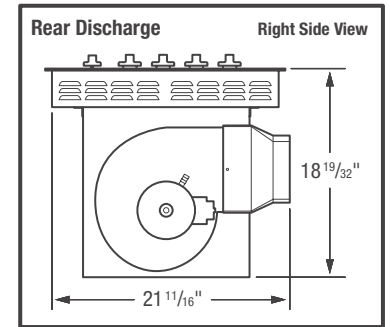


36" Electric Cooktop with Ventilation Unit

For ventilation unit ductwork preparation and installation planning information, refer to 36" Electric Cooktop Ductwork Preparation page.



Built-In Cooktop Specifications

- Shipping Weight (approx.) - 80 Lbs.
- Single phase 3- or 4-wire cable, 120/240 or 120/208 Volt, 60 Hertz AC only electrical supply with ground required on separate circuit fused on both sides of line.
- Connected Load (kW Rating) @ 240/208 Volts = 40.8/35.7kW
- Amps @ 240/208 Volts = 50 Amps
- Recommended Circuit Breaker - 50 Amps
- Always consult local and national electric codes.
- For detailed electrical supply location, refer to 36" Electric Cooktop (RC36DE60P) Ductwork Preparation page.
- Locate cooktop between wall studs or floor joists so that ductwork may be installed properly.
- Installing cooktop into pre-existing base cabinets may require modifications. Cabinets with drawers require drawers be removed and drawer fronts attached to cabinet face. Verify internal length and width of cabinet base because sides or back wall may need cut out and corner braces removed to accommodate unit.
- Countertop opening MUST be cut based on dimensions shown, cut squarely with sides parallel to each other and with front and rear perpendicular to cabinet sides.
- Pre-formed countertops with raised lip and radius at base of backsplash may not allow enough flat area for proper installation. Minimum 1" distance required from rear and front edge of cooktop cutout.
- Overhead cabinetry should not exceed a 13" maximum depth.

- Absolute minimum horizontal distance between overhead cabinets installed to either side of appliance must be no less than 36".
- Allow 30" minimum clearance between top of cooktop platform and bottom of unprotected wood or metal overhead cabinet; or 24" minimum clearance when bottom of wood or metal overhead cabinet is protected by not less than 1/8" flame-retardant millboard covered with not less than No. 28 MSG sheet steel, 0.015" stainless steel, 0.024" aluminum or 0.020" copper.
- Allow 9" minimum required clearance from left edge and right edge of cooktop to nearest combustible wall on each side.

Ductwork Preparation

- For ventilation unit ductwork preparation and planning information, refer to 36" Electric Cooktop (RC36DE60P) Ductwork Preparation page.
- Down discharge can also be adapted for alternate ductwork installation providing left or right exhaust, by ordering Alternate Duct Transition Kit (PN # 5304488297).

Note: For planning purposes only. Refer to Product Installation Guide on the web at frigidaire.com for detailed instructions.

Optional Accessories

- Granite Countertop Installation Kit - (PN # 903061-9010).
- Alternate Duct Transition Kit - (PN # 5304488297).

36" Electric Downdraft Cooktop – Ductwork Preparation

Ventilation unit comes detached from cooktop. To ensure proper installation, refer to 36" Electric Downdraft Cooktop Specifications page for planning information, and installation guide on web for complete installation details including countertop and cabinet requirements.

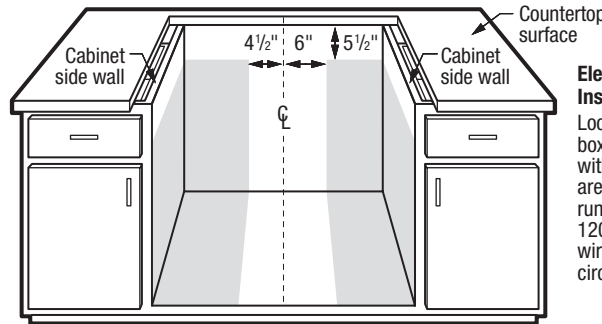
Ducting Options

On floor, through floor or through wall.

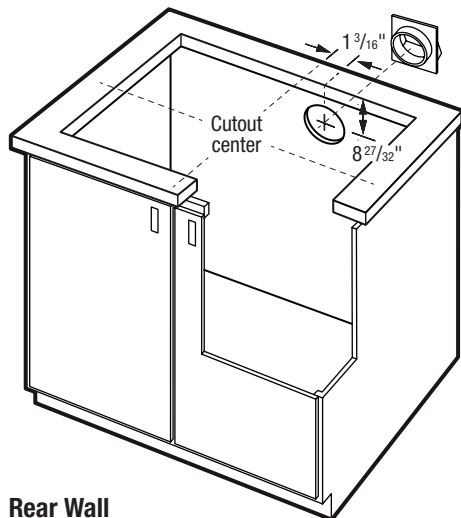
Exhaust Outlet Locations –

Cut exhaust outlet hole in wall or floor based on desired installation. Exhaust duct MUST be located between wall studs or floor joists.

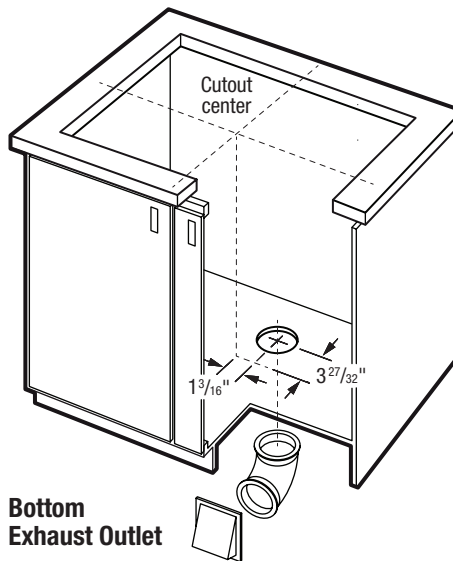
Electrical Supply Location



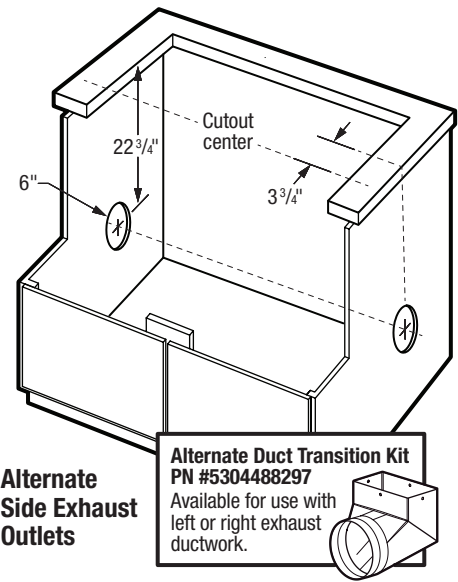
Electrical Installation Note: Locate junction box under cabinet within shaded area shown and run 120/240 or 120/208 Volt, AC wire from main circuit panel.



Rear Wall Exhaust Outlet



Bottom Exhaust Outlet



Alternate Side Exhaust Outlets

Alternate Duct Transition Kit PN #5304488297
Available for use with left or right exhaust ductwork.

Built-In Cooktop Ductwork Preparation

- Ventilation unit comes detached from cooktop. To ensure proper installation, refer to 36" Electric Downdraft Cooktop Specifications page for planning information, and installation guide on web for complete installation details including countertop and cabinet requirements.
- Ducting Options – On floor, through floor or through wall.
- Ventilation Unit Discharge Options – Rear or down.
- Down discharge can also be adapted for alternate ductwork installation providing left or right exhaust, by ordering Alternate Duct Transition Kit (PN #5304488297).
- Consider ductwork location and desired installation before cutting exhaust outlet hole in cabinet. For proper installation, cooktop exhaust duct MUST be located between wall studs or floor joists.
- Vent exhaust air outside only and NOT into any concealed space.
- Exhaust Duct Required – Galvanized or aluminum duct in 6" round or 3-1/4" x 10" rectangular, or combination of both. PVC should be used if installing under concrete slab.
- Local building code must be followed in specifying approved type and schedule of ALL duct used; always use appropriate roof or wall cap with damper.

- For maximum efficiency, use shortest, straightest duct run possible. Unit operates most efficiently with up to 100 equivalent feet of duct. (Refer to Calculating Duct Length Table in Product Installation Guide.)
- Flexible ducting is not recommended due to severely restricted airflow; if blower outlet and floor or wall duct location do NOT align, flexible METAL ducting can be used to adapt to offset.
- Thermal breaks such as short section of nonmetallic duct, should be used in areas of extreme cold. Cold weather installations should have additional backdraft damper installed.

Note: For planning purposes only. Refer to Product Installation Guide on the web at frigidaire.com for detailed instructions.

Optional Accessories

- Alternate Duct Transition Kit – (PN #5304488297).