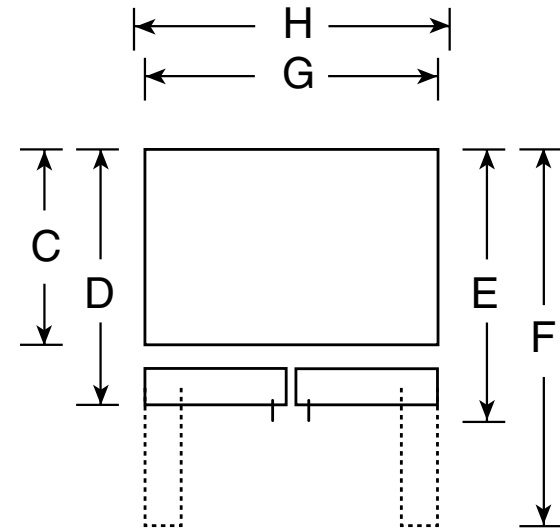
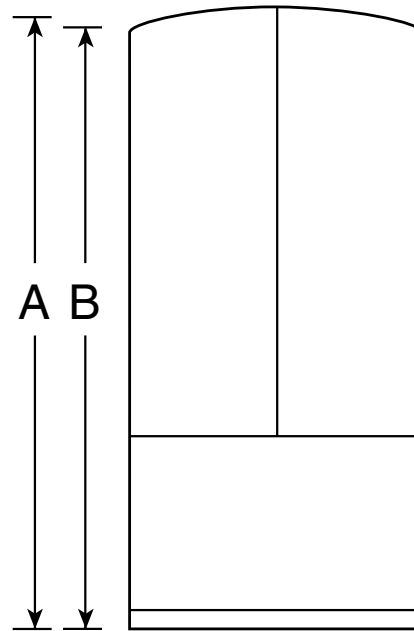


GBSLOHCX

GE® ENERGY STAR® 23.2 Cu. Ft. Bottom-Freezer Door Refrigerator

Dimensions and Installation Information (in inches)

Overall Dimensions	Height to top of hinge (in.) A	66-1/2
	Height to top of case (in.) B	65-3/4
	Case depth without door (in.) C	28-1/4
	Case depth less door handle (in.) D	32-1/2
	Case depth with door handle (in.) E	33-7/8
	Depth with fresh food door open 90° (in.) F	59-3/4
	Width (in.) G	29-3/4
Air Clearances	Width with door open 90° inc. door handle (in.)	33-1/4
	Each side (in.)	1/8
	Top (in.)	1
	Back (in.)	1



For answers to your Monogram®, GE Profile™ or GE® appliance questions, visit our website at ge.com or call GE Answer Center® service, 800.626.2000.



imagination at work



Listed by
Underwriters
Laboratories



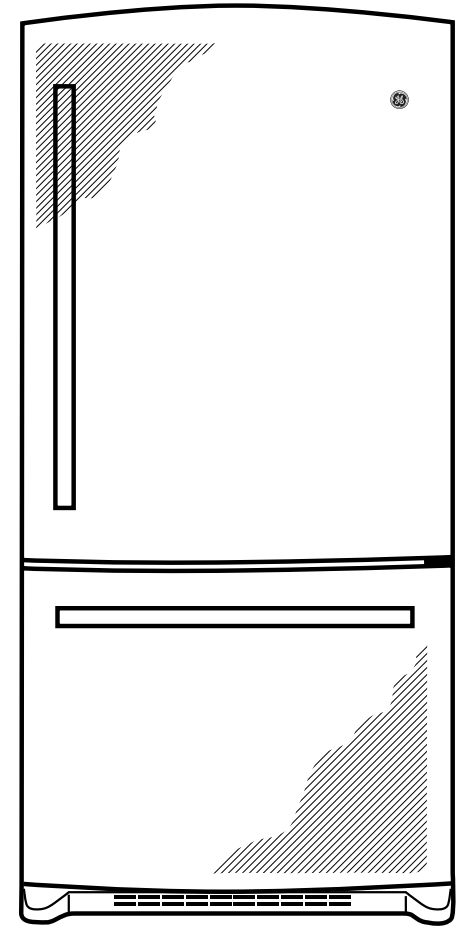
As an ENERGY STAR® partner, GE has determined that this product meets the ENERGY STAR guidelines for energy efficiency.

GBSLOHCX

GE® ENERGY STAR® 23.2 Cu. Ft. Bottom-Freezer Door Refrigerator

Features and Benefits

- CleanSteel™ crown doors with hidden hinges - Modern door design resists fingerprints, smudges and smears
- Upfront electronic temperature controls - Easy-to-use controls are located in an easy-to-reach position
- BrightSpace™ interior with GE Reveal® lighting - It's easy to find tasty treats under bright, clear interior lighting
- Crisper drawers - Provides the ideal environment for storing your fruits and vegetables
- Snack drawer - Conveniently stores favorite foods and allows for quick, easy access
- Adjustable glass shelves - Shelves adjust to handle tall items and create additional space
- Gallon door bins - Gallon containers are easily accommodated to allow for more fresh food space
- NeverClean™ condenser - Encased coils take the dirty work out of maintaining your refrigerator
- Deluxe quiet design - Designed to reduce unnecessary sounds in the kitchen
- Model GBSLOHCXLLS - CleanSteel™
- Model GBSLOHCXRLS - CleanSteel™



imagination at work



As an ENERGY STAR® partner, GE has determined that this product meets the ENERGY STAR guidelines for energy efficiency.