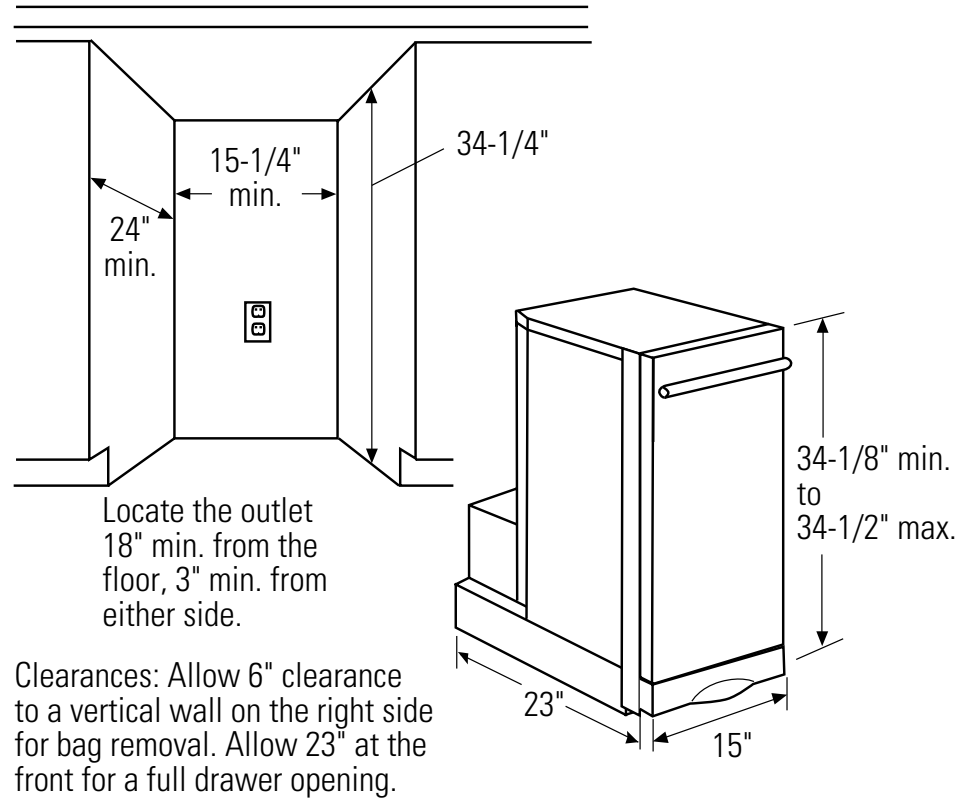


GCG1500R

GE Profile™ 15" Built-In Compactor

Dimensions and Installation Information (in inches)



For answers to your Monogram,® GE Profile™ or GE® appliance questions, visit our website at ge.com or call GE Answer Center® service, 800.626.2000.



imagination at work



Specification Created 5/09

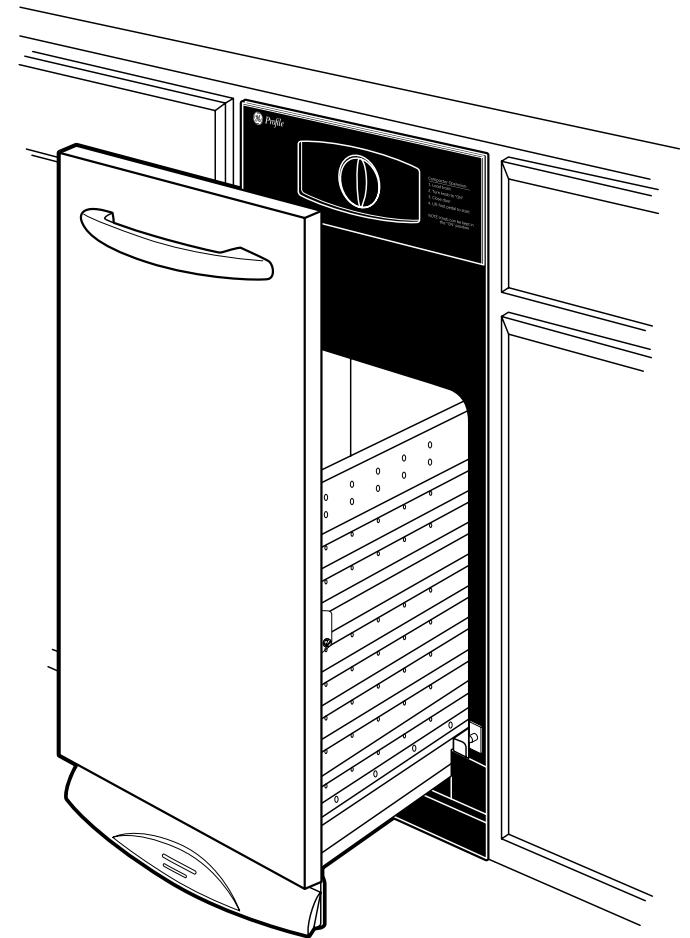
250308

GCG1500R

GE Profile™ 15" Built-In Compactor

Features and Benefits

- Color Wrap Door with Color-Matched Handle - The seamless door is wrapped in a continuous sheet of color for a rich, contemporary look
- Hidden Controls - The controls are hidden behind the compactor door, lending a beautiful designer appearance
- Built-In Only - The compactor is built-in to adjacent cabinetry for an upscale appearance
- 1.4 Cu. Ft. Capacity - Provides plenty of room for waste items or recyclables
- 1/3 HP Motor - Powerful motor provides maximum compacting power
- Removable Key Lock - Provides added safety by assuring the drawer remains locked during use
- Toe Pedal Opener - Hands-free toe pedal drawer makes it easy to open and load
- Automatic Anti-Jam - Operation is easy and reliable, even with a challenging load
- Rear Wheels - Allow easy movement and installation
- Removable Drawer - Makes it simple to empty and clean
- Model GCG1500RWW - White on white
- Model GCG1500RBB - Black on black



imagination at work