

JTS10SP

GE® 30" Built-In Single Wall Oven

Dimensions and Installation Information (in inches)

KW Rating	
240V	3.8
208V	1.8
Breaker Size	
240V	20 Amps
208V	20 Amps

Most 30" Wall Cabinets can be used with this unit.

Note: These ovens are not approved for stackable installations.

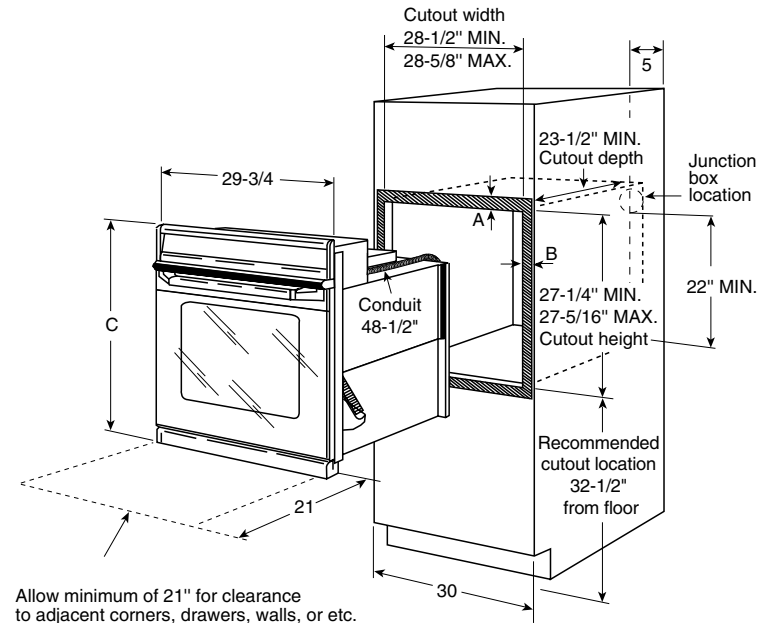
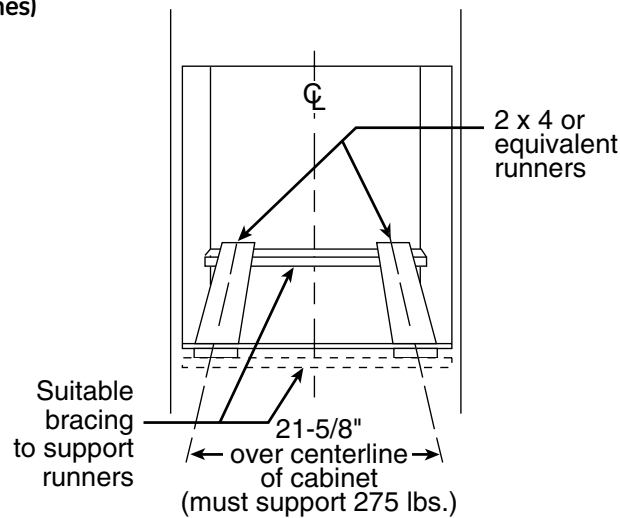
Note: Cabinets installed adjacent to wall ovens must have an adhesion spec of at least a 194°F temperature rating.

Door handle protrudes 3" from door face. Cabinets and drawers on adjacent 45° and 90° walls should be placed to avoid interference with the handle.

Installation Information: Before installing, consult installation instructions packed with product for current dimensional data.

Electric wall ovens are not approved for installation with a plug and receptacle. They must be hard wired in accordance with installation instructions.

Side-by-side installations require at least 2" between cutouts.



Allow minimum of 21" for clearance to adjacent corners, drawers, walls, or etc.

A=Allow 1" overlap of oven over top and bottom edges of cutout.
B=Allow 11/16"-3/4" for overlap of oven over side edges of cutout.
C=28-1/4" without trim and 28-3/4" with trim.

For answers to your Monogram®, GE Profile™ or GE® appliance questions, visit our website at geappliances.com or call GE Answer Center® service, 800.626.2000.



imagination at work

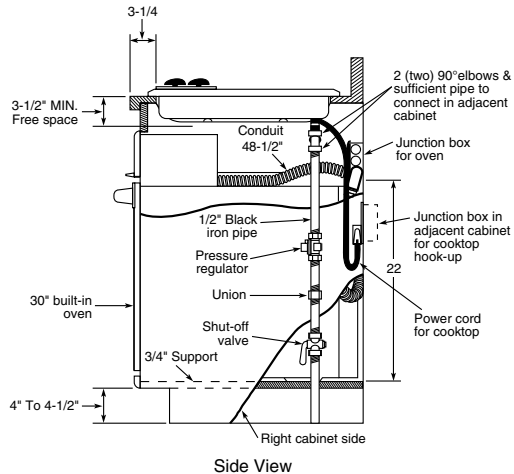


Listed by
Underwriters
Laboratories

JTS10SP

GE® 30" Built-In Single Wall Oven

Optional Undercounter Installation Dimensions (in inches)



Side View

This installation is to achieve minimum gap between bottom of countertop and control panel.

Note: For this installation, the bottom trim **will not** be flush with a typical 4" toe kick.

Note: Cabinets installed adjacent to wall ovens must have an adhesion spec of at least a 194°F temperature rating.

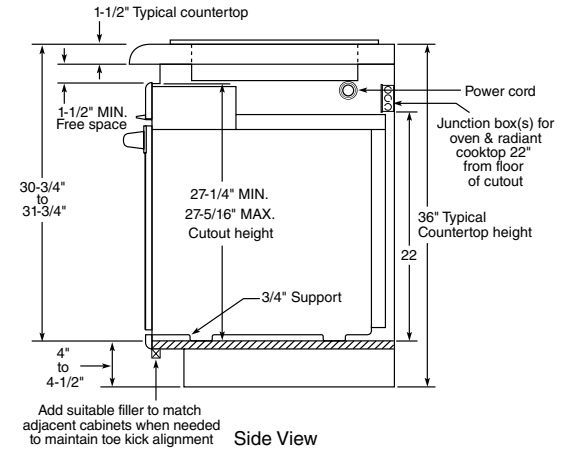
Note: 36" radiant and induction cooktops are approved for use over GE 30" single wall ovens only. 30" radiant and induction cooktops are approved for use over GE 30" and GE 27" single wall ovens. Refer to cooktop and wall oven installation information packed with products for current dimensional data.

Installation Information: Before installing, consult installation instructions packed with product for current dimensional data.

For answers to your Monogram®, GE Profile™ or GE® appliance questions, visit our website at geappliances.com or call GE Answer Center® service, 800.626.2000.



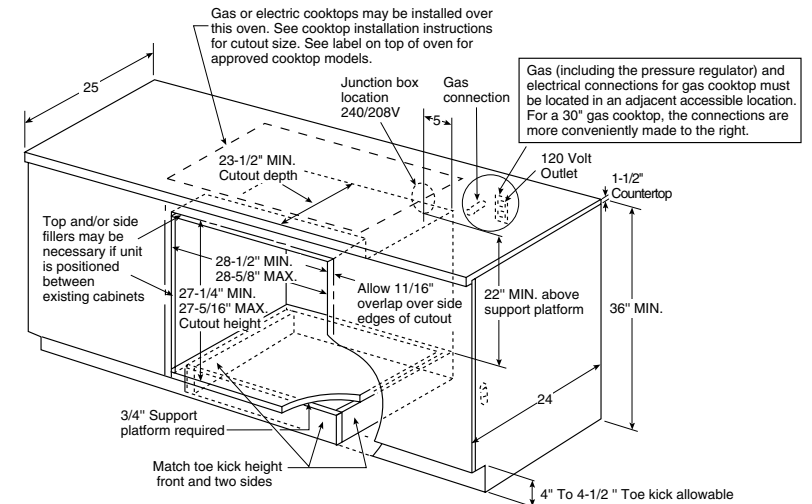
Optional Undercounter Installation With Electric Cooktop Dimensions (in inches)



Side View

Add suitable filler to match adjacent cabinets when needed to maintain toe kick alignment

Undercounter Installation



Gas or electric cooktops may be installed over this oven. See cooktop installation instructions for cutout size. See label on top of oven for approved cooktop models.

Gas (including the pressure regulator) and electrical connections for gas cooktop must be located in an adjacent accessible location. For a 30" gas cooktop, the connections are more conveniently made to the right.



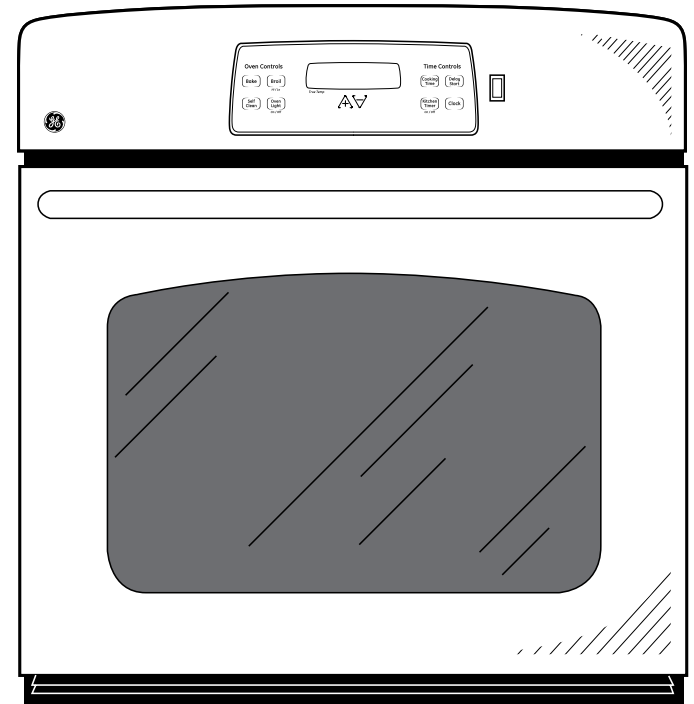
JTS10SP

GE® 30" Built-In Single Wall Oven

Features and Benefits

- Standard Clean Oven - Smooth surface and rounded corners make clean-up quick and easy
- Super-large Oven Capacity - Remarkably large oven interior is ideal for holidays, dinner parties and everyday family cooking
- Electronic Oven Controls - Electronic pads on the control panel are easy to operate with just a touch
- Interior Oven Light - Bright interior light helps you check on the progress of your cooking
- Hidden Bake Oven Interior - Conceals the lower oven bake element to eliminate hard-to-reach areas that collect food and spills for easy cleaning
- Heavy-duty Oven Racks - Tough, durable racks include 50% thicker crossbars for extra strength
- Variable Broil - The choice is yours: High Broil for beef to seal in the juices, or Low Broil for poultry, when it needs to cook more thoroughly.
- Certified Sabbath Mode - Convenient mode keeps the oven warm in accordance within the restrictions of the kosher kitchen
- Multiple Oven Rack Positions - Several positions allow you to adjust the oven racks to accommodate any size cookware
- Audible Preheat Signal - Convenient signal alerts you when the oven reaches your desired temperature
- Model JTS10SPSS – Stainless steel

For answers to your Monogram®, GE Profile™ or GE® appliance questions, visit our website at geappliances.com or call GE Answer Center® service, 800.626.2000.



imagination at work



Listed by
Underwriters
Laboratories