

# GDWF100V/150V/160V

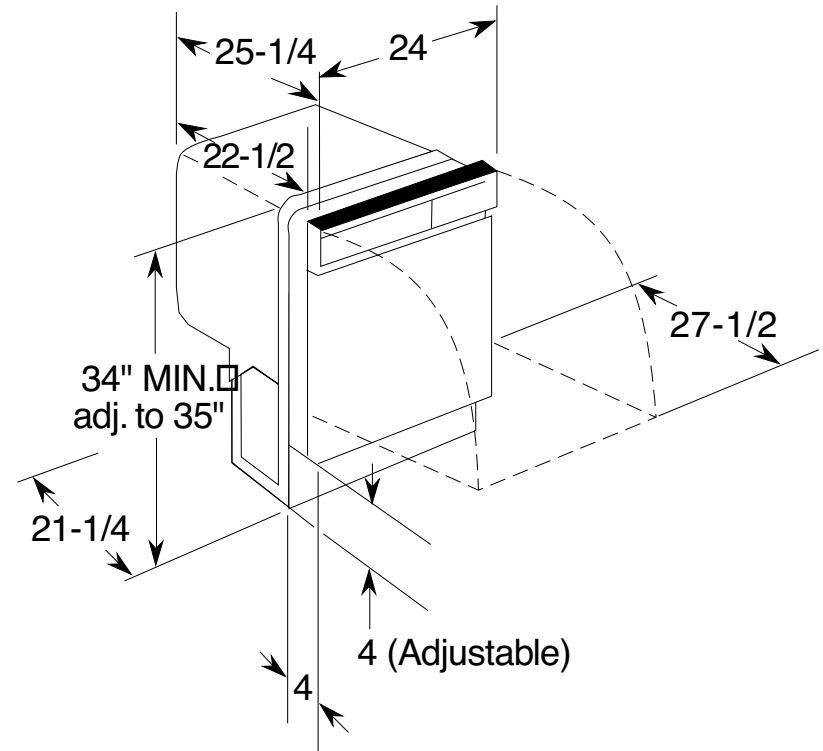
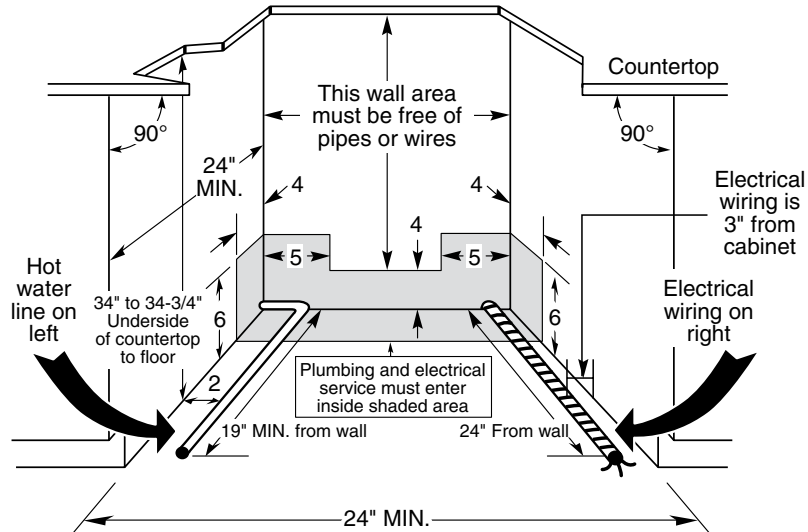
## GE® Stainless Steel Interior Dishwasher with Front Controls

### Dimensions and Installation Information (in inches)

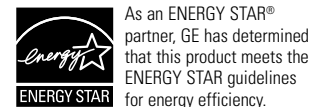
#### Electrical Rating

Voltage AC.....	120
Hertz.....	60
Total connected load amperage.....	9.9
Calrod® heater watts max.....	675/825

For use on adequately wired 120-volt, 15-amp circuit having 2-wire service with a separate ground wire. This appliance must be grounded for safe operation.



For answers to your Monogram® Cafe™ Series, Profile™ Series or GE® appliance questions, visit our website at [geappliances.com](http://geappliances.com) or call GE Answer Center® service, 800.626.2000.

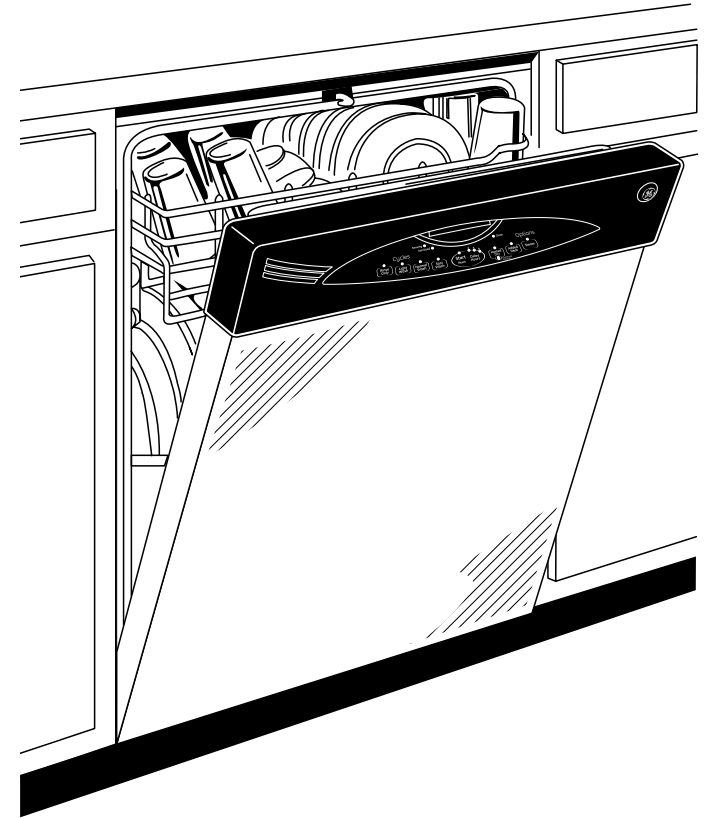


# GDWF100V/150V/160V

## GE® Stainless Steel Interior Dishwasher with Front Controls

### Features and Benefits

- 5-stage filtration with Piranha™ hard-food disposer - 5 self-cleaning filters ensure clean dishes
- Dedicated Silverware Jets - Highly pressurized spray jets target the silverware area for improved cleaning
- Steam PreWash - Loosens tough soils before any cycle virtually eliminating the need for soaking or pre-rinsing dishes
- Fan assist dry with heated option and Active Vent - A heating element heats the air inside while a hidden fan circulates the warm air to help dry dishes
- 52dBA sound level - Nearly silent two-pump system cleans dirty dishes without disruption
- ENERGY STAR® qualified and CEE Tier II rated - Meets or exceeds federal guidelines for energy efficiency for year-round energy and money savings
- Full-extension racks - Durable racks glide smoothly on ball-bearings for easy loading
- Pearlescent gray racks with ball-tip tines - Long-lasting durable racks resist rusting, chipping and peeling
- Upper rack deep bowl tines - Even oversized bowls fit perfectly in the top rack for easy cleaning
- 2/4/8-hour Delay Start - Wash dishes at your convenience
- Model GDWF160VSS – Stainless steel
- Model GDWF100VWW – White on white
- Model GDWF100VBB – Black on black
- Model GDWF150VES - Slate



imagination at work



As an ENERGY STAR® partner, GE has determined that this product meets the ENERGY STAR guidelines for energy efficiency.