

# CGS975SEDSS

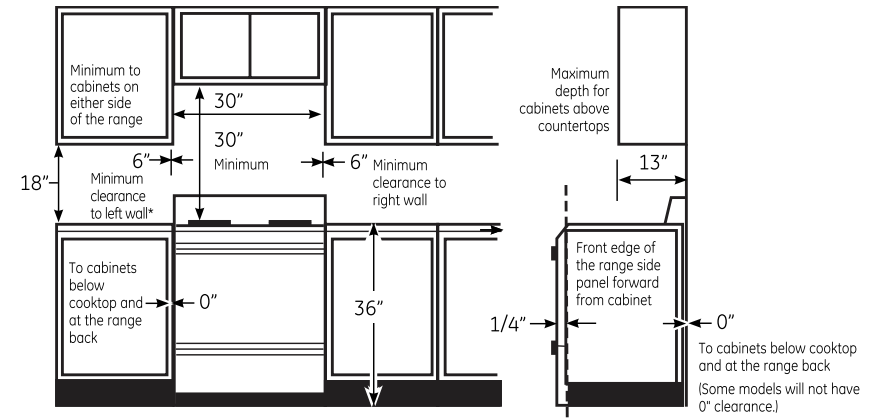
## GE Café™ Series 30" Free-Standing Range with Storage Drawer

### Dimensions and Installation Information (in inches)

**Electrical Requirements:** 120v; 60Hz, 15A

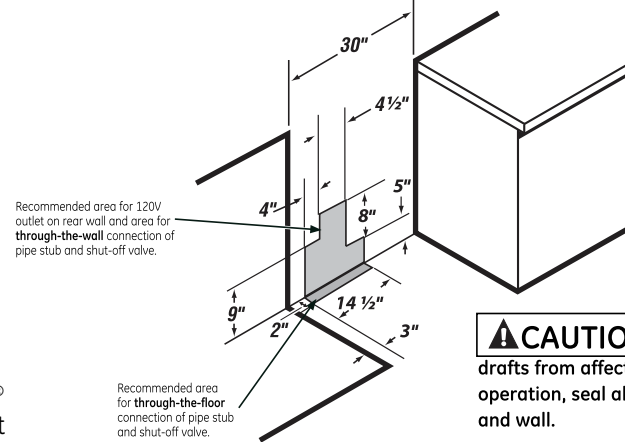
**Installation information:** Before installing, consult installation instructions packed with product for current dimensional data.

**Optional accessories:** Tall backguard JXS80SS  
(Available at additional cost)



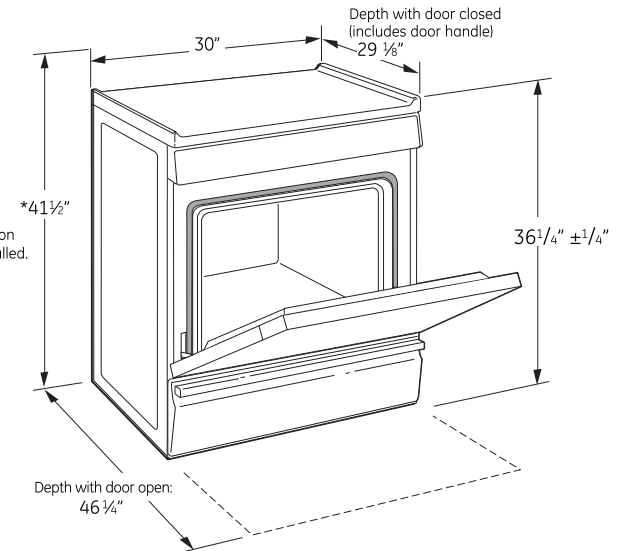
For island installation, Model CGS990, maintain 2-1/2 in. minimum from cutout to back edge of countertop and 3 in. minimum from cutout to side edges of countertop.

### GAS PIPE AND ELECTRICAL OUTLET LOCATIONS



**CAUTION** To prevent drafts from affecting burner operation, seal all openings in floor and wall.

\*Height to backguard based on Café style backguard kit installed.



For answers to your Monogram® or GE® appliance questions, visit our website at [geappliances.com](http://geappliances.com) or call GE Answer Center® service, 800.626.2000.



ADA qualified based on Uniform Federal Accessibility Standards



All GE ranges are equipped with an Anti-Tip device. The installation of this device is an important, required step in the installation of the range.



Specification Revised 3/13

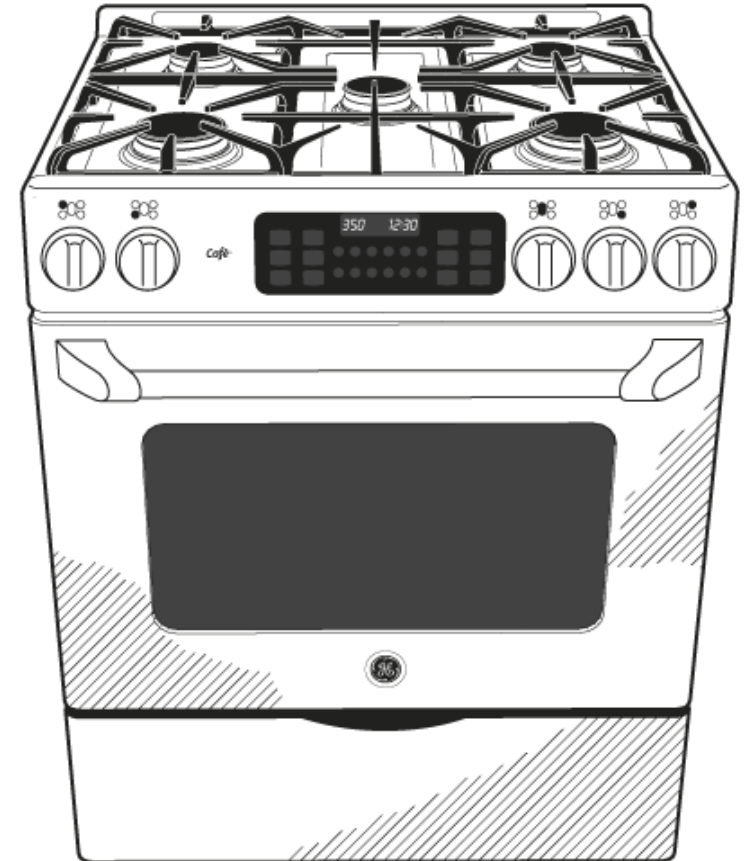
230590

# CGS975SEDSS

## GE Café™ Series 30" Free-Standing Range with Storage Drawer

### Features and Benefits

- Gas convection oven - Circulates heat for high-quality results
- 16,000 BTU Power Boil burner - Delivers intense heat for faster boiling
- Precise Simmer burner - Delivers a low setting of 140 degrees
- Self-clean oven - Conveniently cleans the oven cavity without need of scrubbing
- Stainless steel, deep-recessed cooktop - Contains spills for quick and easy cleaning
- Heavy-cast grates - Durable cast iron offers lasting performance
- 5.4 cu. ft. oven capacity - More room for cooking more dishes at once
- Model CGS975SEDSS - Stainless steel



imagination at work