

GTDS820/825GD

GE® 7.8 cu. ft. capacity gas dryer with stainless steel drum and steam

Dimensions and Installation Information (in inches)

Exhaust Option: When viewed from the front of the unit, exhaust 3-way via rear, left and bottom. Dryer is shipped exhausted to the rear. Alternate exhausting knockouts are supplied.

Gas: An individual, properly-grounded branch circuit, with a three-prong grounding-type receptacle, protected by a 15 or 20 amp circuit breaker or a time-delay fuse is required.

Gas Dryer Electric Rating: 120V, 60Hz, 9A

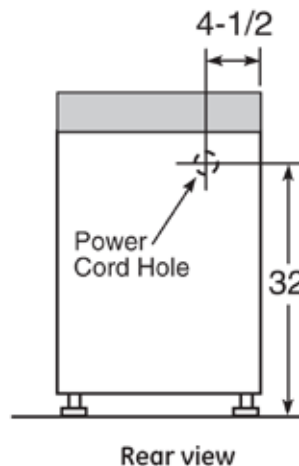
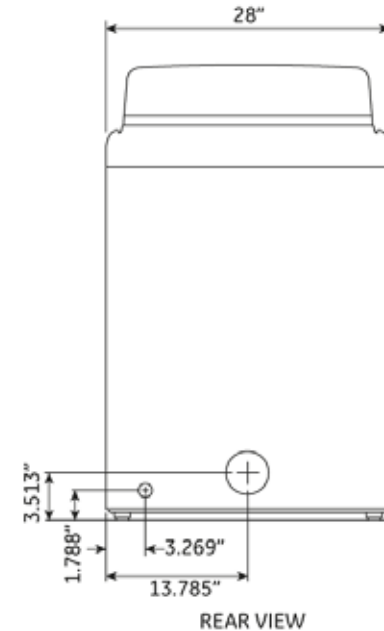
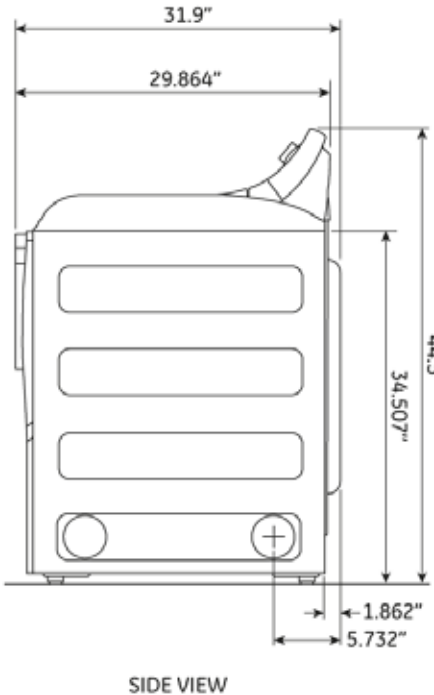
Gas (BTU/HR): 16,000. Factory-equipped for natural gas. Tested for LP gas. LP gas supply requires a conversion kit. Check installation instructions for correct kit and have a qualified gas technician install a conversion kit. See dryer ducting information for proper installation.

Note: Dryer wall outlet must be located within 36" of service cord entry and accessible when dryer is mounted in position.

Installation Information: For complete information, see installation instructions packed with your dryer.

For answers to your Monogram®, GE Profile™ or GE® appliance questions, visit our website at geappliances.com or call GE Answer Center® service, 800.626.2000.

Power Cord Locations 7.8 cu. ft. dryers



imagination at work



GTDS820/825GD

GE® 7.8 cu. ft. capacity gas dryer with stainless steel drum and steam

For complete information, see installation instructions packed with your dryer.

Ducting Materials:

For best performance, this dryer should be vented with 4" diameter all rigid metal exhaust duct. If rigid metal duct cannot be used, then UL-listed flexible metal (semi-rigid) ducting can be used (Kit WX08X10077). In special installations, it may be necessary to connect the dryer to the house vent using a flexible metal (foil-type) duct. A UL-listed flexible metal (foil-type) duct may be used ONLY in installations where rigid metal or flexible metal (semi-rigid) ducting cannot be used AND where a 4" diameter can be maintained throughout the entire length of the transition duct. Please see installation instruction packed with your dryer for complete instructions when using flexible metal (foil type) ducting.

Exhaust Length Calculation:

1. Determine the number of 90° turns needed for your installation. If you exhaust to the side or bottom of dryer, add one turn.
2. The maximum length of 4" rigid (aluminum or galvanized) duct which can be tolerated is shown in the table. A turn of 45° or less may be ignored. Two 45° turns within the duct length should be treated as a 90° elbow. A turn over 45° should be treated as a 90° elbow.

Dryers **must** be exhausted to the outside.

Caution: For personal safety do not terminate exhaust into a chimney, under any enclosed house floor (crawl space), or into an attic, since the accumulated lint could create a fire hazard or moisture could cause damage. Never terminate the exhaust into a common duct or plenum with a kitchen exhaust, since the combination of lint and grease could create a fire hazard.

Exhaust ducts should be terminated in a dampered wall cap to prevent back drafts, bird nesting, etc. The wall cap must also be located at least 12" above the ground or any other obstruction with the opening pointed down.

For more information on venting kits and accessories, please call 1-800-GE-CARES.



Special Installation Requirements

Alcove or Closet Installation:

- If your dryer is approved for installation in an alcove or closet, it will be stated on a label on the dryer back.
- The dryer **MUST** be exhausted to the outside.
- Minimum clearances between dryer cabinet and adjacent walls or other surfaces are: 0" either side; 3" front and rear
- Minimum vertical space from floor to overhead cabinets, ceilings, etc. is 52".
- Closet doors must be louvered or otherwise ventilated and must contain a minimum of 60 sq. in. of open area equally distributed. If this closet contains both a washer and a dryer, doors must contain a minimum of 120 sq. in. of open area equally distributed.
- No other fuel-burning appliance shall be installed in the same closet with a gas dryer.

Bathroom or Bedroom Installation:

- The dryer **MUST** be exhausted to the outdoors.
- The installation must conform with the local codes, or in the absence of local codes, with the National Electric Code and National Fuel Gas Code, ANSI Z223 for gas dryers.

Minimum Clearances other than Alcove or Closet Installation:

- Minimum clearances to combustible surfaces are: 0" both sides; 3" rear

Dryer Exhausting Information: Use metal duct only, vertical and horizontal ducting.

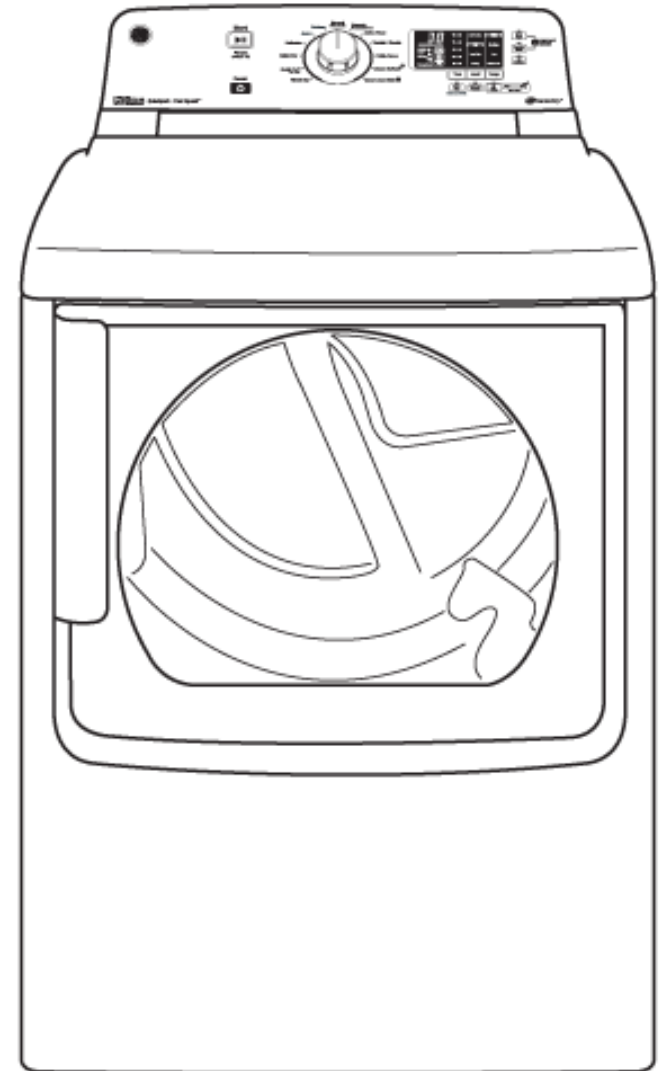
		Best performance	
		Maximum length of 4" dia. rigid metal duct	
		Exhaust hood type	
		A	B
		4" opening	2-1/2" opening
Domestic dryer models	Number of 90° turns		
7.5 cu. ft. capacity electric and gas dryers	0	90 ft.	60 ft.
7.8 (except GTDL740)	1	60 ft.	45 ft.
7.0 and 6.0 cu. ft. capacity models	2	45 ft.	35 ft.
all electric dryers	3	35 ft.	25 ft.
	4	25 ft.	15 ft.
7.8 (except GTDL740), 7.0 and 6.0 cu. ft. capacity models all gas dryers DCVH480EK	0	90 ft.	60 ft.
	1	60 ft.	45 ft.
	2	45 ft.	35 ft.
	3	35 ft.	25 ft.

GTDS820/825GD

GE® 7.8 cu. ft. capacity gas dryer with stainless steel drum and steam

Features and Benefits

- Steam Refresh - Rejuvenate lightly worn clothes by getting rid of wrinkles and odors with this convenient setting using the power of steam
- Steam Dewrinkle - Stored or wrinkled clothes come out wrinkle-free with this helpful setting that uses steam to refresh and dry a load of any size
- HE SensorDry™ - Keep your clothes looking and feeling their best with dual thermistors that continually sense and monitor moisture and temperature to prevent over-drying
- CleanSpeak™ Communication System - Perfect drying performance is achievable thanks to the ability of the washer to communicate with the dryer to preset the dry cycle
- My Settings - Dry clothes with the settings you prefer on any cycle, rather than the defaults, and store your settings for later use
- 5 heat selections provide the right temperatures for your clothes-drying needs
- Speed Dry quickly dries items and small loads for families on the go
- eMonitor - Get the energy-saving insight you need to reduce your utility bills with an electronic readout that shows the efficiency level of each load
- eDry™ - Save up to 10% on energy costs without sacrificing drying performance, thanks to this option that reduces temperatures on select cycles
- Model GTDS820GDWS - White on white
- Model GTDS825GDMC - Metallic carbon



imagination at work