

# Shower Valve Model 3027J Rough for Models C4, C4-CL, CC4, B4, BB4, E4, F4 & D4

## INSTALLATION (FIG. 1/2/3)

**Step 1** Pay special attention to the rough-in guide on the black plastic mortar shield for the minimum and maximum depth (Fig. 2) of the finished wall surface.

If the valve is roughed in too deep the finish trim will not install properly and an extension kit will need to be purchased.

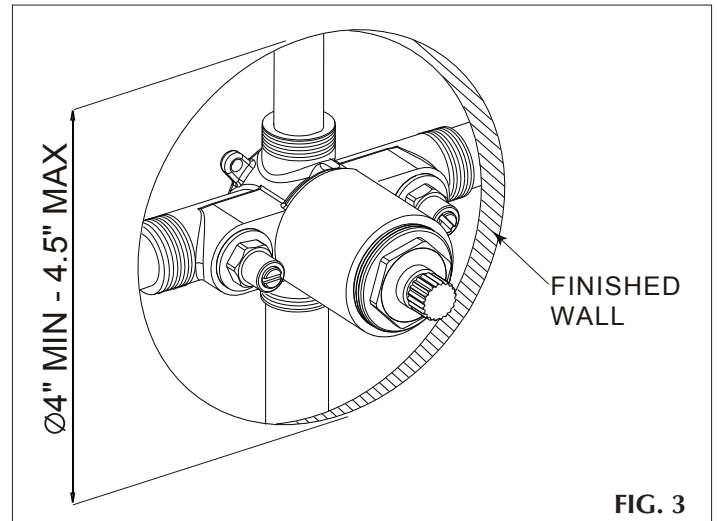
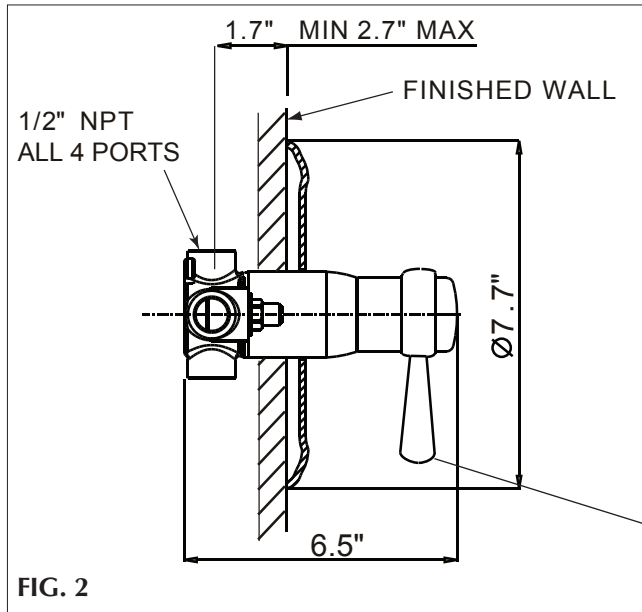
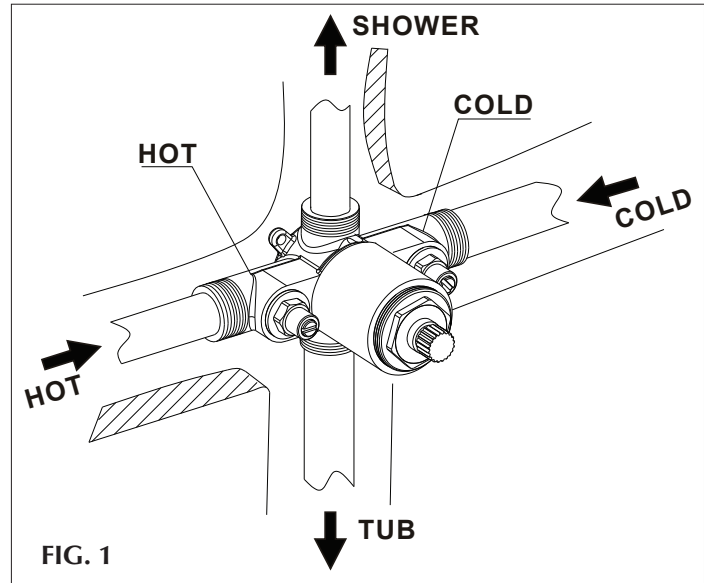
**Step 2** Install valve body as per Fig. 1 according to local plumbing codes and height requirements.

For shower only application (Fig 5) plug bottom tub outlet port with a 1/2" brass pipe cap (included).

**Warning:** If copper piping is used do not apply heat directly to valve body as heat can cause internal damage and void the warranty.

**Step 3** Make sure the opening in the finished wall is the correct size for access to the ceramic cartridge and integral stop valves (Fig. 3).

**Step 4** Pressure test valve and all fittings for leaks before closing finished wall.



SUPPLIED HANDLE AND DIMENSIONS APPEARANCE MAY VARY FROM ONE SHOWN

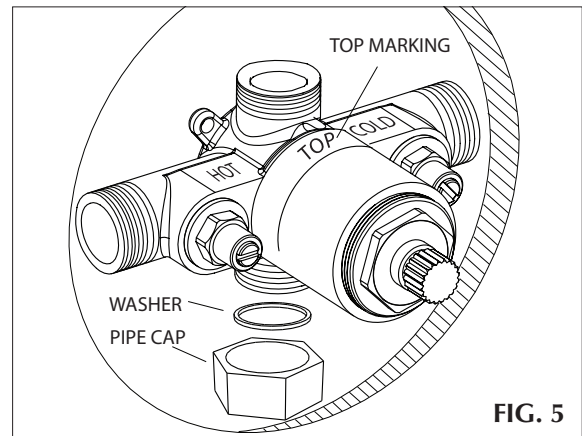
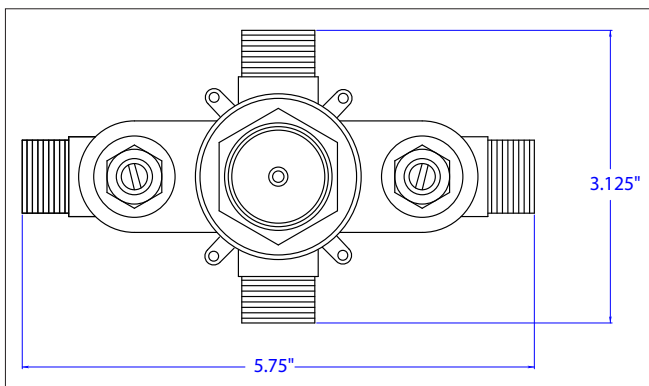


FIG. 4

FIG. 5

# Giagni



For additional assistance or service call: **1 888 560-5222 USA 8 a.m. to 6 p.m. EST Monday-Sunday**

# Shower Valve Model 3027J Rough for Models C4, C4-CL, CC4, B4, BB4, E4, F4 & D4

**Temperature Limit Stop Ring-** Stop ring is set at maximum opening range for hot water flow (Fig. 5 & 6).

If it should ever need to be adjusted to reduce the hot water temperature shut off hot and cold water supplies.

Remove handle and unscrew handle dome, then unscrew brass cartridge nut CLN.

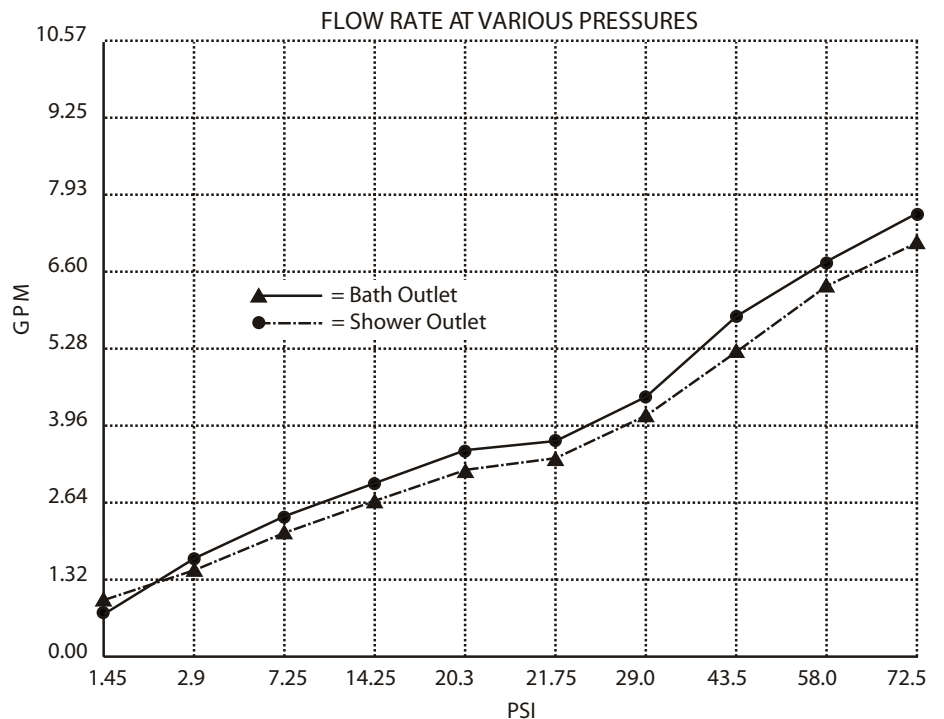
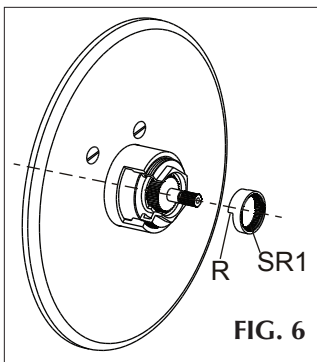
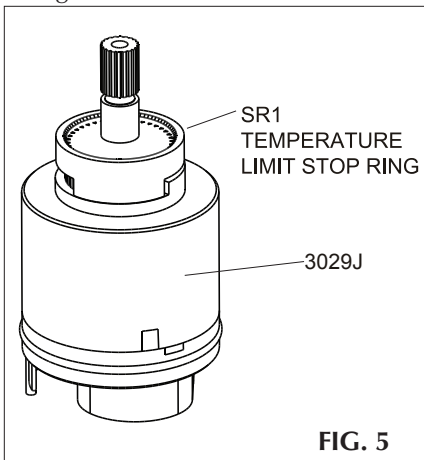
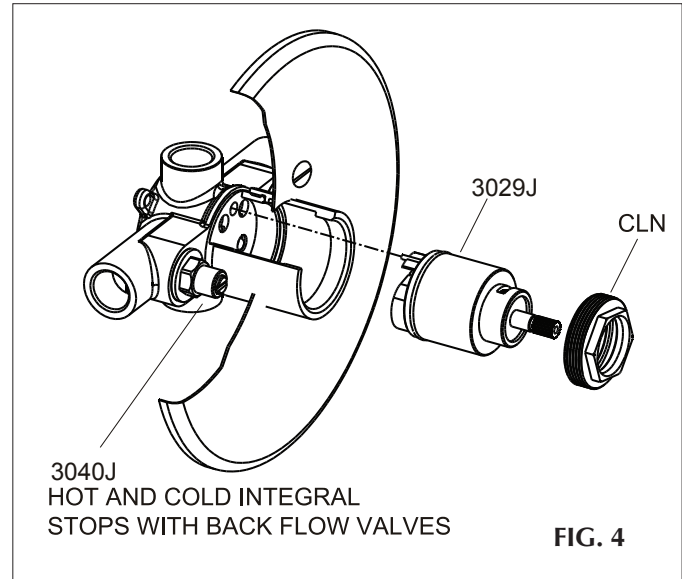
With the cartridge in the off position pull off gray plastic stop ring SRI and rotate counter clockwise to desired hot stop position, use small notch R for reference.

Replace cartridge nut snugly and do not over tighten, then replace handle trim.

**Removing Ceramic Cartridge** Shut off hot and cold water supplies, remove handle and unscrew handle dome.

Unscrew brass cartridge nut CLN and pull cartridge straight out.

When replacing cartridge the locating pin must be in the top position to align with small center round hole inside valve body (Fig. 4).



**Pressure and flow rate chart**

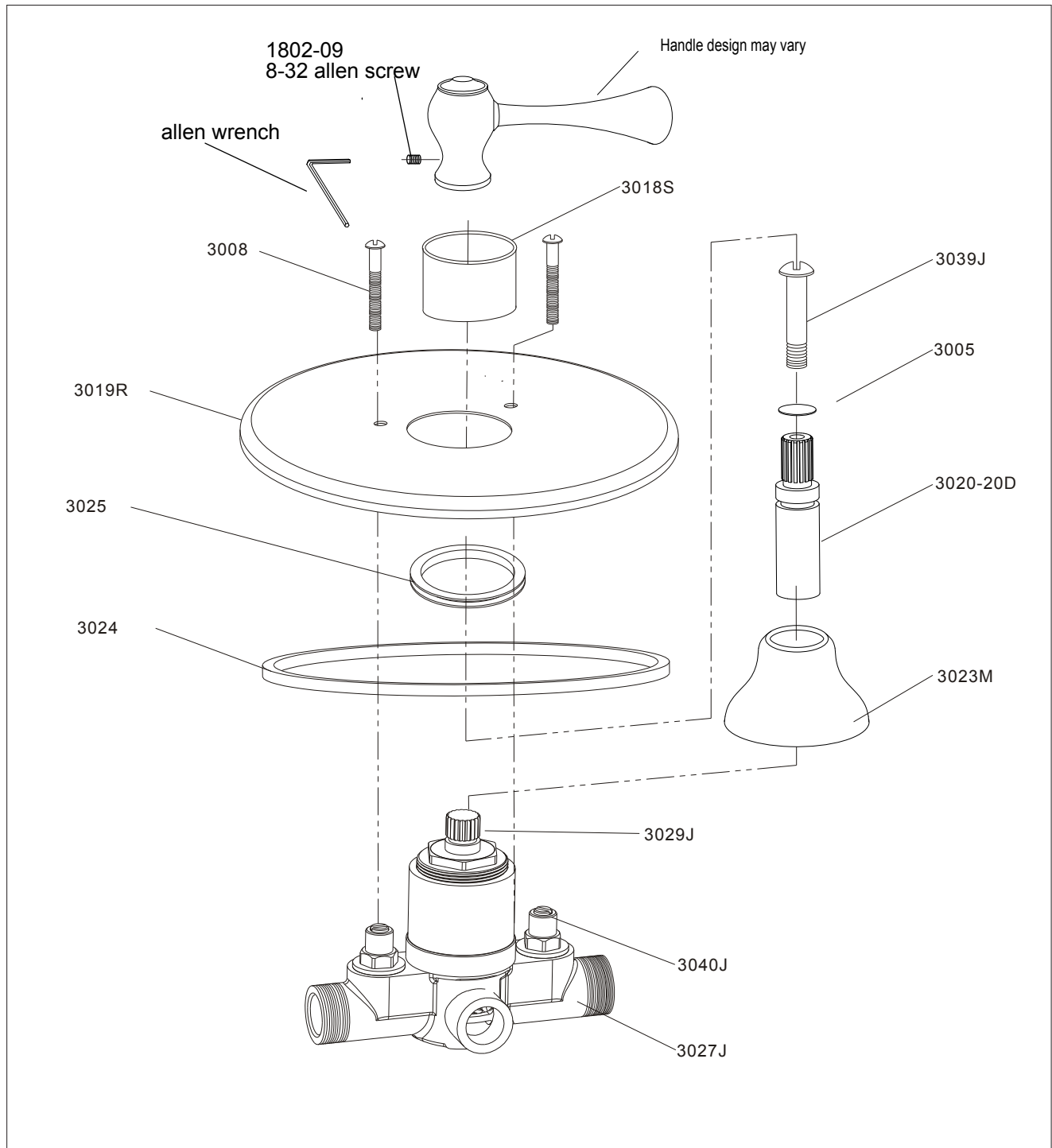
	Tub Outlet									
Pressure(PSI)	1.45	2.9	7.25	14.25	20.3	21.75	29.0	43.5	58.0	72.5
Flow Rate(GPM)	0.87	1.48	2.41	2.85	3.49	3.7	4.44	5.7	6.87	7.66
	Shower Outlet									
Pressure(PSI)	1.45	2.9	7.25	14.25	20.3	21.75	29.0	43.5	58.0	72.5
Flow Rate(GPM)	0.95	1.37	2.14	2.64	3.17	3.3	4.01	5.23	6.07	6.94

# Giagni



For additional assistance or service call: **1 888 560-5222 USA 8 a.m. to 6 p.m. EST Monday-Sunday**

# Installation Instructions for Pressure Balance Shower Valve Trim for Models C4, C4-CL, CC4, B4, BB4, E4, F4 & D4



# Giagni



For additional assistance or service call: **1 888 560-5222 USA 8 a.m. to 6 p.m. EST Monday-Sunday**