

Bracchiano

Wall Mount Pot Filler

Model KPT100



Features


- Single Control
- Lever Handle
- Solid Brass Construction
- Ceramic Disc Cartridge
- PVD Anti-Tarnish Finish (noted by #)
- Limited Lifetime Warranty
- Spout extends 22½" for easy use over front or rear burner

Codes/Standards

Specified model meets or exceeds:

- ASME/ANSI A112.18.1M
- CSA B125
- ADA compliance to ANSI A117.1
- NSF 61
- IAPMO/UPC listed
- AB1953 Low Lead

Specified Models:

Model No.	Product Description
 KPT100	Traditional Wall Mount Pot Filler Faucet

Finish Codes:

* Bracchiano Series Finish Codes (Add to base model number, Example: KPT100-SS)	
Polished Chrome	PC
#Stainless Steel	SS
#Oil Rubbed Bronze	ORB
# = PVD Finish	

Giagni reserves the right to make specification and pricing changes without notice or obligation, and to change or discontinue models and finishes.

Giagni

1 of 2

548 South Columbus Avenue • Mount Vernon, New York 10550 • 1-888-560-5222 • www.giagni.com

KPT100 (10/15/09) All rights reserved. © Giagni 2009

Bracchiano

Wall Mount Pot Filler

Model KPT100

Technical Information

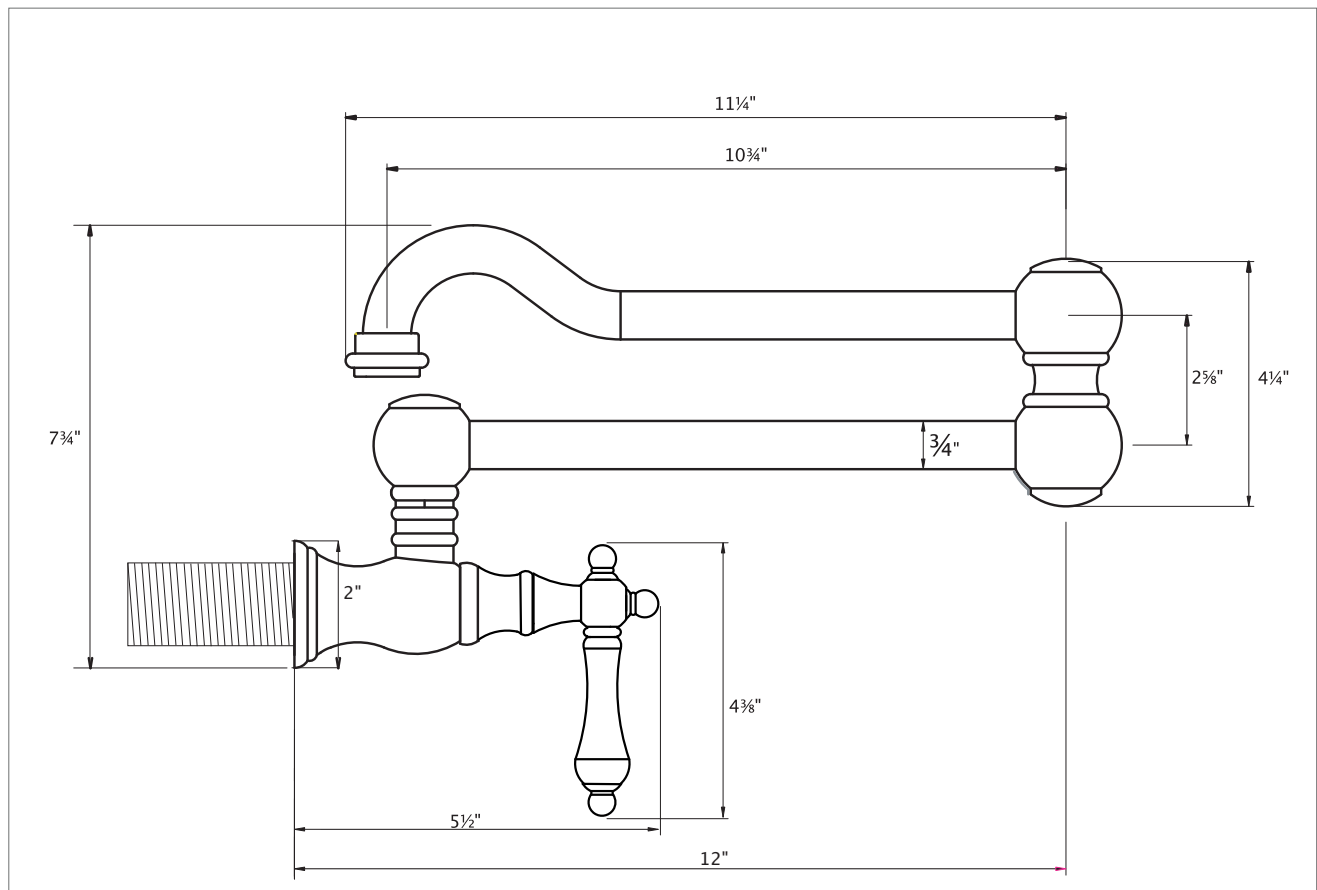
- Replacement parts available
- Toll-free helpline: 888-560-5222
- 6 gpm (23L) @ 60 psi (4Kg/sq. cm)
- Spout swings 360 degrees

Installation Notes

- Mounts in one hole, 1 $\frac{3}{8}$ " to 1 $\frac{3}{4}$ " diameter
- Connects to $\frac{1}{2}$ " pipe nipple
- Customer is to determine installation height depending on cabinet clearance, pot size and stove height
- This faucet should be installed by a qualified licensed plumber in accordance with all local city and state plumbing codes
- Install a supply stop valve on cold water line where accessible then route water supply
- For use with cold water only

Warranty

Limited lifetime function and finish warranty to the original consumer purchaser covering defects in material and workmanship.
5 Year limited warranty for all industrial and commercial applications. See complete warranty statement for details.



Giagni reserves the right to make specification and pricing changes without notice or obligation, and to change or discontinue models and finishes.