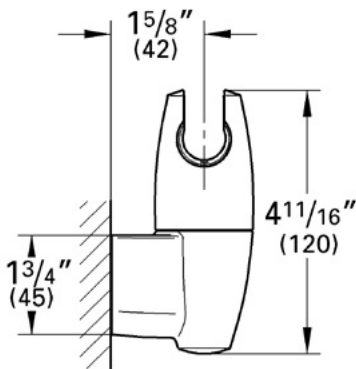
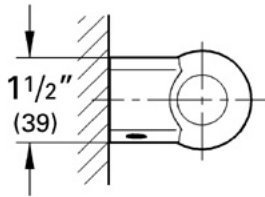


Accessories 28 401

Adjustable Hand Shower Holder



Description

Wall mounted
Allows hand shower angle adjustment

Flow Rate

NA

Code Compliance

* ASME/ANSI A112.18.M

Finish Options

28 401 OOO Chrome
28 401 ROO Infinity Polished Brass
28 401 AVO Infinity Satin Nickel
28 401 RRO Velour Chrome
28 401 BEO Sterling Infinity Finish
28 401 ENO Infinity Brushed Nickel
28 401 ZBO Oil Rubbed Bronze