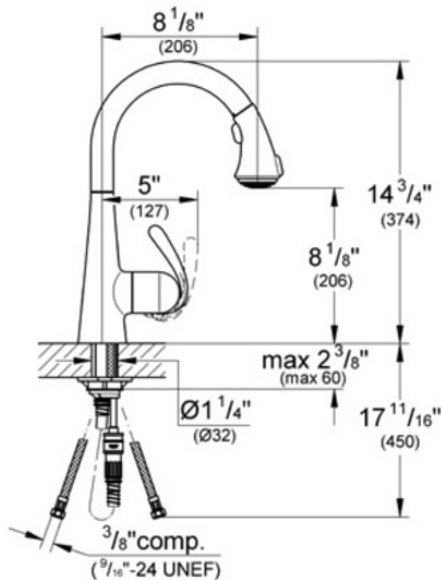


## 32 298 Main Sink Dual Spray Pull-Down



### Description

Grohe RealSteel® Stainless Steel Construction- produced from solid, Grade 304 stainless steel (SD0, KDO only)  
000, DCO=Solid Brass Body  
GROHE SilkMove® Ceramic Cartridge  
SpeedClean® Anti-Lime System  
Convenient Dual Spray Trigger-- hold and release on/off spray control  
Stainless Steel Braided Flexible Supplies  
Quick Installation System  
Single Lever Handle  
Forward Rotation Lever, does not hit backsplash  
8 1/8" Spout Reach



### Flow Rate

2.2 gpm at 45 psi, 2.5 gpm at 80 psi  
(9.5 lpm)

### Code Compliance

ASME/ANSI A112.18.1M  
ANSI/NSF Standard 61  
ADA Compliant

### Finish Options

32 298 OOO Starlight® Chrome  
32 298 SDO Stainless Steel  
32 298 KDO Stainless Steel/Black  
32 298 DCO SuperSteel