

19 724 Pressure Balance Valve trim



Description

Lever handle

For use with Grohsafe® Pressure Balance Rough-In Valve 35 015 (sold separately)

Flow Rate

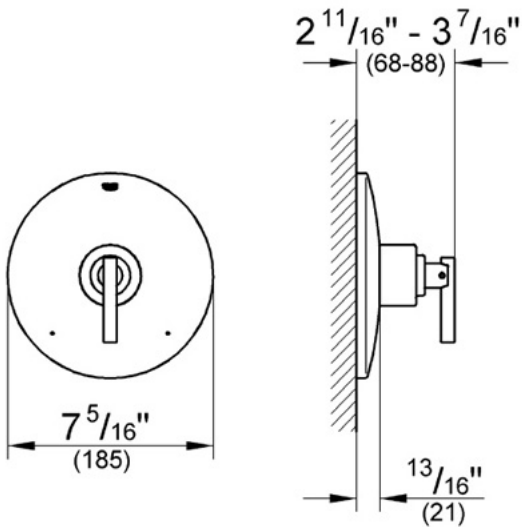
NA

Code Compliance

ADA Compliant

Finish Options

- 19 724 OOO Starlight® Chrome
- 19 724 AVO Infinity Satin Nickel
- 19 724 BEO Sterling Infinity Finish
- 19 724 ENO Infinity Brushed Nickel



Atrio 13 164

Wall Mount Tub Spout



Description

6 1/2" wall mount spout
1/2" inlet

Flow Rate

N/A

Code Compliance

* ASME/ANSI A112.18.M

Finish Options

- 13 164 OOO Chrome
- 13 164 AVO Infinity Satin Nickel
- 13 164 BEO Sterling Infinity Finish
- 13 164 ENO Infinity Brushed Nickel

