

19 867 Timeless Dual Function Pressure Balance Trim with Control Module



Description

For shower/tubs with non-diverter tub spout or for 2 shower outlet applications
 Integrated volume control
 2-way diverter function
 1 axis operation

For use with GrohFlex Universal Rough-In Box 35 026 000 sold separately.

Flow Rate

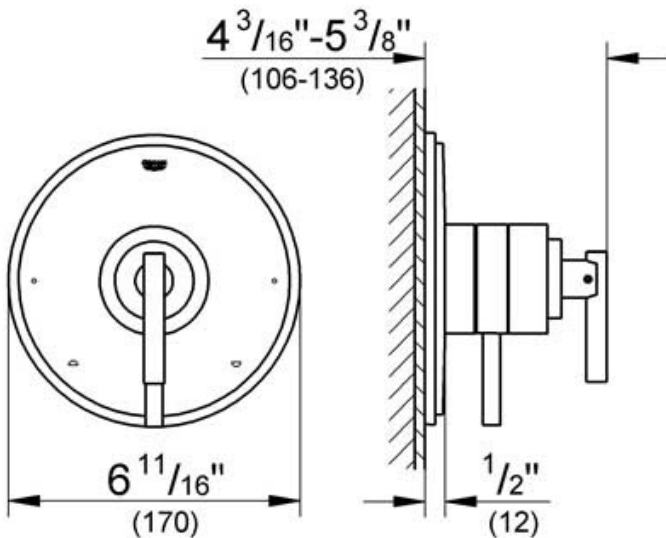
5.6 gpm at 45 psi (21.2 l/min)

Code Compliance

ASME/ANSI A112.18.1M
 CSA Standard B125.1-05
 ADA Compliant

Available Finishes

000 Starlight® Chrome
 EN0 Infinity Brushed Nickel



27 247 Massage Shower Head



Description

3 spray patterns
1/2" Female Threads
Grohe DreamSpray® Technology
Grohe SprayDimmer (reduces flow)
Speedclean® Anti-Lime System
Spray Adjustable: Normal/Eco/Massage

Flow Rate

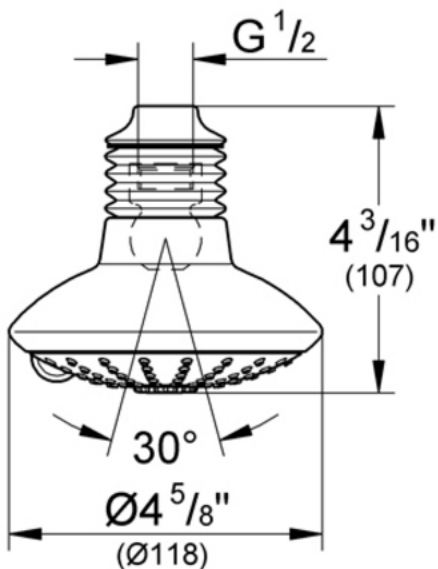
2.5 gpm at 80 psi (9.5 lpm)

Code Compliance

ASME/ANSI A112.18.1M

Finish Options

27 247 000 Starlight® Chrome



Accessories 27 414

Tubular shower arm



Description

5 5/8" tubular shower arm
with flange
1/2" male threads

Flow Rate

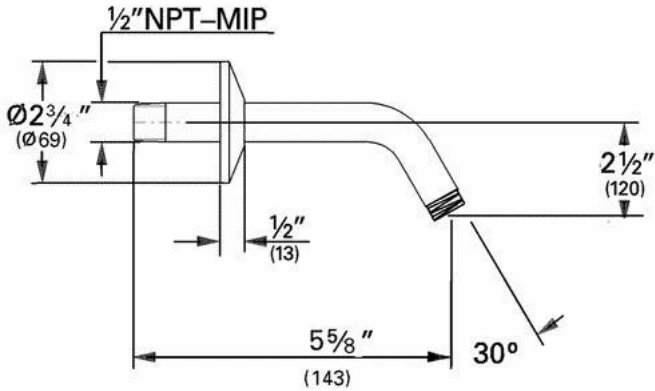
N/A

Code Compliance

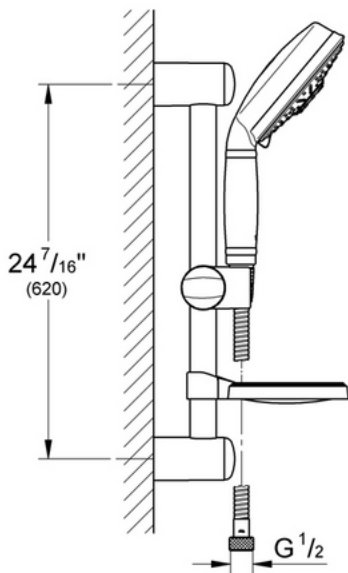
* ASME/ANSI A112.18.M

Finish Options

27 414 000 Chrome



27 140 Shower Set



Description

Rainshower Rustic Hand-Held (27 129)
3 spray patterns: Rain, Jet, Laminar
GROHE DreamSpray® Technology
SpeedClean® Anti-Lime System
24" adjustable height shower bar
59" shower hose
Universal tray
Swivel hand shower holder

Flow Rate

N/A

Code Compliance

ASME/ANSI A112.18.1M

Finish Options

27 140 OOO Starlight® Chrome
27 140 BEO Sterling Infinity Finish
27 140 ENO Infinity Brushed Nickel
27 140 ZBO Oil Rubbed Bronze

Accessories 28 672

Hand shower wall union



Description

Wall mount hand shower union
1/2" NPT female threads

Flow Rate

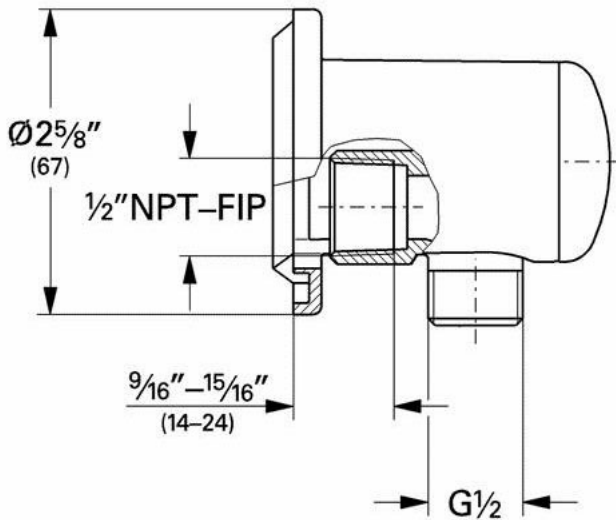
N/A

Code Compliance

* ASME/ANSI A112.18.M

Finish Options

28 672 000 Chrome



35 026 Universal Rough-In Box



Description

- 1/2" inlets and outlets
- Fixing points for front and back wall
- Leakproof housing
- Integrated service stops
- Flushing plug
- Removable protection cover with installation information

For use with the GrohFlex Bathroom Solution Kits (sold separately): Single Function, Dual Function, or Custom Shower.

Flow Rate

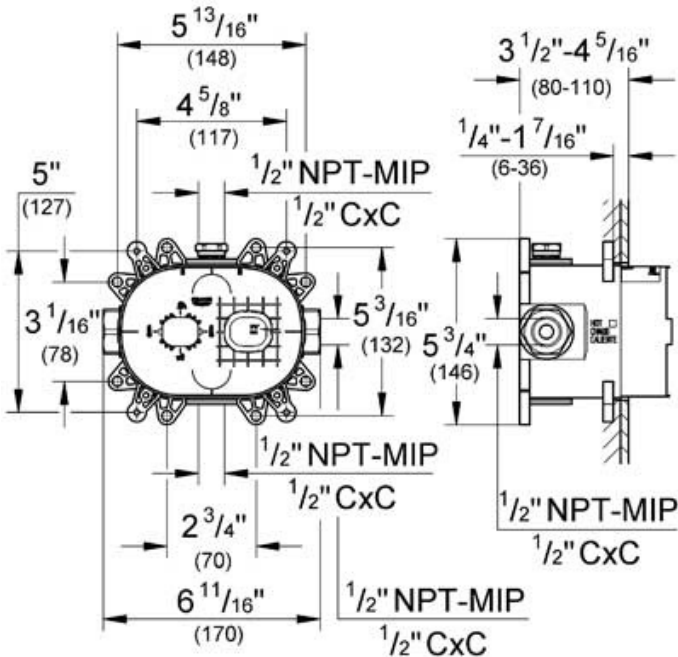
N/A

Code Compliance

ASME/ANSI A112.18.1M
CSA Standard B125.1-05

Available Finishes

000 Rough-In





Description

Wall union for hand shower hose connection
1/2" NPT female thread inlet

Flow Rate

N/A

Code Compliance

* ASME/ANSI A112.18.M

Finish Options

- 28 627 OOO Chrome
- 28 627 ROO Infinity Polished Brass
- 28 627 AVO Infinity Satin Nickel
- 28 627 RRO Velour Chrome
- 28 627 ENO Infinity Brushed Nickel

