

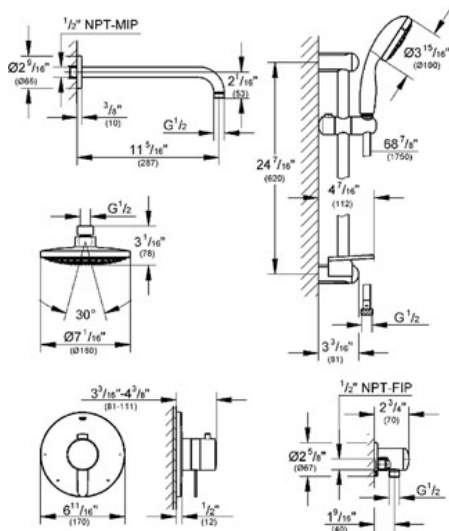
GROHFLEX SHOWER SET

35051

Pure Freude an Wasser

GROHE

GROHE America, Inc | 200 North Gary Avenue, Suite G, Roselle, IL 60172
Phone: +1 (800) 444-7643 | Fax: +1 (800) 225-2778 | us-customerservice@grohe.com



Cosmopolitan PBV

- Shower combination
 - Consisting of:
 - Euphoria® Cosmopolitan shower head $7\frac{1}{16}$ " (27 492)
 - Rainshower™ 12" shower arm (28 577)
 - GrohFlex® shower/hand shower PBV trim & valve (19 881)
 - New Tempesta® IV shower set (28 436)
 - Relaxa® wall union (28 672 000 / 28 627 EN0)
- Requires GrohFlex® Universal Rough-In Box (35 026)

Color:

- 35051 000 chrome