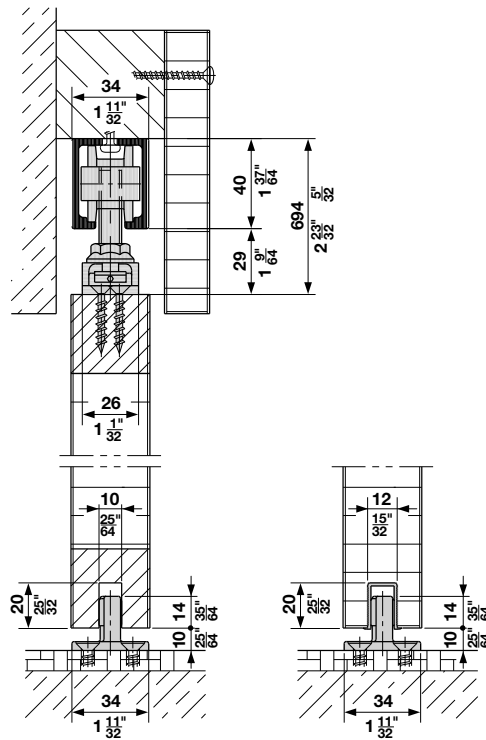
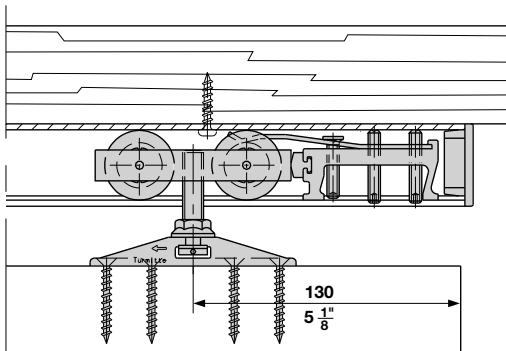
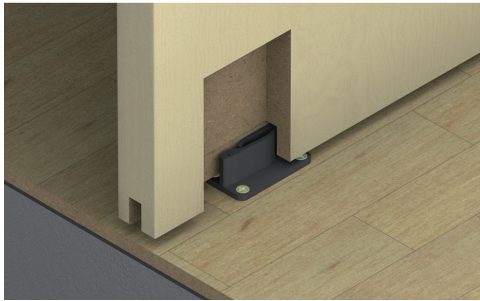
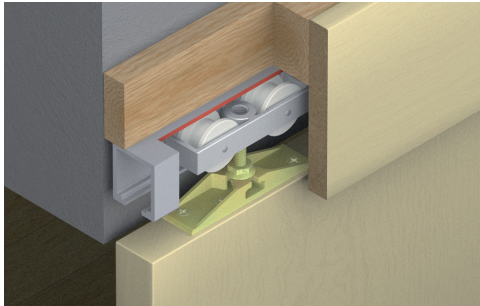


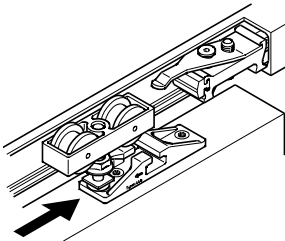
## Top Hung System

### HAWA-Junior 80/Z

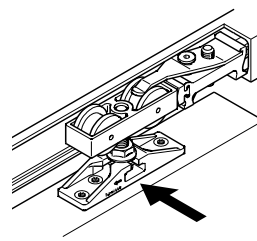
- For 1 and 2 sliding wood doors
- Smooth quiet operation
- Outstanding durability
- Rattle-free bottom guide
- Simple installation
- Special two-way suspension
- Vertically and laterally adjustable
- Door stop with adjustable retention spring
- Maximum door weight: **80 kg** (176 lbs.)
- Minimum door thickness: **26 mm** (1")



The two-way suspension bracket allows the door leaf to be hung and to be taken off in two different ways:



**1. From the side**  
Fixed pocket cover doesn't have to be removed  
Cover plate above opening has to be removable



**2. From the front**

Dimensions in mm are exact  
Inches are approximate