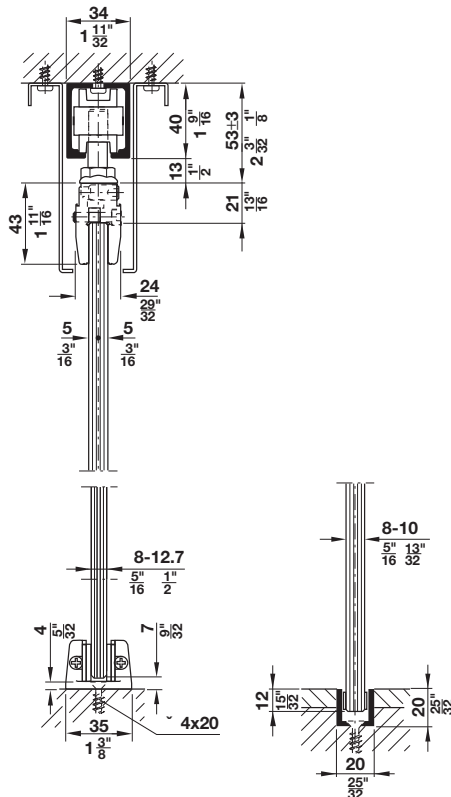
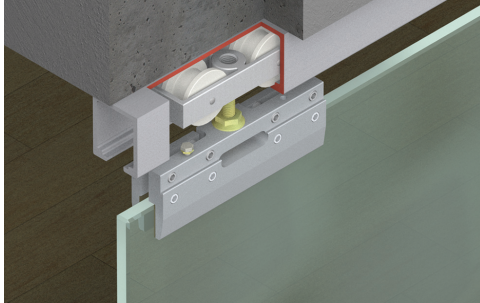


Top Hung System

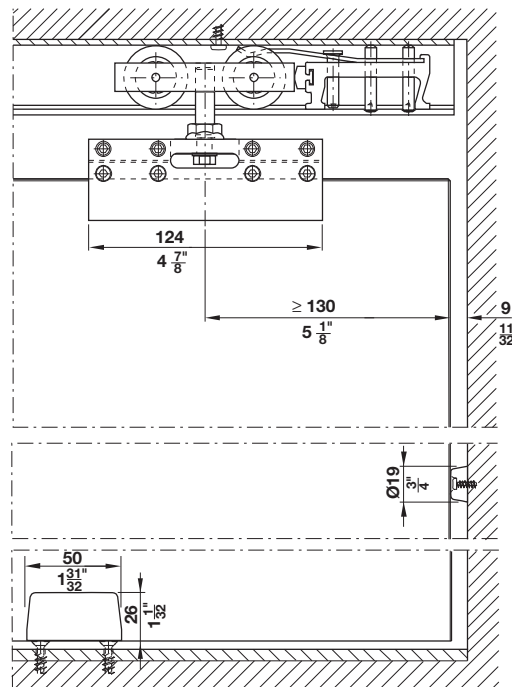
HAWA-Junior 80/GS

- For 1 and 2 sliding glass doors
- Smooth, quiet operation
- Maintenance-free
- Rattle-free bottom guide
- Simple installation
- No glass cut-outs required
- Vertical adjustment without removing the glass door
- Maximum door weight: **80 kg** (176 lbs.)
- For glass thickness: **6 - 12.7 mm** (1/4" - 1/2")



Installation Tips

When using 2 sliding doors on the same track, please make sure that glass panels do not collide. Please use a lower guide channel with a door stopper or use protective edge trim.



Dimensions in mm are exact
Inches are approximate

Dimensional data not binding. We reserve the right to alter specifications without notice.