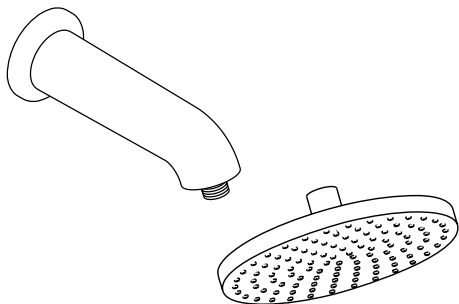


Installation Instructions / Warranty



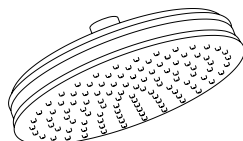
Terrano Showerhead 28485XX1

Steel Showerhead 28484801

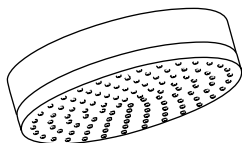
Arco/Starck/Steel/Uno

Air Showerhead 28494XX1

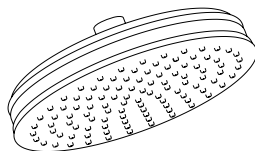
Terrano Shower Arm 27448XX1



Phoenix Showerhead 28487XX1



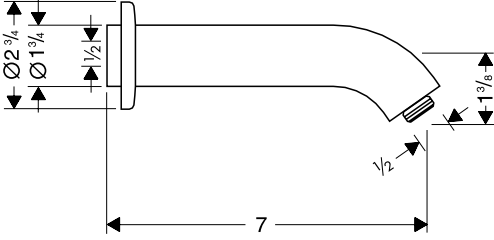
Citterio Showerhead 28489XX1



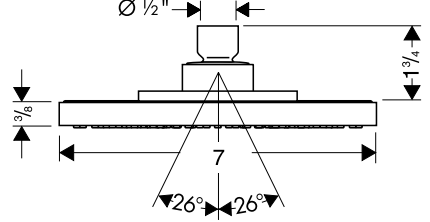
Carlton Showerhead 28474XX1

AXOR[®]
hansgrohe

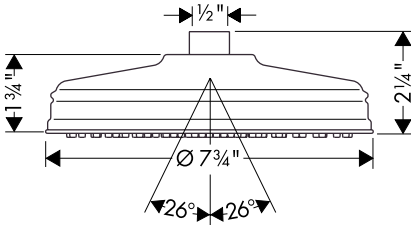
Terrano Shower Arm 27448XX1



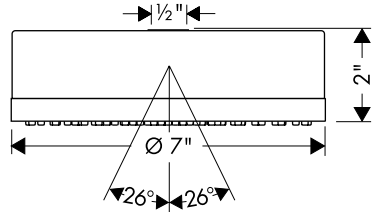
Terrano Showerhead 28485XX1
Steel Showerhead 28484801



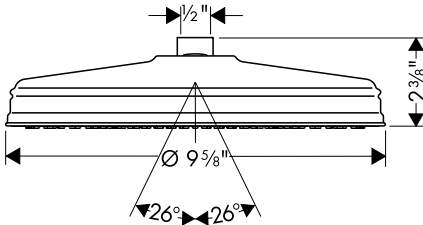
Phoenix Showerhead 28487XX1



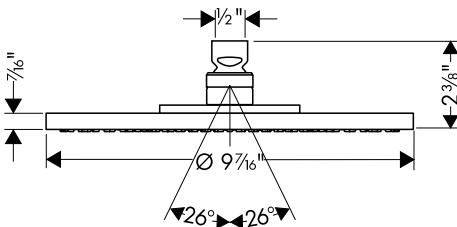
Citterio Showerhead 28489XX1



Carlton Showerhead 28474XX1



Arco/Starck/Steel/Uno Air Showerhead 28494XX1



Product Information:

Maximum flow rate	2.5 gpm
Recommended working water pressure	45 - 72 PS

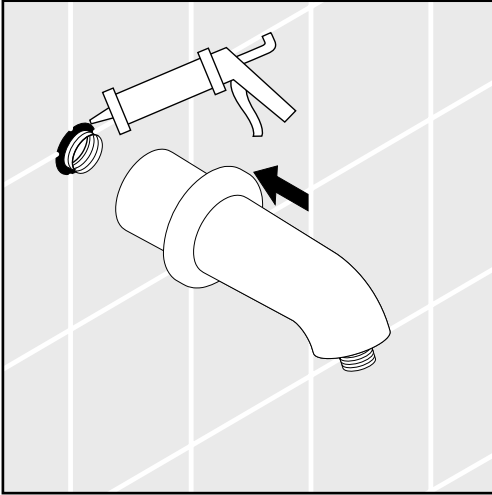
Installation Considerations:

Due to the size and configuration of the 28485 showerhead, we recommend that it be installed only with the 27448 shower arm.

Installation of the shower arm requires a 1/2" male nipple, extending 3/8" from the surface of the finished wall.

We recommend the installation of a properly anchored drop-ear ell, into which a nipple of the proper length can be installed when the finished wall is complete.

Installation Instructions:

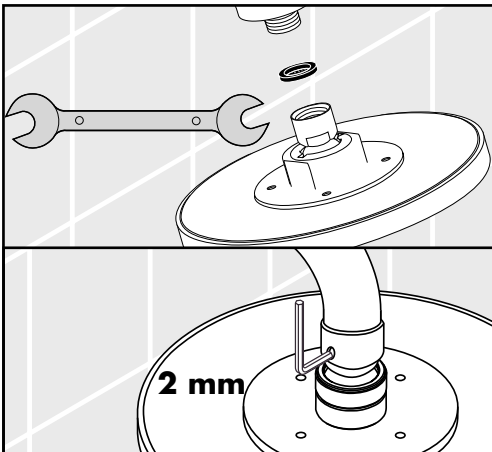


Wrap both ends of the pipe nipple with teflon™ tape. Screw one end into the drop-ear ell.

Seal the wall around the nipple with silicone bathroom sealer.

Screw the arm onto the pipe nipple.

If a final tightening by wrench is desired, wrap the arm with a cloth to prevent damage to the finish, or use a strap wrench.



Confirm that the filter gasket is in place in the pivot ball of the showerhead. Thread the showerhead by hand onto the arm. Teflon™ tape is not required, but can be used if desired.

Use an adjustable wrench to finish tightening the showerhead onto the arm. Take care not to over-tighten, or damage to the showerhead may result.

Secure the showerhead with the hollow set screw. (allenwrench = 3 mm)

Cleaning Instructions:

The spray channels in this showerhead use the Rub-it!TM self cleaning system. If mineral build-up is noticed, turn the water on lightly and rub the silicone nozzles gently with a sponge or with your finger.

Clean with a mild soap and water solution and a soft cloth. Rinse well with clear water and polish dry with a soft cloth. Do not use cleaners containing acids, abrasives, or solvents. Damage caused by improper cleaning is not covered under the Hansgrohe warranty.

Limited Lifetime Consumer Warranty

This product has been manufactured and tested to the highest quality standards by Hansgrohe, Inc. ("Hansgrohe"). This warranty is limited to Hansgrohe products which are purchased by a consumer in the United States after March 1, 1996, and installed in either the United States or Canada.

WHO IS COVERED BY THE WARRANTY

This warranty extends to the original consumer purchaser only.

WHAT IS COVERED BY THE WARRANTY

This warranty covers only your Hansgrohe manufactured product. Hansgrohe warrants this product against defects in material or workmanship as follows: Hansgrohe will repair at no charge for parts only or, at its option, replace any product or part of the product which proves defective because of improper workmanship and/or material, under normal installation, use, service and maintenance. If Hansgrohe is unable to provide a replacement and repair is not practical or cannot be timely made, Hansgrohe may elect to refund the purchase price in exchange for the return of the product.

LENGTH OF WARRANTY

Replacement or repaired parts of products will be covered for the term of this warranty as stated in the following two sentences. If you are a consumer who purchased the product for use primarily for personal, family, or household purposes, this warranty extends for as long as you own the product and the home in which the product is installed. If you purchased the product for use primarily for any other purpose, including, without limitation, a commercial purpose, this warranty extends only (i) for 1 year, with respect to Interaktiv and Retroaktiv products, and (ii) for 5 years, with respect to AXOR, ShowerPower and Pharo products.

THIS WARRANTY DOES NOT COVER, AND HANSGROHE WILL NOT PAY FOR:

- A. Conditions, malfunctions or damage not resulting from defects in material or workmanship.
- B. Conditions, malfunctions or damage resulting from (1) improper installation, improper maintenance, misuse, abuse, negligence, accident or alteration, or (2) the use of abrasive or caustic cleaning agents or "no rinse" cleaning products, or the use of the product in any manner contrary to the product instructions.
- C. Labor or other expenses for the disconnection or return of the product for warranty service, or for installation or reinstallation of the product.
- D. Accessories or related products not manufactured by Hansgrohe.

TO OBTAIN WARRANTY SERVICE

Contact your Hansgrohe retailer, or write to Technical Service at:

Hansgrohe Inc.
1492 Bluegrass Lakes Parkway
Alpharetta GA 30004

Or, call Hansgrohe toll-free at (800) 334-0455.

In requesting warranty service, you will need to provide

- 1. The sales receipt or other evidence of the date and place of purchase.
- 2. A description of the problem.
- 3. Delivery of the product or the defective part, postage prepaid and carefully packed and insured, to Hansgrohe Inc. 1492 Bluegrass Lakes Parkway, Alpharetta, Georgia 30004, Attention: Technical Service, if required by Hansgrohe.

When warranty service is completed, any repaired or replacement product or part will be returned to you postage prepaid.

EXCLUSIONS AND LIMITATIONS

REPAIR OR REPLACEMENT (OR, IN LIMITED CIRCUMSTANCES, REFUND OF THE PURCHASE PRICE) AS PROVIDED UNDER THIS WARRANTY IS THE EXCLUSIVE REMEDY OF THE PURCHASER. HANSGROHE NEITHER ASSUMES NOR AUTHORIZES ANY PERSON TO CREATE FOR IT ANY OBLIGATION OR LIABILITY IN CONNECTION WITH THIS PRODUCT.

HANSGROHE SHALL NOT BE LIABLE TO PURCHASER OR ANY PERSON FOR ANY INCIDENTAL, SPECIAL, OR CONSEQUENTIAL DAMAGES, ARISING OUT OF BREACH OF THIS WARRANTY OR ANY IMPLIED WARRANTY (INCLUDING MERCHANTABILITY).

Some States do not allow the exclusion or limitation of incidental or consequential damages, so the above limitation or exclusion may not apply to you.

This warranty gives you specific legal rights, and you may have other rights which vary from State to State.

You may be required by law to give us a reasonable opportunity to correct or cure any failure to comply before you can bring any action in court against us under the Magnuson-Moss Warranty Act.

PRODUCT INSTRUCTIONS AND QUESTIONS

Upon purchase or prior to installation, please carefully inspect your Hansgrohe product for any damage or visible defect. Prior to installing, always carefully study the enclosed instructions on the proper installation and the care and maintenance of the product. If you have questions at any time about the use, installation, or performance of your Hansgrohe product, or this warranty, please call or write to us at the toll-free number and address printed above.

hansgrohe

AXOR | PHÄRO

Hansgrohe Inc. 1490 Bluegrass Lakes Parkway Alpharetta GA 30004
Phone 770 360 9880 Internet www.Hansgrohe-USA.com

05/2006
9.08971.07